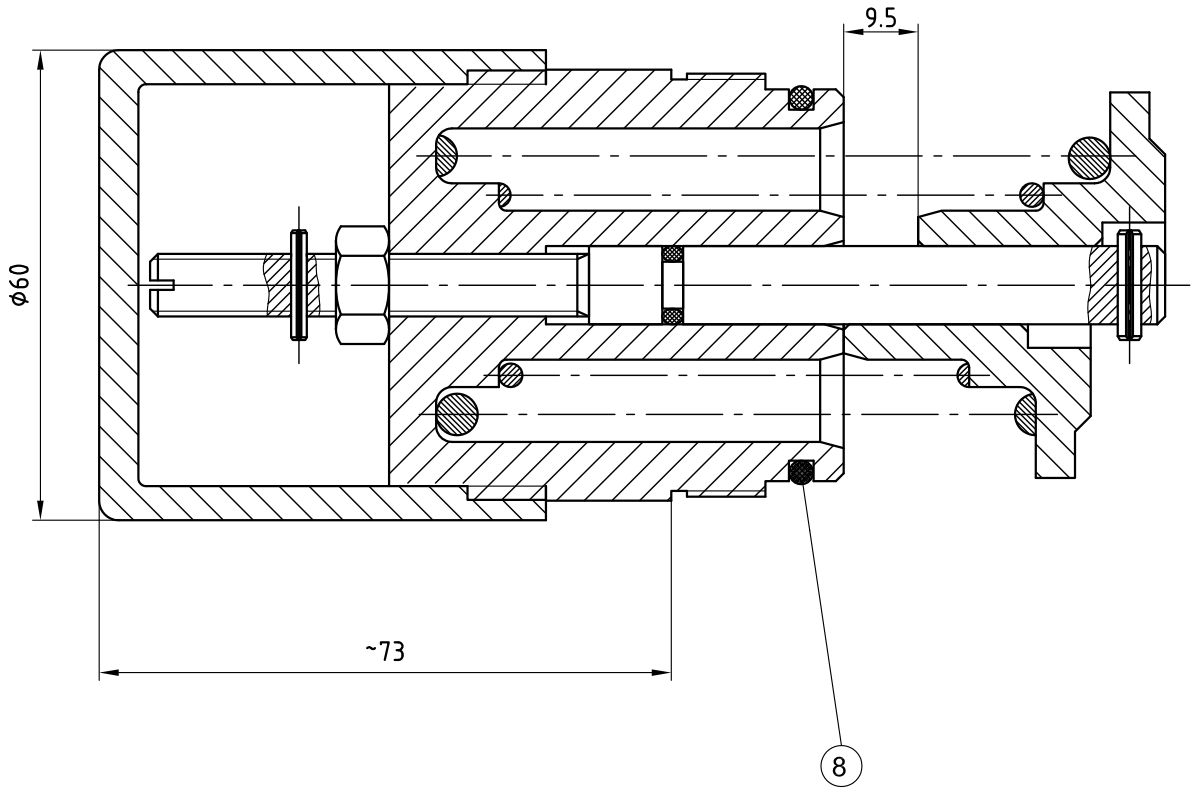


"Schutzvermerk nach DIN 34 beachten"



Werkstoffe:

Messing
 NBR
 korrosionsbeständiger Stahl
 verzinkter Stahl
 PA


Material:

Brass
 NBR
 Stainless steel
 Zinc coated steel
 PA

8	6000083	1	O-Ring	O-ring
---	---------	---	--------	--------

Pos./Item	Teile-Nr./Part-No.	Stück/Quant.	Benennung	Description
-----------	--------------------	--------------	-----------	-------------

Überdruckventil 3
 Pressure-relief-valve 3
 950 kPa



F.A. Sening GmbH
 D-25474 Ellerbek, Germany

Weight :	Date :	Name :
1,2 kg	10.02.2011	Larsen

<u>Part-No.</u> ÜDRV3	<table border="1" style="font-size: small;"> <tr> <td>Changed:</td> <td>Date</td> <td>Name</td> </tr> <tr> <td>ECN No.</td> <td>07.07.11</td> <td>RL;</td> </tr> </table>	Changed:	Date	Name	ECN No.	07.07.11	RL;	Drawing No.: 51.22264	Rev. A
Changed:	Date	Name							
ECN No.	07.07.11	RL;							