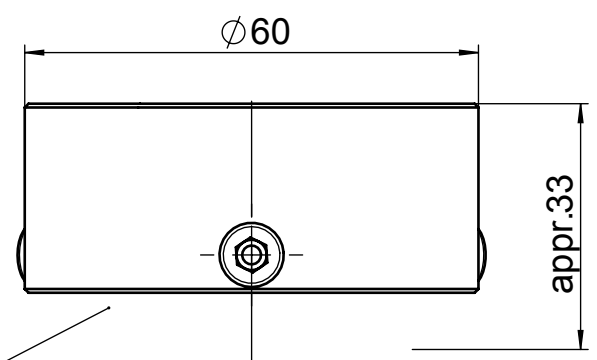
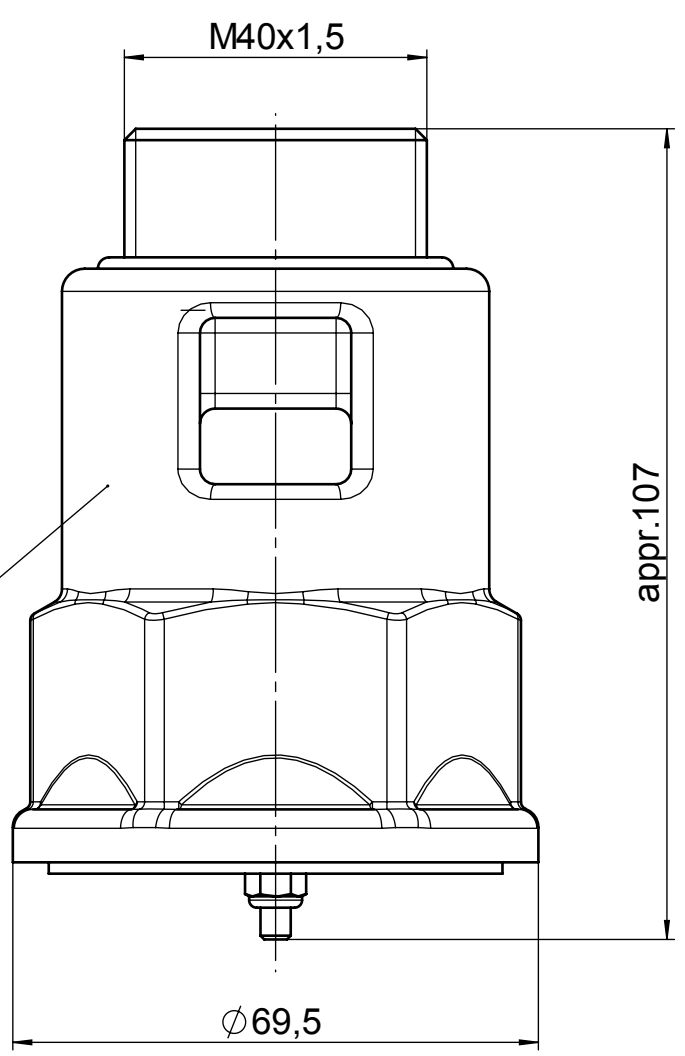


Strainer
5300294



Pressure-Vaccum Valve
5300261



over pressure: 0,085 bar
low pressure: -0,05 bar
roll over functionality

Material: Stainless steel
Aluminium
Brass
NBR

"Protective note according to DIN ISO 16016"

Pressure Vaccum Valve with strainer		FMC Technologies		F.A. Sening GmbH D-25474 Ellerbek, Germany	
		Weight:	Date:	Name:	
<u>Part-No.</u> 5300261 + 5300294		kg	10.06.2009	Larsen	
		Changed:		Drawing No.:	
		ECN No.	Date	Name	Rev.:
		20627	24.06.09	RL;	E 51.252380
		20779	09.11.09	RL;	B