

Gear Trains

Bulletin AB01023 Issue/Rev. 0.7 (10/21)

Smith Meter[®] PD Meter Gear Trains

The gear trains presented in tabular form in this bulletin show the gearing used in current models of Smith Meter PD Meters. Former models using the same gearing are listed for reference.

A gear train is a means of transmitting volumetric units, equaling the volume of the metering chamber times the revolution per minute (RPM) of the rotor, to a recording device, which can be a counter mounted directly on the meter or a transmitter mechanically or electrically connected to a remote receiver.

Most meters are available with one of three basic gear trains, which are used to indicate metered volumes in terms of United States, English, or metric units. These basic gear trains are used with Smith Meter manual, ATC, or ATG calibrators requiring 96 percent (%) meter gearing and are designated as “standard gearing.”

“Special gearing” indicates all variations in gearing that are not standard. Special gearing is required in the following instances:

- ATC and ATG calibrators used in meters operating on products metered at temperatures outside the standard 20 degrees Fahrenheit (°F) to 120 °F range (and many high American Petroleum Institute (API) products metered within the 20 °F to 120 °F range) may require special gearing ranging from 82% to 102%, depending on the product and temperature.
- Adapting G-Type calibrators to meters ordinarily using standard manual, ATC, or ATG calibrators requires special 114% ± 1% gearing.
- Meters intended to be used with dummy calibrators usually require 100.0% meter gearing.
- Meters using a D-Type transmitter frequently require 99% meter gearing in order to minimize the pulse effect of standard calibrators that may appear on electronic receivers used with Smith Meter D-Type transmitters.
- Meters that are geared to indicate pounds, kilograms, or long tons are specially geared.

Contents

Meters are listed alphabetically.

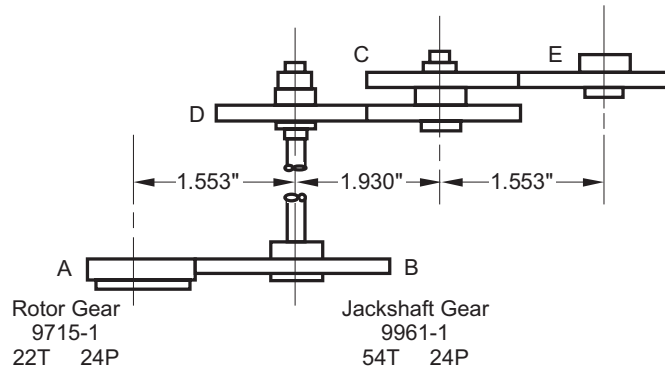
Meter Model	Page	Meter Model	Page
AB-50.....	13	J10-S6.....	21
AB-60.....	13	J10-S7.....	21
AS-60.....	13	JA10-S1.....	21
ASD-3-NF.....	7	JA10-S3.....	21
ASD-3V-NF.....	7	JA10-S5.....	21
ASD-4-NF.....	7	JA10-S6.....	21
ASD-4V-NF.....	7	JA10-S7.....	21
ASF-4-NF.....	13	JB10-S1.....	22
ASF-4V-NF.....	13	JB10-S3.....	22
ASF-6-NF.....	13	JB10-S5.....	22
ASF-6V-NF.....	13	JB10-S6.....	22
ASG-6-NF.....	16	JB10-S7.....	22
ASG-6V-NF.....	16	K12-S1.....	23
AT-25.....	3	K12-S3 and K12-S3 ASME Section VIII.....	23
B-12.....	8	K12-S5.....	23
B-13.....	8	K12-S6.....	23
B-170.....	21	K12-S7.....	23
B-250.....	21	M16-S1.....	23
B-875.....	23	M16-S3 and M16-S3 ASME Section VIII.....	23
C2-S1 and C2-S3 ASME Section VIII.....	8	M16-S5.....	23
C2-S3.....	10	M16-S6.....	23
C2-S5.....	10	M-250.....	21
C2-S6.....	10	Offset-Dual Head.....	24
C2-S7.....	10	S-12.....	8
D-250.....	21	S-13.....	8
E3-A1.....	11	S-50.....	13
E3-S1 and E3-S3 ASME Section VIII.....	11	S-60.....	13
E3-A3.....	12	SC-13.....	8
E3-S3.....	12	SC-13 DI.....	8
E3-S5.....	12	SD-3.....	7
E3-S6.....	12	SD-30.....	7
E3-S7.....	12	SD-30 DI.....	7
E4-A1.....	11	SD-3 SI.....	7
E4-S1 and F4-S3 ASME Section VIII.....	11	SD-3-NF.....	7
E4-S3.....	12	SD-3V-NF.....	7
F4-A1.....	13	SD-4-NF.....	7
F4-A3.....	15	SD-4V-NF.....	7
F4-S1.....	13	SF-4-NF.....	13
F4-S3.....	15	SF-4V-NF.....	13
F4-S5.....	15	SF-6-NF.....	13
F4-S6.....	15	SF-6V-NF.....	13
F4-S7.....	15	SG-6-NF.....	16
F4-V1.....	14	SG-6V-NF.....	16
G6-A1.....	16	Single-Head ATC.....	24
G6-A3.....	18	T-20R-3DI.....	3
G6-S1 and G6-S3 ASME Section VIII.....	16	T20-R NF.....	3
G6-S3.....	18	T-6.....	4
G6-S5.....	18	T-7.....	4
G6-S6.....	18	T-10.....	4
G6-S7.....	18	T-11.....	4
G6-V1.....	17	T-15.....	6
H8-S1.....	19	T-20.....	6
H8-S3 and H8-S3 ASME Section VIII.....	20	T-30.....	7
H8-S5.....	20	T-40.....	7
H8-S6.....	20	TC-6.....	4
H8-S7.....	20	W-170.....	21
I-60.....	4	W-250.....	21
I-75.....	4	W-875.....	23
I-150.....	6	W-D-M-50.....	13
J10-S1.....	21	W-D-M-60.....	13
J10-S3 and J10-S3 ASME Section VIII.....	21		
J10-S4.....	21		
J10-S5.....	21		

Model
T20-R NF

(also applies to AT-25)

Metered volume per revolution of rotor:

0.594.....US gallon (US gal)
0.495.....Imperial gallon (imp gal)
0.225Dekaliter (daL)



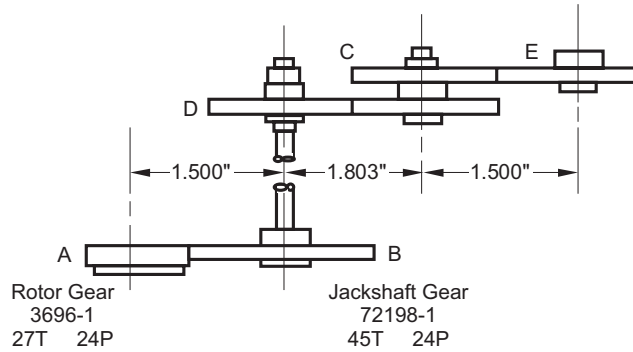
Output per Revolution of Calibrator	Percent Gearing	Gear D		Gear C		Gear E	
		Part Number	Teeth	Part Number	Teeth	Part Number	Teeth
Standard Gearing							
1 US gal	112.5	072252001	46	072251001	46/46	072253001	28
1 imp gal	114.14	072252001	46	500578001	43/46	500576001	31
1 daL	114.11	072252001	46	505280001	29/46	505282001	46

Model

T-20R-3DI

Metered volume per revolution of rotor:

0.800.....US gallon (US gal)
0.666.....Imperial gallon (imp gal)
0.3028Dekaliter (daL)



Output per Revolution of Calibrator	Percent Gearing	Gear D		Gear C		Gear E	
		Part Number	Teeth	Part Number	Teeth	Part Number	Teeth
Standard Gearing							
1 US gal	113.79	072196001	42	072195001	44/42	072356001	29
1 daL	113.80	072196001	42	515512001	27/42	515514001	47

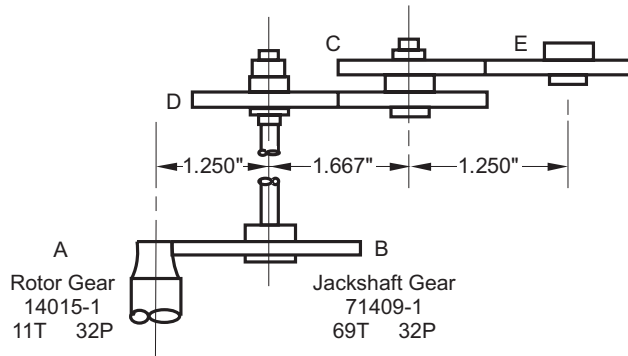
Model

T-11

(also applies to I-60, I-75
T-6, T-7, T-10, and TC-6)

Metered volume per revolution of rotor:

0.333.....	US gallon (US gal)
0.277.....	Imperial gallon (imp gal)
0.126.....	Dekaliter (daL)
1.261.....	Liters (L)



Output per Revolution of Calibrator	Percent Gearing	Gear D		Gear C		Gear E	
		Part Number	Teeth	Part Number	Teeth	Part Number	Teeth
Standard Gearing							
1 US gal	95.66	505076001	40	505077001	40/40	008969001	20
1 US gal	100.01	505076001	40	501475001	46/40	501477001	22
1 US gal	114.23	505076001	40	500501001	43/40	500499001	18
1 imp gal	95.09	505076001	40	505078001	38/40	070210001	23
1 daL	96.60	505076001	40	505079001	26/40	070269001	34
1 daL	99.60	505076001	40	505079001	26/40	517900001	33
1 daL	100.47	505076001	40	533525001	27/40	070269001	34
1 daL	114.32	505076001	40	517109001	28/40	517111001	31
Special Gearing							
1 US gal	88.90	505076001	40	512499001	39/40	512501001	21
1 US gal	90.14	505076001	40	506509001	49/40	506511001	26
1 US gal	91.98	505076001	40	502245001	50/40	502247001	26
1 US gal	93.38	505076001	40	500303001	41/40	500302001	21
1 US gal	100.43	505076001	40	511086001	42/40	511084001	20
2 US gal	95.66	505076001	40	517741001	30/40	517743001	30
5 US gal	100.11	505076001	40	517224001	18/40	517226001	43
1 imp gal	89.91	505076001	40	504346001	36/40	504344001	23
1 imp gal	92.42	505076001	40	503654001	37/40	503655001	23
1 imp gal	94.01	505076001	40	501003001	36/40	501007001	22
1 daL	89.24	505076001	40	511028001	24/40	511932001	34
1 daL	92.95	505076001	40	511930001	25/40	511932001	34
1 daL	93.91	505076001	40	071343001	26/40	512005001	35
Miscellaneous							
0.1 barrell (bbl)**	100.20	515276001	34	515277001	38/70	515278001	37
1 imp quart (imp qt)*	97.69	537209001	60	537913001	43/20	534387001	19
1 L	95.93	537209001	60	537212001	43/20	537214001	17
2 L*	93.40	072024001	53	515812001	41/28	500302001	21
2 L***	95.19	519215001	64	not available (n/a)		519217001	17
2 L*	95.64	072024001	53	072025001	40/28	008969001	20
2 L*	98.11	072024001	53	515812001	41/28	511084001	20
5 L	94.82	505076001	40	501894001	36/40	501895001	24
5 L	98.94	505076001	40	504346001	36/40	504344001	23
1 US quart (US qt)	96.42	537209001	60	537212001	43/20	537213001	16
2 US qt	95.05	072024001	53	539071001	42/28	511084001	20
2 US qt*	98.56	072024001	53	539070001	38/28	506569001	21

* Right-hand meter only.

** TC-6 Meter.

*** Left-hand meter only.

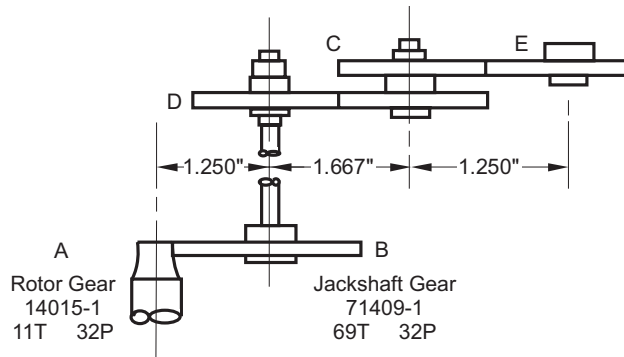
Model

T-11

(also applies to I-60, I-75
T-6, T-7, T-10, and TC-6)

Metered volume per revolution of rotor:

0.333.....	US gallon (US gal)
0.277.....	Imperial gallon (imp gal)
0.126.....	Dekaliter (daL)
0.261.....	Liters (L)



Output per Revolution of Calibrator	Percent Gearing	Gear D		Gear C		Gear E	
		Part Number	Teeth	Part Number	Teeth	Part Number	Teeth
Weight Gearing (Density)							
10 pounds (lb) (8.67 lb/gal)	95.00	505076001	40	505078001	38/40	506533001	22
10 lb (12.3 lb/gal)	95.00	505076001	40	519748001	44/40	500499001	18
10 lb (11.4 lb/gal)	95.00	505076001	40	500501001	43/40	534387001	19
10 lb (9.3 lb/gal)	95.15	505076001	40	512499001	39/40	512501001	21
10 lb (6.94 lb/gal)	95.56	505076001	40	072279001	36/40	500043001	26
10 lb (10.51 lb/gal)	95.65	505076001	40	511086001	42/40	511084001	20
10 lb (7.8 lb/gal)	95.71	505076001	40	502726001	39/40	502278001	25
10 lb (11.1 lb/gal)	95.75	505076001	40	500686001	40/40	500688001	18
10 lb (7.27 lb/gal)	96.07	505076001	40	501281001	35/40	501283001	24
10 lb (8.37 lb/gal)	96.16	505076001	40	506531001	37/40	506533001	22
10 lb (8 lb/gal)	96.27	505076001	40	503654001	37/40	503655001	23
10 lb (11.25 lb/gal)	96.31	505076001	40	500501001	43/40	534387001	19
10 lb (5.49 lb/gal)	96.40	505076001	40	535712001	31/40	535711001	28
10 lb (7.45 lb/gal)	96.42	505076001	40	501894001	36/40	501895001	24
10 lb (7.74 lb/gal)	96.43	505076001	40	502726001	39/40	502728001	25
10 lb (5.85 lb/gal)	96.45	505076001	40	501261001	33/40	501263001	28
10 lb (8.97 lb/gal)	96.49	505076001	40	506567001	38/40	506569001	21
10 lb (11.83 lb/gal)	96.56	505076001	40	500501001	43/40	500499001	18
10 lb (9.65 lb/gal)	96.60	505076001	40	500303001	41/40	500302001	21
10 lb (6.40 lb/gal)	96.88	505076001	40	505418001	35/40	505420001	27
10 lb (13.59 lb/gal)	96.90	505076001	40	519152001	55/40	519154001	20
10 lb (6.64 lb/gal)	96.97	505076001	40	505422001	35/40	505424001	26
10 lb (12.76 lb/gal)	97.20	503761001	52	503764001	35/27	517404001	26
10 lb (13 lb/gal)	113.00	505076001	40	535354001	56/40	535355001	18

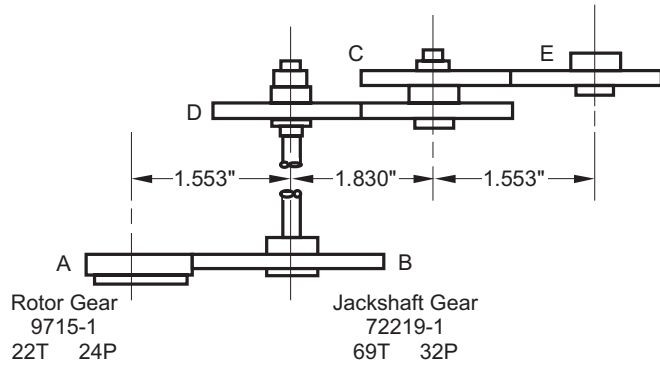
Model

T-20

(also applies to I-150 and T-15)

Metered volume per revolution of rotor:

0.594.....US gallon (US gal)
 0.495.....Imperial gallon (imp gal)
 0.225Dekaliter (daL)



Output per Revolution of Calibrator	Percent Gearing	Gear D		Gear C		Gear E	
		Part Number	Teeth	Part Number	Teeth	Part Number	Teeth
Standard Gearing							
1 US gal	96.00	505081001	42	505082001	42/42	008970001	30
1 US gal	100.59	505081001	42	503809001	44/42	008970001	30
1 US gal	112.70	505081001	42	552504001	46/42	072253001	28
1 imp gal	96.39	505081001	42	505083001	41/42	070219001	35
1 imp gal	114.20	505081001	42	500578001	43/42	500576001	31
1 daL	96.12	505081001	42	505084001	26/42	070685001	49
1 daL	98.41	505081001	42	533145001	25/42	505282001	46
1 daL	100.16	505081001	42	550249001	26/42	550251001	47
1 daL	114.11	505081001	42	536540001	29/42	505282001	46
Special Gearing							
1 US gal	92.14	505081001	42	503851001	43/42	503808001	32
1 US gal	92.92	505081001	42	505082001	42/42	071293001	31
1 US gal	94.20	505081001	42	503809001	44/42	503808001	32
1 imp gal	92.30	505081001	42	534600001	37/42	537423001	33
1 daL	90.70	505081001	42	533145001	25/42	512007001	50
1 daL	93.50	505081001	42	505084001	26/42	512007001	50
1 daL	98.08	505081001	42	550249001	26/42	071947001	48
Weight Gearing (Density)							
1 lb (7.678 lb/gal)	94.43	505081001	42	534600001	37/42	534599001	36
1 lb (13.554 lb/gal)	95.37	505081001	42	550967001	49/42	505423001	26
1 lb (7.545 lb/gal)	96.00	505081001	42	534600001	37/42	534598001	35
1 lb (7.33 lb/gal)	96.00	505081001	42	534600001	37/42	534599001	36
1 lb (6.85 lb/gal)	96.00	505081001	42	533555001	37/42	533556001	38

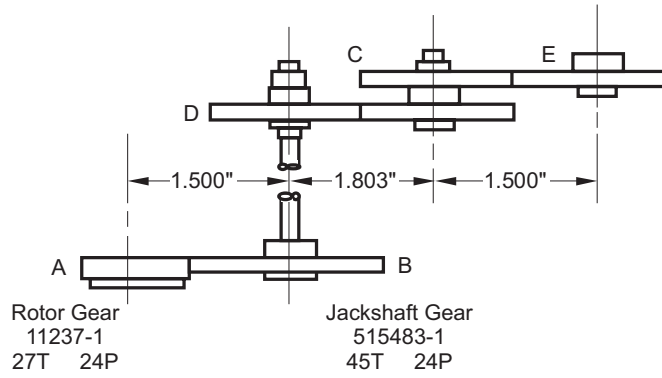
Models

**ASD-3-NF,
ASD-3V-NF,
ASD-4-NF,
ASD-4V-NF, SD-30,
SD-30 DI, SD-3 SI,
SD-3-NF, SD-3V-NF,
SD-4-NF, SD-4V-NF,
and T-40**

(also applies to SD-3 and T-30)

Metered volume per revolution of rotor:

0.908.....US gallon (US gal)
0.756.....Imperial gallon (imp gal)
0.344Dekaliter (daL)



Output per Revolution of Calibrator	Percent Gearing	Gear D		Gear C		Gear E	
		Part Number	Teeth	Part Number	Teeth	Part Number	Teeth
Standard Gearing							
5 US gal	96.10	505081001	42	515452001	16/42	515464001	55
5 US gal	99.12	505081001	42	539938001	18/42	539940001	60
5 US gal	100.30	505081001	42	539399001	17/42	539401001	56
5 US gal	114.72	505081001	42	535533001	25/42	535535001	72
5 imp gal	95.70	505081001	42	518373001	28/42	518375001	116
5 imp gal	115.41	505081001	42	515462001	16/42	515464001	55
1 daL	96.50	505081001	42	505084001	26/42	515491001	47
1 daL	98.67	505081001	42	505084001	26/42	505282001	46
1 daL	100.29	505081001	42	539347001	27/42	500478001	47
1 daL	115.06	505081001	42	536995001	29/42	536994001	44
Special Gearing							
1 US gal*	95.80	505081001	42	514451001	42/42	539519001	29
5 US gal	94.40	505081001	42	515462001	16/42	539069001	56
1 imp gal*	96.20	008968001	42	504490001	40/42	537424001	33
1 daL	92.86	505081001	42	533145001	25/42	515491001	47
1 daL	94.88	505081001	42	533145001	25/42	505282001	46
Weight Gearing (Specific Gravity (sp. gr.))							
10 lb (0.7883 sp. gr.)	85.17	505081001	42	550478001	20/42	550480001	52
10 lb (0.7883 sp. gr.)	91.19	505081001	42	550696001	21/42	550698001	51
10 lb (0.9 sp. gr.)	92.51	505081001	42	551561001	37/42	551559001	35
10 lb (1.28 sp. gr.)	93.87	505081001	42	503809001	44/42	072356001	29
10 lb (1.2 sp. gr.)	95.88	505081001	42	536995001	29/42	536994001	44
10 lb (0.915 sp. gr.)	96.72	505081001	42	550681001	38/42	070269001	34
10 lb (1.07 sp. gr.)	97.89	505081001	42	539347001	27/42	539349001	45
10 lb (0.91 sp. gr.)	99.01	505081001	42	550208001	32/42	550210001	62
10 lb (0.88 sp. gr.)	99.19	505081001	42	550208001	32/42	550214001	64
10 lb (0.89 sp. gr.)	99.63	505081001	42	550208001	32/42	550212001	63
10 lb (0.87 sp. gr.)	99.78	505081001	42	550208001	32/42	550216001	65

* For use at lower flow rates only (250 US/imp gal per minute (GPM) maximum).

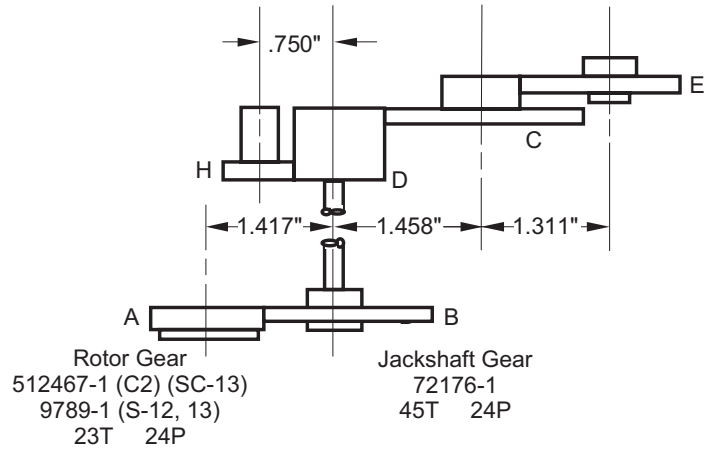
Models

**C2-S1,
C2-S3 ASME Section VIII,
SC-13, and SC-13 DI**

(also applies to B-12, B-13,
S-12, and S-13)

Metered volume per revolution of rotor:

0.364.....US gallon (US gal)
0.303.....Imperial gallon (imp gal)
0.1378Dekaliter (daL)



Output per Revolution of Calibrator	Percent Gearing	Gear D		Gear H		Gear C		Gear E	
		Part Number	Teeth	Part Number	Teeth	Part Number	Teeth	Part Number	Teeth
Standard Gearing									
5 US gal	95.35	071922001	18	071923001	18	071925001	18/53	071926001	45
5 US gal	99.81	071922001	18	071923001	18	071925001	18/53	514580001	43
1 daL	96.29	071922001	18	071923001	18	071949001	27/52	071950001	36
1 daL	100.03	071922001	18	071923001	18	538184001	27/53	538185001	34
Special Gearing									
1 US gal	89.00	511835001	31	n/a		534885001	29/39	534887001	36
1 US gal	95.19	511835001	31	n/a		511837001	29/39	070269001	34
1 US gal	98.86	511835001	31	n/a		517105001	31/39	517107001	35
1 US gal	100.00	511835001	31	n/a		539254001	37/39	539256001	41
5 US gal	87.50	071922001	18	071923001	18	504433001	17/52	504435001	47
5 US gal	89.81	071922001	18	071923001	18	506118001	17/52	506120001	46
5 US gal	90.07	071922001	18	071923001	18	506408001	17/53	504789001	45
5 US gal	91.31	071922001	18	071923001	18	071925001	18/53	500478001	47
5 US gal	93.30	071922001	18	071923001	18	081925001	18/53	500979001	46
5 US gal	93.61	071922001	18	071923001	18	500426001	18/54	071926001	45
5 US gal	97.20	071922001	18	071923001	18	538504001	18/52	071926001	45
5 US gal	113.54	071922001	18	071923001	18	511305001	20/53	511307001	42
1 imp gal	95.80	511835001	31	n/a		519266001	26/39	071950001	36
1 imp gal	97.80	511835001	31	n/a		519769001	27/39	500616001	37
5 imp gal	93.53	071922001	18	071923001	18	071946001	16/53	512708001	49
5 imp gal	95.49	071922001	18	071923001	18	071946001	16/53	071947001	48
5 imp gal	99.39	071922001	18	071923001	18	539343001	16/52	537072001	47
1 L	95.97	517896001	53	n/a		517898001	29/18	517900001	33
1 daL	91.92	071922001	18	071923001	18	519197001	27/53	500616001	37
1 daL	93.69	071922001	18	071923001	18	071949001	27/52	500616001	37
1 daL	97.18	071922001	18	071923001	18	519197001	27/53	534701001	35
1 daL	99.04	071922001	18	071923001	18	071919001	27/52	534701001	35
1 daL	113.72	071922001	18	071923001	18	534474001	31/52	517107001	35

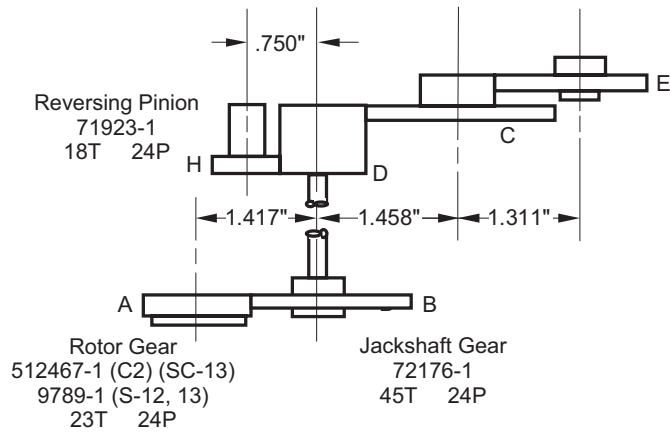
Models

**C2-S1, SC-13, and
SC-13 DI**

(also applies to B-12, B-13,
S-12, and S-13)

Metered volume per revolution of rotor:

0.364.....	US gallon (US gal)
0.303.....	Imperial gallon (imp gal)
0.1378	Dekaliter (daL)



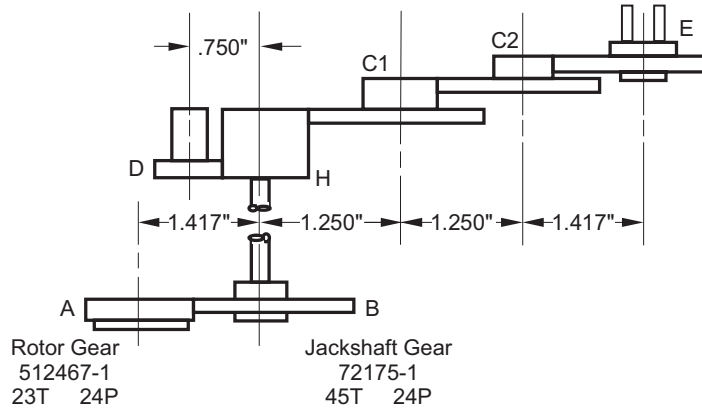
Output per Revolution of Calibrator	Percent Gearing	Gear D		Gear C		Gear E	
		Part Number	Teeth	Part Number	Teeth	Part Number	Teeth
Weight Gearing (Density)							
10 lb (1.146 kilograms per liter (kg/L))	87.29	071922001	18	538184001	27/53	538185001	34
10 lb (7.5 lb/gal)	95.40	071922001	18	514402001	39/53	514403001	26
10 lb (8 lb/gal)	95.40	071922001	18	502667001	44/52	500121001	28
10 lb (8.75 lb/gal)	95.40	071922001	18	514406001	42/53	514407001	24
10 lb (10 lb/gal)	95.40	071922001	18	514418001	50/53	514419001	25
10 lb (15.3 lb/gal)	95.50	071922001	18	533834001	47/53	533832001	15
10 lb (9.58 lb/gal)	95.60	071922001	18	514414001	48/53	514415001	25
10 lb (8.9 lb/gal)	95.60	071922001	18	534119001	42/53	517739001	25
10 lb (9.17 lb/gal)	95.70	071922001	18	514410001	46/53	514411001	25
10 lb (7.14 lb/gal)	95.80	071922001	18	502663001	38/52	502680001	27
10 lb (9.12 lb/gal)	95.80	071922001	18	513428001	44/53	513430001	24
10 lb (10.4 lb/gal)	95.80	071922001	18	514422001	46/53	514423001	22
10 lb (11.53 lb/gal)	95.80	071922001	18	501265001	44/53	501267001	19
10 lb (12 lb/gal)	95.80	071922001	18	502154001	45/52	501267001	19
10 lb (6.75 kg/L)	95.90	071922001	18	533766001	23/52	533773001	39
10 lb (6.56 lb/gal)	96.00	071922001	18	517942001	37/53	517944001	28
10 lb (10.93 lb/gal)	96.00	071922001	18	506205001	44/53	506207001	20
10 lb (3.426 kg/L)	96.00	071922001	18	533903001	26/53	511541001	38
10 lb (8.33 lb/gal)	96.10	071922001	18	514406001	42/53	517739001	25
10 lb (10.6 lb/gal)	96.10	071922001	18	505308001	44/53	505310001	31
10 lb (7.2 kg/L)	96.10	071922001	18	533767001	24/52	533774001	38
10 lb (8.41 lb/gal)	96.20	071922001	18	501039001	40/52	501037001	24
10 lb (8.6 kg/L)	96.20	071922001	18	533768001	37/53	533772001	36
10 lb (7.66 lb/gal)	96.30	071922001	18	505035001	38/52	503766001	25
10 lb (5.9 lb/gal)	96.40	071922001	18	506395001	37/53	506397001	31
10 lb (10.08 lb/gal)	96.40	071922001	18	500743001	42/53	500741001	21
10 lb (10.49 lb/gal)	96.50	071922001	18	502661001	50/52	502665001	24
10 lb (7.08 lb/gal)	96.60	071922001	18	517596001	38/52	517597001	27
10 lb (11.2 lb/gal)	96.70	071922001	18	501295001	50/53	501297001	22
10 lb (7.3 kg/L)	96.80	071922001	18	539186001	23/53	539188001	41
10 lb (6.67 lb/gal)	97.10	071922001	18	517600001	36/52	517601001	27
10 lb (7.71 lb/gal)	97.10	071922001	18	514288001	44/53	514289001	28
10 lb (7.6 kg/L)	97.10	071922001	18	533799001	21/52	533801001	42
10 lb (6.25 lb/gal)	97.50	071922001	18	517604001	35/52	517605001	28
10 lb (1.25 kg/L)	97.60	071922001	18	539343001	31/53	539345001	32
10 lb (14.23 lb/gal)	98.70	071922001	18	533834001	47/53	538535001	16

Models

**C2-S3, C2-S5,
C2-S6, and C2-S7**

Metered volume per revolution of rotor:

- 0.364.....US gallon (US gal)
- 0.303.....Imperial gallon (imp gal)
- 0.1378Dekaliter (daL)



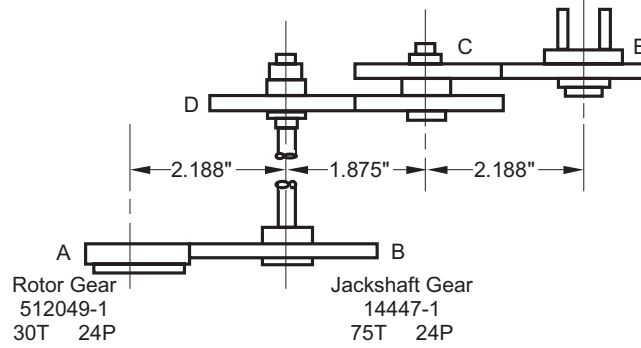
Output per Revolution of Calibrator	Percent Gearing	Gear D		Gear H		Gear C1		Gear C2		Gear E	
		Part Number	Teeth	Part Number	Teeth	Part Number	Teeth	Part Number	Teeth	Part Number	Teeth
Standard Gearing/Standard Trim											
5 US gal	97.36	514760001	18	514762001	18	514743001	23/42	539883001	26/42	535071001	44
5 US gal	99.90	518508001	19	518509001	19	518581001	23/42	514740001	27/42	514764001	47
5 US gal	113.00	514760001	18	514762001	18	514743001	23/42	535726001	37/42	535728001	53
5 imp gal	95.91	514760001	18	514762001	18	514825001	18/42	514823001	26/42	514827001	42
5 imp gal	101.20	518508001	19	518509001	19	514825001	18/42	514823001	26/42	514827001	42
1 daL	95.97	514760001	18	514762001	18	514829001	26/42	514832001	30/34	514834001	38
1 daL	99.00	514760001	18	514762001	18	514829001	26/42	536930001	31/34	514834001	38
1 daL	100.00	514760001	18	514762001	18	514829001	26/42	536817001	32/34	536819001	39
1 daL	114.60	514760001	18	514762001	18	514829001	26/42	535247001	33/34	517423001	35
Standard Gearing/LPG Trim											
5 US gal	94.66	514760001	18	514836001	18	515015001	23/42	515014001	27/42	515016001	47
5 US gal	98.20	514760001	18	514836001	18	515015001	23/42	519167001	28/42	515016001	47
5 US gal	99.90	518508001	19	518880001	19	534406001	23/42	515014001	27/42	515016001	47
5 US gal	113.00	514760001	18	514762001	18	514743001	23/42	535726001	37/42	535728001	53
5 imp gal	95.91	514760001	18	514836001	18	515018001	18/42	515017001	26/42	515019001	42
5 imp gal	99.50	514760001	18	514836001	18	515018001	18/42	518859001	27/42	515019001	42
1 daL	95.97	514760001	18	514836001	18	515020001	26/42	515021001	30/34	515022001	38
1 daL	99.00	514760001	18	514836001	18	515020001	26/42	538608001	31/34	515022001	38
1 daL	100.00	514760001	18	514836001	18	515020001	26/42	550940001	32/34	550941001	39
Special Gearing/Standard Trim											
1 US gal	96.10	514760001	18	514762001	18	533707001	44/42	533706001	32/21	533702001	42
1 US gal	99.50	514760001	18	514762001	18	533707001	44/42	538310001	30/21	514834001	38
5 US gal	84.26	518508001	19	518509001	19	514825001	18/42	514823001	26/42	514827001	42
5 US gal	87.50	514760001	18	514762001	18	514743001	23/42	518503001	24/42	518505001	45
5 US gal	89.00	514760001	18	514762001	18	514743001	23/42	518517001	26/42	518519001	48
5 US gal	91.00	514760001	18	514762001	18	514743001	23/42	518517001	26/42	533957001	47
5 US gal	92.76	518508001	19	518509001	19	514743001	23/42	518503001	24/42	518505001	45
5 US gal	94.66	514760001	18	514762001	18	514743001	23/42	514740001	27/42	514764001	47
1 imp gal	93.00	514760001	18	514762001	18	533707001	44/42	534082001	27/21	535071001	44
1 imp gal	97.60	514760001	18	514762001	18	533707001	44/42	534082001	27/21	514827001	42
5 imp gal	87.90	514760001	18	514762001	18	514825001	18/42	519392001	25/42	519394001	49
5 imp gal	93.50	514760001	18	514762001	18	514825001	18/42	514823001	26/42	519857001	43
5 imp gal	98.20	514760001	18	514762001	18	514825001	18/42	519613001	26/41	514827001	42
1 daL	80.05	514760001	18	514762001	18	514829001	26/42	550518001	27/21	550519001	41
1 daL	89.70	514760001	18	514836001	18	514829001	26/42	519203001	29/34	519205001	39
1 daL	92.80	514760001	18	514762001	18	514829001	26/42	550906001	29/34	514834001	38
Special Gearing/LPG Trim											
1 US gal	96.10	514760001	18	514836001	18	550292001	44/42	550291001	32/21	550290001	42
5 US gal	87.50	514760001	18	514836001	18	515015001	23/42	519115001	24/42	519116001	45
5 US gal	89.00	514760001	18	514836001	18	515015001	23/42	519758001	26/42	519759001	48
5 US gal	91.50	514760001	18	514836001	18	515015001	23/42	518902001	24/42	518904001	43
5 US gal	97.36	514760001	18	514836001	18	515015001	23/42	539884001	26/42	536130001	44
5 imp gal	91.54	514760001	18	514762001	18	515018001	18/42	515017001	26/42	536031001	44
1 daL	88.76	514760001	18	514836001	18	515020001	26/42	535232001	27/34	535234001	37
1 daL	89.70	514760001	18	514836001	18	515020001	26/42	551061001	29/34	551062001	39
1 daL	92.80	514760001	18	514836001	18	515020001	26/42	519201001	29/34	515022001	38

Models

**E3-A1, E3-S1, E3-S3*,
E3-S3 ASME Section VIII,
E4-A1, and E4-S1**

Metered volume per revolution of rotor:

1.400.....US gallon (US gal)
1.166.....Imperial gallon (imp gal)
0.5299Dekaliter (daL)



Output per Revolution of Calibrator	Percent Gearing	Gear D		Gear C		Gear E	
		Part Number	Teeth	Part Number	Teeth	Part Number	Teeth
Standard Gearing							
5 US gal	95.23	072478001	45	072477001	42/45	514632001	63
5 US gal	100.00	072478001	45	512822001	42/45	512824001	60
1 daL	96.36	072478001	45	072485001	60/45	514774001	47
1 daL	100.60	072478001	45	072485001	60/45	513705001	45
Special Gearing							
5 US gal	81.02	072478001	45	072491001	38/45	517789001	67
5 US gal	83.20	072478001	45	517788001	39/45	517789001	67
5 US gal	85.29	072478001	45	550551001	40/45	550550001	67
5 US gal	87.91	072478001	45	502741001	40/45	516623001	65
5 US gal	89.30	072478001	45	502741001	40/45	519325001	64
5 US gal	91.50	072478001	45	504076001	41/45	516767001	64
5 US gal	92.50	072478001	45	504076001	41/45	516767001	64
5 US gal	93.75	072478001	45	502743001	42/45	516302001	64
5 US gal	97.50	072478001	45	518532001	43/45	550265001	63
5 US gal	99.07	072478001	45	518532001	43/45	518534001	62
5 US gal	113.80	072478001	45	072510001	47/45	072511001	59
5 imp gal	83.50	072478001	45	518190001	35/45	518192001	72
5 imp gal	85.71	072478001	45	518788001	35/45	518790001	70
5 imp gal	89.49	072478001	45	517524001	36/45	517526001	69
5 imp gal	91.98	072478001	45	517528001	37/45	517526001	69
5 imp gal	93.98	072478001	45	512706001	40/45	516311001	73
5 imp gal	95.80	072478001	45	072491001	38/45	514773001	68
5 imp gal	100.00	072478001	45	517788001	39/45	517789001	67
1 daL	86.20	072478001	45	519333001	55/45	501898001	48
1 daL	91.55	072478001	45	504799001	57/45	516601001	47
1 daL	93.54	072478001	45	502128001	57/45	516973001	46
1 daL	98.97	072478001	45	514754001	59/45	534735001	45
1 daL	113.20	072478001	45	503513001	63/45	535249001	42
1 bbl	96.09	500867001	26	500870001	17/65	516449001	85
1 bbl	97.98	500867001	26	517695001	20/65	519817001	98
1 bbl	100.10	500867001	26	517695001	20/65	517697001	96
Weight Gearing (Density)							
50 lb (10.68 lb/gal)	95.00	072478001	45	518532001	43/45	512824001	60
10 lb (6.93 lb/gal)	96.00	534537001	45	534306001	78/45	533989001	29
10 lb (7.34 lb/gal)	96.00	534537001	45	534613001	74/45	534614001	30
10 lb (3.6 kg/gal)	96.01	072478001	45	534795001	58/45	517516001	48
50 lb (11.07 lb/gal)	96.02	072478001	45	533191001	44/45	518660001	59
50 lb (11.78 lb/gal)	96.60	072478001	45	533216001	47/45	518660001	59
50 lb (9.096 lb/gal)	96.65	072478001	45	502741001	40/45	516623001	65
50 lb (6.68 lb/gal)	96.88	072478001	45	533921001	34/45	533923001	75
50 lb (7.686 lb/gal)	96.97	072478001	45	517524001	36/45	517526001	69
50 lb (9.05 lb/gal)	97.14	072478001	45	502741001	40/45	516623001	65

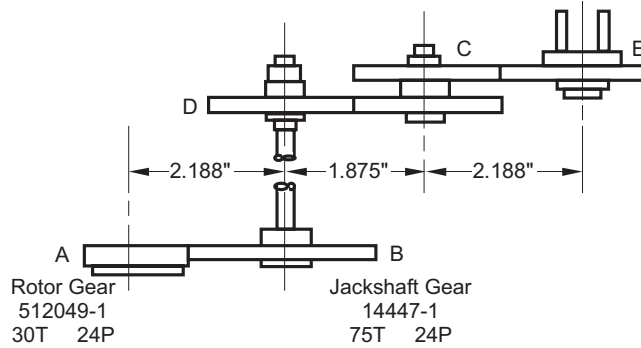
* 2005 to present

Models

**E3-A3, E3-S3*, E3-S5,
E3-S6, E3-S7, and
E4-S3**

Metered volume per revolution of rotor:

1.400.....	US gallon (US gal)
1.166.....	Imperial gallon (imp gal)
0.5299	Dekaliter (daL)



Output per Revolution of Calibrator	Percent Gearing	Gear D		Gear C		Gear E	
		Part Number	Teeth	Part Number	Teeth	Part Number	Teeth
Standard Gearing/Standard Trim							
5 US gal	95.23	514614001	45	514615001	42/45	514632001	63
5 US gal	99.07	514614001	45	538501001	43/45	518534001	62
5 US gal	100.00	514614001	45	538316001	42/45	512824001	60
5 imp gal	95.80	514614001	45	514771001	38/45	514773001	68
1 daL	96.36	514614001	45	514772001	60/45	514774001	47
1 daL	98.97	514614001	45	537870001	59/45	534735001	45
1 daL	100.60	514614001	45	514772001	60/45	513705001	45
1 daL	113.20	514614001	45	535248001	63/45	535249001	42
1 bbl	96.09	518444001	26	518445001	17/65	516449001	85
1 bbl	99.31	518444001	26	518868001	24/65	539470001	116
1 bbl	100.20	518444001	26	518868001	24/65	551612001	115
Standard Gearing/LPG Trim							
5 US gal	95.23	515043001	45	515044001	42/45	515045001	63
5 US gal	99.07	515043001	45	552929001	43/45	552930001	62
5 US gal	100.00	515043001	45	518746001	42/45	517128001	60
5 imp gal	95.80	515043001	45	515046001	38/45	515047001	68
1 daL	96.36	515043001	45	515048001	60/45	515049001	47
1 daL	98.97	515043001	45	538609001	59/45	538610001	45
1 daL	100.60	515043001	45	515048001	60/45	539330001	45
1 bbl	96.09	518681001	26	533146001	17/65	533147001	85
1 bbl	100.20	518681001	26	518862001	24/65	518870001	115
Special Gearing/Standard Trim							
5 US gal	83.50	514614001	45	519401001	38/45	519402001	65
5 US gal	87.90	514614001	45	519400001	40/45	519402001	65
5 US gal	91.50	514614001	45	550412001	41/45	516767001	64
5 US gal	93.75	514614001	45	550581001	42/45	516302001	64
5 imp gal	93.33	514614001	45	539462001	37/45	514773001	68
1 daL	89.70	514614001	45	519269001	57/45	534090001	48
1 daL	92.80	514614001	45	519198001	59/45	534090001	48
1 daL	93.54	514614001	45	550618001	57/45	516973001	46
1 bbl	97.98	518444001	26	519819001	20/65	519817001	98
Special Gearing/LPG Trim							
5 US gal	87.91	515043001	45	518778001	40/45	518779001	65
5 US gal	91.50	515053001	45	518899001	41/45	518900001	64
5 US gal	98.36	515043001	45	518746001	42/45	534419001	61
1 daL	102.94	515043001	45	515048001	60/45	551008001	44
Weight Gearing (Density)							
10 lb (5.15 lb/gal)	95.00	514614001	45	533619001	27/45	533622001	79
50 lb (10.68 lb/gal)	95.00	514614001	45	535501001	43/45	512824001	60
10 lb (7.26 lb/gal)	96.00	514614001	45	534296001	76/45	534298001	31
10 lb (6.82 lb/gal)	97.25	534377001	65	534375001	52/26	533536001	56
10 lb (6.55 lb/gal)	97.37	534377001	65	534376001	50/26	533536001	56

* Prior to 2005

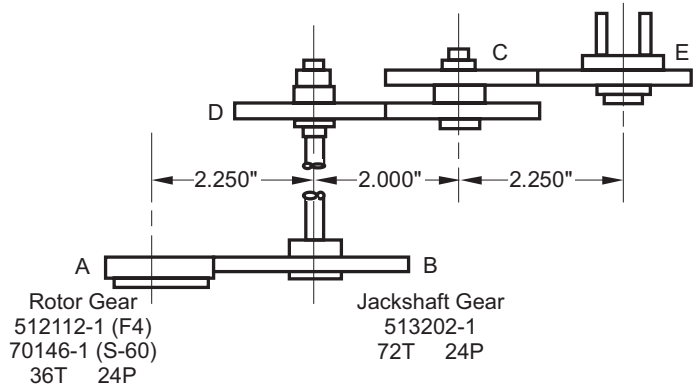
Models

**ASF-4-NF, ASF-4V-NF, ASF-6-NF,
ASF-6V-NF, F4-A1, F4-S1*,
F4-S3 ASME Section VIII, SF-4-NF,
SF-4V-NF, SF-6-NF, and SF-6V-NF**

(also applies to AB-50, AB-60,
AS-60, S-50, S-60, W-D-M-50,
and W-D-M-60)

Metered volume per revolution of rotor:

2.000.....	US gallon (US gal)
1.665.....	Imperial gallon (imp gal)
0.757.....	Dekaliter (daL)
0.0476.....	Barrel (bbl)



Output per Revolution of Calibrator	Percent Gearing	Gear D		Gear C		Gear E	
		Part Number	Teeth	Part Number	Teeth	Part Number	Teeth
Standard Gearing							
5 US gal	95.83	008249001	46	008250001	46/46	008248001	60
5 US gal	100.00	008249001	46	512111001	48/46	008248001	60
1 daL	96.07	008249001	46	072056001	64/46	070728001	44
1 daL	99.08	008249001	46	551010001	75/46	551012001	50
Special Gearing							
5 US gal	82.69	008249001	46	505860001	43/46	505862001	65
5 US gal	85.94	008249001	46	505592001	44/46	505593001	64
5 US gal	86.54	008249001	46	505505001	45/46	505507001	65
5 US gal	87.30	008249001	46	503440001	44/46	503441001	63
5 US gal	88.23	008249001	46	504315001	48/46	504313001	68
5 US gal	88.71	008249001	46	505521001	44/46	505523001	62
5 US gal	89.28	008249001	46	505363001	45/46	501986001	63
5 US gal	90.16	008249001	46	505521001	44/46	511501001	61
5 US gal	90.72	008249001	46	513154001	45/46	513156001	62
5 US gal	92.21	008249001	46	502620001	45/46	502622001	61
5 US gal	93.25	008249001	46	502081001	47/46	501986001	63
5 US gal	97.22	008249001	46	500974001	49/46	500976001	63
5 US gal	97.92	008249001	46	505211001	47/46	008248001	60
5 US gal	98.79	008249001	46	516325001	49/46	516327001	62
5 US gal	99.13	008249001	46	008250001	46/46	519823001	58
5 US gal	100.41	008249001	46	516325001	49/46	518848001	61
5 US gal	113.84	008249001	46	072309001	51/46	072308001	56
5 imp gal	91.88	008249001	46	501941001	41/46	501942001	67
5 imp gal	93.27	008249001	46	516768001	41/46	071007001	66
5 imp gal	95.55	008249001	46	072078001	42/46	071007001	66
5 imp gal	114.00	008249001	46	008250001	46/46	008248001	60
5 imp gal	97.83	008249001	46	072451001	43/46	071007001	66
5 imp gal	99.33	008249001	46	505860001	43/46	505862001	65
5 imp gal	100.00	008249001	46	534474001	44/46	534475001	66
1 daL	90.46	008249001	46	513263001	63/46	513265001	46
1 daL	93.94	008249001	46	072056001	64/46	536794001	45
1 daL	97.57	008249001	46	513434001	65/46	551185001	44
1 daL	99.84	008249001	46	513434001	65/46	513435001	43
5 daL	96.15	008249001	46	534631001	23/46	515934001	79
5 daL	99.07	008249001	46	505183001	24/46	517267001	80
5 daL	100.03	008249001	46	505183001	24/46	515934001	79
5 daL	112.87	008249001	46	539177001	27/46	516490001	79
1 bbl	93.65	516485001	20	552468001	26/72	518847001	81
1 bbl	95.99	516485001	20	516488001	26/72	516490001	79
1 bbl	99.10	517865001	22	517846001	26/75	518847001	81
1 bbl	100.10	517865001	22	517846001	26/75	517848001	120
1 bbl	113.75	500142001	46	500074001	13/46	500071001	80
Weight Gearing (Density)							
50 lb (11.05 lb/gal)	94.10	008249001	46	538636001	50/46	535885001	60
50 lb (11.07 lb/gal)	94.10	008249001	46	538037001	50/46	538039001	58

* Prior to 2005

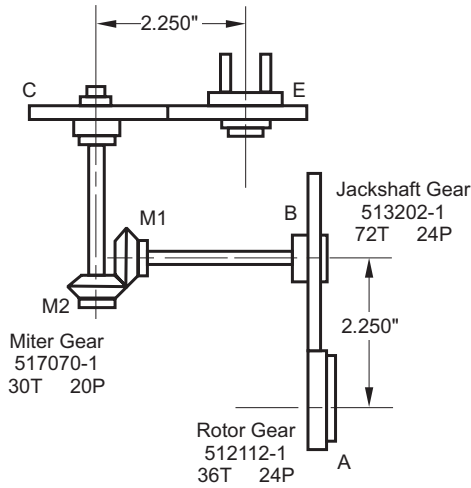
Models

F4-V1 and F4-V3

Metered volume per revolution of rotor:

2.000.....US gallon (US gal)

Note: Incorporation of the two miter gears in a standard gear train reverses the direction of rotation at the counter. In the F4-V1 train shown, the idler gear is mounted on the pinion shaft to drive the calibrator gear directly for proper counter registration.



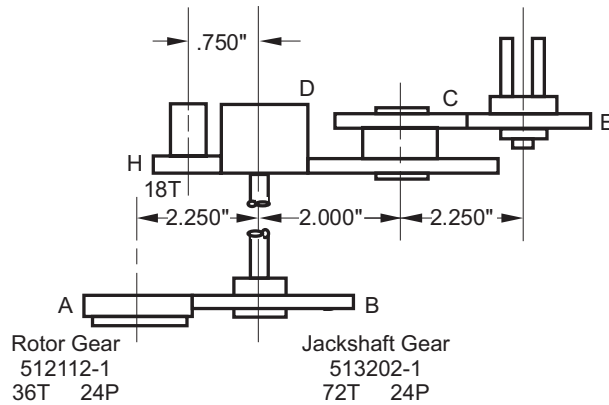
Output per Revolution of Calibrator	Percent Gearing	Gear C		Gear E	
		Part Number	Teeth	Part Number	Teeth
Standard Gearing					
5 US gal	95.83	008249002	46	008248001	60
5 US gal	99.13	008249002	46	519823001	58
5 US gal	113.84	072309002	51	072308001	56
5 imp gal	95.55	072076002	42	071007001	66
1 daL	96.15	072056002	64	070728001	44

Models

**F4-S1*, F4-A3,
F4-S3, F4-S5,
F4-S6, and F4-S7**

Metered volume per revolution of rotor:

2.000.....	US gallon (US gal)
1.665.....	Imperial gallon (imp gal)
0.757.....	Dekaliter (daL)
0.0476.....	Barrel (bbl)



Output per Revolution of Calibrator	Percent Gearing	Gear D		Gear H		Gear C		Gear E	
		Part Number	Teeth	Part Number	Teeth	Part Number	Teeth	Part Number	Teeth
Standard Gearing/Standard Trim									
5 US gal	95.83	514767001	46	n/a		514770001	46/46	008248001	60
5 US gal	98.79	514767001	46	n/a		533454001	49/46	516327001	62
5 US gal	100.00	514767001	46	n/a		518135001	48/46	008248001	60
5 US gal	113.84	514767001	46	n/a		538227001	51/46	072308001	56
5 imp gal	95.55	514767001	46	n/a		514769001	42/46	514368001	66
5 dekalitre	96.13	514767001	46	n/a		515932001	23/46	515934001	79
5 dekalitre	99.07	514767001	46	n/a		535691001	24/46	517267001	80
5 dekalitre	100.30	514767001	46	n/a		535691001	24/46	515934001	79
1 bbl	95.45	514363001	18	514361001	18	514366001	21/63	514368001	66
1 bbl	99.00	514363001	18	514361001	18	518510001	22/63	518239001	67
1 bbl	100.04	514363001	18	514361001	18	518510001	22/63	514368001	66
Standard Gearing/LPG Trim									
5 US gal	95.83	515070001	46	n/a		515071001	46/46	511858001	60
5 US gal	98.79	515070001	46	n/a		519456001	49/46	519457001	62
5 US gal	100.00	515070001	46	n/a		518399001	48/46	511858001	60
5 imp gal	95.55	515070001	46	n/a		515072001	42/46	512239001	66
5 imp gal	99.40	515070001	46	n/a		533517001	43/46	533578001	65
5 daL	96.13	515070001	46	n/a		516372001	23/46	516373001	79
5 daL	99.07	515070001	46	n/a		538722001	24/46	538723001	80
5 daL	100.30	515070001	46	n/a		538722001	24/46	515934001	79
1 bbl	95.45	515066001	18	515067001	18	515068001	21/63	512239001	66
1 bbl	99.00	515066001	18	515067001	18	517955001	22/63	534896001	67
1 bbl	100.04	515066001	18	515067001	18	517955001	22/63	515069001	66
Special Gearing/Standard Trim									
5 US gal	86.54	514767001	46	n/a		550873001	45/46	505507001	65
5 US gal	87.89	514767001	46	n/a		534033001	45/46	505593001	64
5 US gal	90.16	514767001	46	n/a		534872001	44/46	511501001	61
5 US gal	93.80	514767001	46	n/a		518425001	45/46	518427001	60
5 imp gal	93.28	514767001	46	n/a		539618001	41/46	514368001	66
1 daL	96.07	514767001	46	n/a		533722001	64/46	534326001	44
1 daL	99.84	514767001	46	n/a		550831001	65/46	513435001	43
1 daL	113.90	514767001	46	n/a		533423001	69/46	515054001	40
5 daL	85.48	514767001	46	n/a		550514001	22/46	533400001	85
5 daL	91.50	514767001	46	n/a		515932001	23/46	534450001	83
5 daL	93.77	514767001	46	n/a		515932001	23/46	538323001	81
1 bbl	89.59	514363001	18	514361001	18	539494001	20/63	518239001	67
1 bbl	90.95	514363001	18	514361001	18	539494001	20/63	514368001	66
1 bbl	93.80	514363001	18	514361001	18	514366001	21/63	518239001	67
Special Gearing/LPG Trim									
5 US gal	90.16	515070001	46	n/a		519162001	44/46	519163001	61
5 US gal	93.80	515070001	46	n/a		551445001	45/46	551446001	60
1 daL	99.84	515070001	46	n/a		550839001	65/46	550838001	43
Weight Gearing (Density)									
10 lb (6.7 lb/gal)	95.60	534734001	63	n/a		534733001	62/34	534735001	45

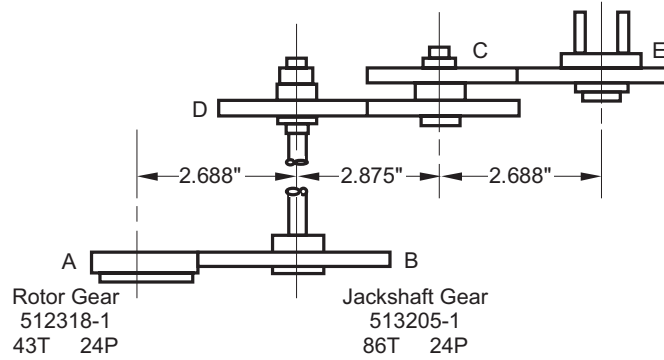
* 2005 to present.

Models

**ASG-6-NF,
ASG-6V-NF,
G6-A1, G6-S1,
G6-S3 ASME Section VIII,
SG-6-NF, and
SG-6V-NF**

Metered volume per revolution of rotor:

3.000.....US gallon (US gal)
2.500.....Imperial gallon (imp gal)
1.135.....Dekaliter (daL)



Output per Revolution of Calibrator	Percent Gearing	Gear D		Gear C		Gear E	
		Part Number	Teeth	Part Number	Teeth	Part Number	Teeth
Standard Gearing							
5 US gal	95.83	512314001	69	512313001	69/69	008248001	60
5 US gal	100.00	512314001	69	517832001	72/69	008248001	60
5 daL	95.40	512314001	69	516539001	39/69	514779001	90
5 daL	100.07	512314001	69	517884001	40/69	517885001	88
1 bbl	100.04	516534001	16	516536001	16/16	516415001	112
Special Gearing							
5 US gal	85.94	512314001	69	517761001	66/69	517762001	64
5 US gal	87.50	512314001	69	550883001	66/69	550881001	63
5 US gal	90.05	512314001	69	517474001	67/69	517191001	62
5 US gal	92.70	512314001	69	512313001	69/69	519632001	62
5 US gal	94.20	512314001	69	512313001	69/69	518613001	61
5 US gal	91.41	512314001	69	512313001	69/69	518660001	59
5 US gal	98.60	512314001	69	517832001	72/69	518848001	61
5 US gal	113.63	512314001	69	517373001	75/69	517374001	55
5 imp gal	94.00	512314001	69	516503001	63/69	518231001	67
5 imp gal	95.45	512314001	69	516503001	63/69	514778001	66
5 imp gal	98.83	512314001	69	519603001	85/69	519605001	86
5 imp gal	100.00	512314001	69	537176001	65/69	533518001	65
5 daL	88.58	512314001	69	539882001	37/69	538649001	92
5 daL	91.93	512314001	69	518709001	38/69	518624001	91
5 daL	93.00	512314001	69	518709001	38/69	514779001	90
5 daL	98.95	512314001	69	517884001	40/69	519373001	89
5 daL	114.00	512314001	69	533007001	44/69	518719001	85
1 bbl	94.00	516534001	16	516536001	16/16	535236001	119
1 bbl	95.76	516534001	16	516536001	16/16	516538001	117
1 bbl	99.11	516534001	16	516536001	16/16	518530001	113
1 bbl*	113.56	517874001	69	517878001	18/69	517876001	111
Weight Gearing (Specific Gravity (sp. gr.) or Density)							
50 lb (0.912 sp. gr.)	97.13	512314001	69	539882001	37/69	538649001	92
50 lb (0.970 sp. gr.)	98.40	512314001	69	516539001	39/69	514779001	90
50 lb (0.884 sp. gr.)	98.57	512314001	69	550220001	36/69	550224001	91
50 lb (5.6 lb/gal)	99.00	512314001	69	533991001	98/69	533989001	29
50 lb (0.8705 sp. gr.)	99.01	512314001	69	550220001	36/69	550222001	92
50 lb (0.880 sp. gr.)	99.02	512314001	69	550220001	36/69	550224001	91

* On gallon-dekaliter centers.

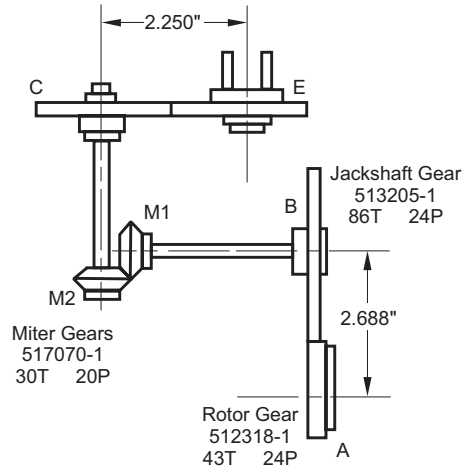
Models

G6-V1 and G6-V3

Metered volume per revolution of rotor:

3.000.....US gallon (US gal)

Note: As in the case of the F4-V1 trains, the idler gear is mounted on the pinion shaft to drive the calibrator gear directly, for proper counter registration.



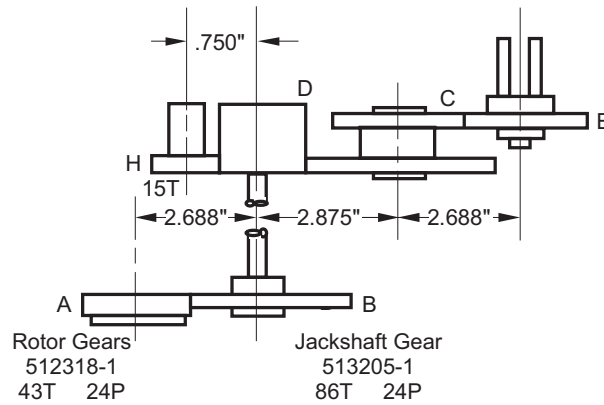
Output per Revolution of Calibrator	Percent Gearing	Gear D		Gear C		Gear E	
		Part Number	Teeth	Part Number	Teeth	Part Number	Teeth
Standard Gearing							
5 US gal	95.91	n/a		517166002	61	517165001	53
5 US gal	99.35	n/a		517717001	62/61	517719001	52
5 imp gal	96.36	n/a		534776001	53	517872001	55
5 daL	95.80	n/a		533337001	33	533339001	76
5 daL	98.54	n/a		539674001	34	533339001	76
Special Gearing							
5 US gal	89.75	n/a		534873001	56	535031001	52
5 US gal	91.50	n/a		534873001	56	534874001	51
5 US gal	95.91	008219001	46	535966001	61/46	517165001	53

Models

**G6-A3, G6-S3,
G6-S5, G6-S6,
and G6-S7**

Metered volume per revolution of rotor:

3.000.....US gallon (US gal)
1.1355.....Dekaliter (daL)
0.0714.....Barrels (bbl)



Output per Revolution of Calibrator	Percent Gearing	Gear D		Gear H		Gear C		Gear E	
		Part Number	Teeth	Part Number	Teeth	Part Number	Teeth	Part Number	Teeth
Standard Gearing/Standard Trim									
5 US gal	95.83	515111001	69	n/a		534409001	69/69	534410001	60
5 US gal	98.60	514777001	69	n/a		517538001	72/69	518848001	61
5 US gal	100.00	514777001	69	n/a		517538001	72/69	517539001	60
5 US gal	113.63	514777001	69	n/a		533161001	75/69	517374001	55
5 imp gal	95.45	514777001	69	n/a		514775001	63/69	514778001	66
5 daL	95.40	514777001	69	n/a		514776001	39/69	514779001	90
5 daL	98.99	514777001	69	n/a		533497001	40/69	519373001	89
5 daL	100.07	514777001	69	n/a		533497001	40/69	517885001	88
1 bbl	95.39	514374001	15	514376001	15	514373001	29/56	514379001	57
1 bbl	98.80	514374001	15	514376001	15	518512001	39/56	533456001	74
1 bbl	100.20	514374001	15	514376001	15	518512001	39/56	518514001	7
1 bbl	113.14	514374001	15	514637001	15	522470001	38/56	514632001	63
Standard Gearing/LPG Trim									
5 US gal	95.83	514777001	69	n/a		519596001	69/69	517539001	60
5 US gal	100.00	515111001	69	n/a		534454001	72/69	534455001	60
5 imp gal	95.45	515111001	69	n/a		515114001	63/69	515115001	66
5 daL	95.40	515111001	69	n/a		515116001	39/39	515117001	90
5 daL	98.99	515111001	69	n/a		551071001	40/69	551072001	89
1 bbl	95.39	515107001	15	515108001	15	515109001	29/56	515110001	57
1 bbl	98.80	515107001	15	515108001	15	534897001	39/56	534898001	74
1 bbl	100.20	515107001	15	515108001	15	534372001	39/56	534373001	73
Special Gearing/Standard Trim									
5 US gal	92.70	514777001	69	n/a		519596001	69/69	519632001	62
5 US gal	91.30	514777001	69	n/a		519596001	69/69	P8000006597	63
5 imp gal	89.80	514777001	69	n/a		518713001	61/69	518715001	68
5 imp gal	94.00	514777001	69	n/a		514775001	63/69	518239001	67
5 daL	90.94	514777001	69	n/a		518622001	38/69	538649001	92
5 daL	91.93	514777001	69	n/a		518622001	38/69	518624001	91
1 bbl	91.30	514374001	15	514376001	15	533013001	33/56	514773001	68
Special Gearing/LPG Trim									
1 bbl	89.10	515107001	15	515108001	15	502749001	33/56	517525001	69
1 bbl	94.50	514374001	15	514376001	15	534498001	42/56	516449001	86
Special Gearing (Density)									
50 lb (5.6 lb/gal)	99.00	514777001	69	n/a		533995001	97/69	533989001	29

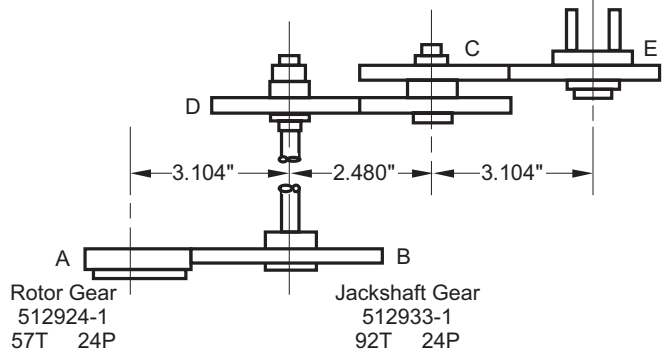
Models

H8-S1 and H8-S3 ASME Section VIII

Metered volume per revolution of rotor:

- 4.996.....Imperial gallons (imp gal)
- 0.2271.....Hectoliters (hl)
- 0.1428.....Barrels (bbl)

Note: Manufactured after November 1967.



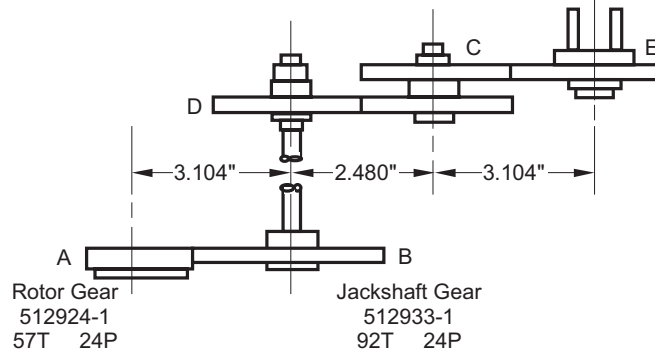
Output per Revolution of Calibrator	Percent Gearing	Gear D		Gear C		Gear E	
		Part Number	Teeth	Part Number	Teeth	Part Number	Teeth
Standard Gearing							
1 hl	95.85	518442001	59	518441001	39/59	514803001	111
1 hl	100.10	518442001	59	519403001	40/59	519405001	109
1 bbl	96.41	518442001	59	518443001	20/59	513059001	90
1 bbl	100.00	518442001	59	518443001	20/59	518421001	87
Special Gearing							
10 US gal	96.55	518442001	59	518434001	72/59	518438001	77
10 US gal	99.13	518442001	59	518434001	72/59	538312001	75
10 imp gal	89.80	518442001	59	533852001	63/59	533853001	87
10 imp gal	95.96	518442001	59	518437001	65/59	518440001	84
5 daL	95.64	518442001	59	550485001	61/59	550483001	87
5 daL	98.78	518442001	59	533852001	63/59	533853001	87
5 daL	99.93	518442001	59	533852001	63/59	550226001	86
1 hl	93.40	518442001	59	519932001	38/59	514803001	111
1 hl	99.20	518442001	59	519403001	40/59	517860001	110
1 hl	96.73	518442001	59	518441001	39/59	518064001	110
1 bbl	92.60	518442001	59	533459001	26/59	518161001	122
Weight Gearing (Density)							
10 lb (5.6 lb/gal)	99.00	534001001	80	533993001	105/37	533994001	42

Models

**H8-S3, H8-S5,
H8-S6, and H8-S7**

Metered volume per revolution of rotor:

4.996.....Imperial gallons (imp gal)
0.2271.....Hectoliters (hl)
0.1428.....Barrels (bbl)



Output per Revolution of Calibrator	Percent Gearing	Gear D		Gear C		Gear E	
		Part Number	Teeth	Part Number	Teeth	Part Number	Teeth
Standard Gearing/Standard Trim							
10 US gal	96.55	514806001	59	518433001	72/59	518438001	77
10 US gal	99.13	514806001	59	518433001	72/59	538312001	75
10 imp gal	95.96	514806001	59	518436001	65/59	518440001	84
1 hl	95.85	514806001	59	514814001	39/59	514803001	111
1 hl	99.00	514806001	59	517858001	40/59	517860001	110
1 hl	100.10	514806001	59	517858001	40/59	519405001	109
1 bbl	96.41	514806001	59	514813001	20/59	513059001	90
1 bbl	98.80	514806001	59	514813001	20/59	534900001	88
1 bbl	100.00	514806001	59	514813001	20/59	518421001	87
1 bbl	113.98	514806001	59	552472001	31/59	552474001	118
Standard Gearing/LPG Trim							
10 imp gal	95.96	515163001	59	518456001	65/59	518457001	84
1 hl	95.85	515163001	59	515171001	39/59	515172001	111
1 hl	100.10	515163001	59	550466001	40/59	550467001	109
1 bbl	96.41	515163001	59	515164001	20/59	515165001	90
1 bbl	98.80	515163001	59	515164001	20/59	534900001	88
1 bbl	100.00	515163001	59	515164001	20/59	551906001	87
Special Gearing/Standard Trim							
5 US gal*	96.44	514805001	65	514811001	90/54	515375001	58
5 US gal*	100.00	514805001	65	P8000005069	90/53	P8000005068	57
5 imp gal*	92.73	514805001	65	519189001	82/54	519191001	66
5 imp gal*	96.45	514805001	65	514812001	84/54	514802001	65
10 imp gal	90.60	514806001	59	518717001	62/59	518719001	85
10 imp gal	91.93	514806001	59	519231001	63/59	518719001	85
5 daL	99.50	514806001	59	518717001	62/59	518719001	85
5 daL	99.93	514806001	59	519231001	63/59	550226001	86
1 hl	91.74	514806001	59	518626001	38/59	518628001	113
1 hl	93.40	514806001	59	534381001	38/59	514803001	111
1 hl	96.73	514806001	59	514814001	39/59	518064001	110
1 bbl	92.60	514806001	59	518159001	26/59	518161001	122
Weight Gearing (Specific Gravity)							
1 lb (0.970 sp. gr.)	96.33	514806001	59	534381001	38/59	514803001	111

* Right-hand meter only.

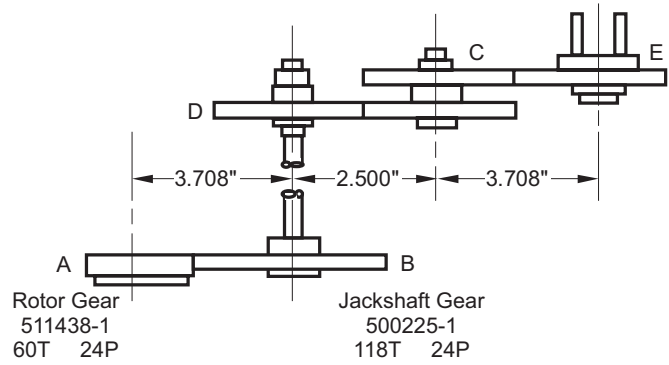
Models

**JA10-S3, JA10-S5,
JA10-S6, and JA10-S7**

(also applies to B-170, B-250, D-250,
J10-S1, J10-S3 ASME Section VIII,
J10-S4, J10-S5, J10-S6, J10-S7,
JA10-S1, M-250, W-170, and W-250)

Metered volume per revolution of rotor:

8.253.....Imperial gallon (imp gal)
0.3752Hectoliters (hl)
0.236.....Barrels (bbl)



Output per Revolution of Calibrator	Percent Gearing	Gear D		Gear C		Gear E	
		Part Number	Teeth	Part Number	Teeth	Part Number	Teeth
Standard Gearing/Standard Trim							
10 imp gal*	96.20	515661001	30	515664001	77/40	516384001	99
10 imp gal*	98.84	515661001	80	515664001	77/40	519729001	96
10 imp gal*	99.87	515661001	80	515664001	77/40	519161001	95
10 imp gal*	114.42	511561001	78	516587001	89/42	511565001	89
1 hl	96.05	500704001	60	505002001	73/60	512339001	103
1 hl	98.68	500704001	60	517263001	75/60	512339001	103
1 hl	100.00	500704001	60	517615001	76/60	512339001	103
1 hl	114.12	500704001	60	519930001	80/60	519161001	95
1 bbl	96.34	500704001	60	500705001	55/60	500236001	123
1 bbl	99.04	500704001	60	504793001	57/60	504795001	124
1 bbl	99.85	500704001	60	504793001	57/60	553669001	123
1 bbl	114.18	500229001	60	502519001	62/60	502521001	116
Standard Gearing/LPG Trim							
1 hl	96.05	500704001	60	515336001	73/60	515337001	103
1 bbl	96.34	500704001	60	512793001	55/60	512792001	123
Special Gearing/Standard Trim							
5 US gal*	96.87	512249002	88	514701001	103/32	514702001	75
5 US gal*	99.93	511878001	90	513941002	100/30	513944002	77
10 US gal*	96.00	512249001	88	519996001	72/32	519998001	106
10 US gal**	95.98	N/A	60	554444001	118/60	554443001	90
10 US gal**	100.80	N/A	60	554563001	116/60	554564001	62
50 US gal	96.68	500704001	60	537126001	49/60	537128001	130
5 imp gal*	95.94	512249001	88	512250001	94/32	512251001	83
5 imp gal*	99.17	512249001	88	519385001	96/32	519386001	82
10 imp gal*	94.88	515661001	80	515664001	77/40	536539001	100
1 hl	93.83	500704001	60	515302001	72/60	515304001	104
1 hl	97.36	500704001	60	537124001	74/60	512339001	103
1 bbl	87.80	500704001	60	539928001	51/60	539929001	125
1 bbl	89.63	500704001	60	516349001	52/60	512903001	125
1 bbl	94.00	500704001	60	516304001	55/60	504194001	126
1 bbl*	99.97	512362001	57	512365001	60/63	504632001	117
Special Gearing/LPG Trim							
5 US gal*	99.93	511878001	90	513941001	100/30	513944001	77
5 imp gal*	95.94	512249001	88	515334001	94/32	515335001	83
5 imp gal*	97.98	512249001	88	518152001	96/32	518185001	83
5 imp gal*	99.17	512249001	88	518152001	96/32	518154001	82
5 imp gal*	100.40	512249001	88	518152001	96/32	518187001	81
10 imp gal*	98.84	515661001	80	519730001	77/40	519731001	96
1 bbl	87.80	500704001	60	519193001	51/60	519195001	125
1 bbl	92.32	500704001	60	518954001	54/60	518955001	126
1 bbl*	99.97	512362001	57	516175001	60/63	516176001	117

* Right-hand meter only.

** Left-hand meter only.

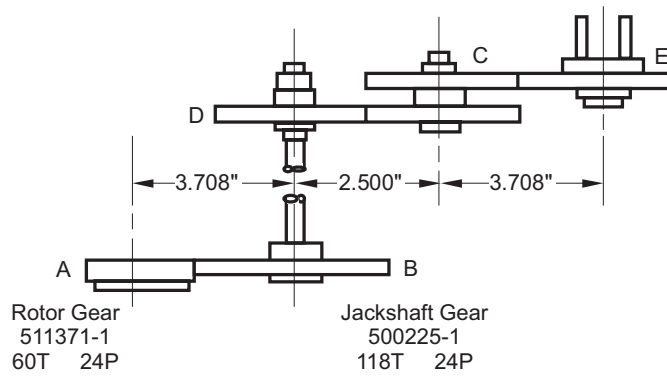
Models

**JB10-S3, JB10-S5,
JB10-S6, and JB10-S7
3-Blade**

(also applies to JB10-S1 and
JB10-S3 ASME Section VIII)

Metered volume per revolution of rotor:

9.658.....	US gallons (US gal)
8.042.....	Imperial gallon (imp gal)
0.3656.....	Hectoliters (hl)
0.230.....	Barrels (bbl)



Output per Revolution of Calibrator	Percent Gearing	Gear D		Gear C		Gear E	
		Part Number	Teeth	Part Number	Teeth	Part Number	Teeth
Standard Gearing/Standard Trim							
10 imp gal	95.93	512249001	88	536526001	64/32	502521001	116
1 hl	96.29	500704001	60	515302001	72/60	515304001	104
1 hl	99.92	500704001	60	537124001	74/60	512339001	103
1 bbl	96.50	500704001	60	516304001	55/60	504194001	126
1 bbl	98.86	500704001	60	500705001	55/60	500236001	123
1 bbl	100.00	500704001	60	504793001	57/60	537172001	126
1 bbl	113.37	500704001	60	550769001	60/60	504632001	117
Standard Gearing/LPG Trim							
10 imp gal	95.93	512249001	88	536530001	64/32	536531001	116
1 hl	96.29	500704001	60	536532001	72/60	536533001	104
1 hl	99.92	500704001	60	550465001	74/60	515337001	103
1 bbl	96.50	500704001	60	536528001	55/60	536529001	126
1 bbl	100.00	500704001	60	504793001	57/60	536529001	126
Special Gearing/Standard Trim							
5 US gal*	99.40	512249002	88	514701001	103/32	514702001	75
1 hl	92.29	500704001	60	551781001	71/60	551783001	107
1 hl	94.47	500704001	60	515302001	72/60	519998001	106
1 hl	99.34	500704001	60	517263001	75/60	505004001	105
1 bbl	91.96	500704001	60	516349001	52/60	512903001	125
Special Gearing/LPG Trim							
1 hl	94.47	500704001	60	536532001	72/60	539669001	106

* Right-hand meter only.

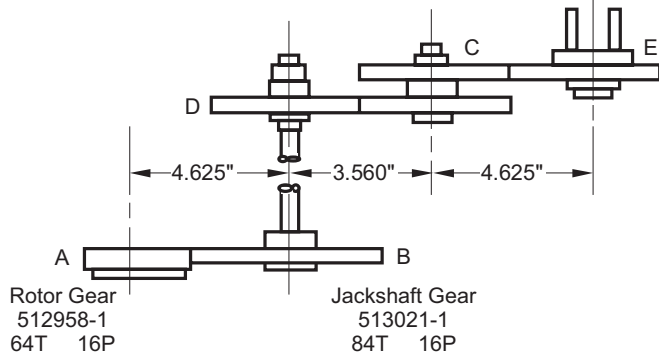
Models

**K12-S3, K12-S5,
K12-S6, and K12-S7**

(also applies to K12-S1 and
K12-S3 ASME Section VIII)

Metered volume per revolution of rotor:

17.396.....Imperial gallon (imp gal)
0.7946Hectoliters (hl)
0.500.....Barrels (bbl)



Output per Revolution of Calibrator	Percent Gearing	Gear D		Gear C		Gear E	
		Part Number	Teeth	Part Number	Teeth	Part Number	Teeth
Standard Gearing/Standard Trim							
50 US gal	95.48	512951001	57	536933001	50/57	536935001	95
50 imp gal	96.00	512951001	57	534715001	45/57	534716001	103
1 hl	95.84	512951001	57	518415001	74/57	518417001	74
1 hl	98.50	512951001	57	534704001	75/57	534705001	73
1 hl	99.90	512951001	57	534704001	75/57	535083001	72
1 hl	114.20	512951001	57	519859001	81/57	519861001	68
1 bbl	95.45	512951001	57	512948001	57/57	512947001	91
1 bbl	98.60	512951001	57	517621001	59/57	533458001	91
1 bbl	100.00	512951001	57	517621001	59/57	517623001	90
1 bbl	113.82	512951001	57	512272001	62/57	512274001	83
Standard Gearing/LPG Trim							
10 bbl	100.00	512951001	57	550705001	59/57	550706001	90
Special Gearing/Standard Trim							
1 hl	92.20	512951001	57	518618001	73/57	518620001	76
1 hl	94.59	512951001	57	518618001	73/57	539868001	74
1 bbl	92.80	512951001	57	518733001	56/57	518735001	92
10 US gal	100.00	512951001	57	P8000007441	110/57	P8000007440	40

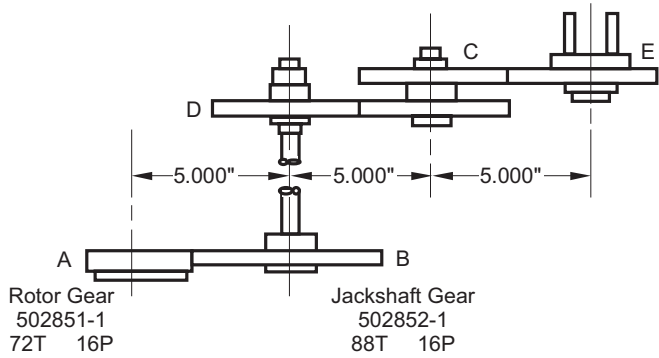
Models

**M16-S3, M16-S5, and
M16-S6**

(also applies to B-875, M16-S1,
M16-S3 ASME Section VIII,
and W-875)

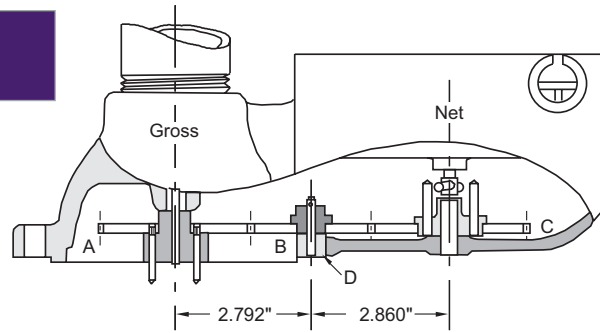
Metered volume per revolution of rotor:

34.792.....Imperial gallon (imp gal)
1.5892Hectoliters (hl)
1.000.....Barrels (bbl)



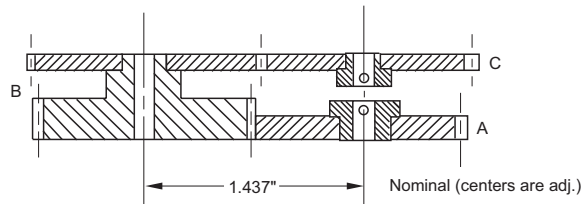
Output per Revolution of Calibrator	Percent Gearing	Gear D		Gear C		Gear E	
		Part Number	Teeth	Part Number	Teeth	Part Number	Teeth
Standard Gearing/Standard Trim							
5 hl	95.39	502908001	80	539322001	43/80	539324001	116
5 hl	99.83	502908001	80	539445001	45/80	539324001	116
1 bbl	95.08	502908001	80	502910001	86/80	502913001	74
1 bbl	98.86	502908001	80	519876001	87/80	512843001	72
1 bbl	100.00	502908001	80	512841001	88/80	512843001	72
1 bbl	113.57	502908001	80	504572001	93/80	504574001	67
Special Gearing/Standard Trim							
1 hl	99.04	502908001	80	519375001	102/80	519377001	53
5 hl	97.61	502908001	80	539497001	44/80	539324001	116

Model Offset-Dual Head



Percent Gearing	Gear A		Gear B		Gear C		D Bushings
	Part Number	Teeth	Part Number	Teeth	Part Number	Teeth	
Standard Gearing							
95.58	070478001	65	070479001	70/70	070480001	68	116080001
100.00	070478001	65	071883001	65/71	071882001	65	116080001
Special Gearing							
77.02	514037001	57	070479001	70/70	514039001	74	514040001
84.72	513716001	61	070479001	70/70	513718001	72	513727001
86.11	513721001	62	070479001	70/70	513718001	72	513727001
88.57	513721001	62	071883001	71/71	514300001	70	513727001
90.00	516481001	63	071883001	71/71	514300001	70	116080001
91.30	516481001	63	070479001	70/70	501858001	69	116080001
92.75	501856001	64	070479001	70/70	501858001	69	116080001
94.20	070478001	65	070479001	70/70	501858001	69	116080001
97.01	070478001	65	070479001	70/70	537047001	67	116080001
107.81	515355001	69	070479001	70/70	515357001	64	514040001

Model Single-Head ATC



Percent Gearing	Gear A		Gear B		Gear C	
	Part Number	Teeth	Part Number	Teeth	Part Number	Teeth
Standard Gearing						
95.29	519273001	60	519276001	31/32	519274001	61
Special Gearing						
84.96	519273001	60	537656001	29/32	537657001	64
89.27	519273001	60	534263001	30/32	534262001	63
92.21	519273001	60	534263001	30/32	519274001	61
92.26	519273001	60	519276001	31/32	534262001	63
93.75	519273001	60	519276001	31/32	536186001	62

Revisions included in AB01023 Issue/Rev. 0.7 (10/21): ASME Section VIII meters added.

The specifications contained herein are subject to change without notice and any user of said specifications should verify from the manufacturer that the specifications are currently in effect. Otherwise, the manufacturer assumes no responsibility for the use of specifications which may have been changed and are no longer in effect.

USA Operation
1602 Wagner Avenue
Erie, Pennsylvania 16510 USA
P:+1 814.898.5000

TechnipFMC
Measurement and Product Solutions
13460 Lockwood Road
Building S01
Houston, Texas 77044 USA
P:+1 281.591.4000

Germany Operation
Smith Meter GmbH
Regentstrasse 1
25474 Ellerbek, Germany
P:+49 4101 304.0