



# PBSSC / LNC / TP Adaptation Guide

Bulletin AB01026 Issue/Rev. 0.5 (9/14)

**We put you first.  
And keep you ahead.**

## STANDARD LNC, TP, AND PBSSC ADAPTATIONS

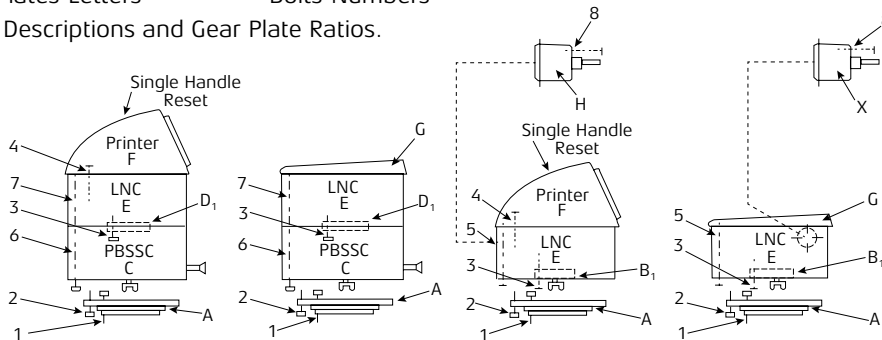
### Character Key

Modules and Gear Plates-Letters

Bolts-Numbers

See Page 4 for Bolt Descriptions and Gear Plate Ratios.

Figure 1

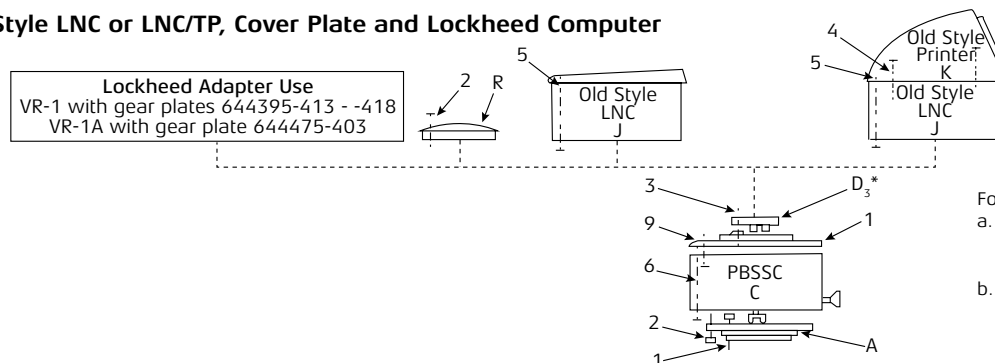


	Description	Part Number	Gasket Number
A	Smith Meter to V/R Bolt Circle Adapter (3/4" Ht.)	004649-001	002536-001
B <sub>1</sub>	Standard Gear Plate	640966-401 through -408	
C	300C Series PBSSC	644398-401 through -403	
D <sub>1</sub>	Up/Down Gear Plate	644395-401 through -406 and 644475-401 and -404	
E	Large Numerical Counter (LNC)	644393-401 through -405	
F	Printer	644394-401 through -406	
G	Cover and Reset Knob	644397-401	
<b>Options:</b>			
H	Tray Actuated Microswitch	644473-401	
X	Transmitter 10 Pulse/Rev	644474-408	
	1 Pulse/Rev	644474-407	
	100 Pulse/Rev	644474-409	
	50 Pulse/Rev	644474-410	

## SERIES 300C PBSSC

### Old Style LNC or LNC/TP, Cover Plate and Lockheed Computer

Figure 2



For adaptation with Cover Plate<sup>1</sup>:

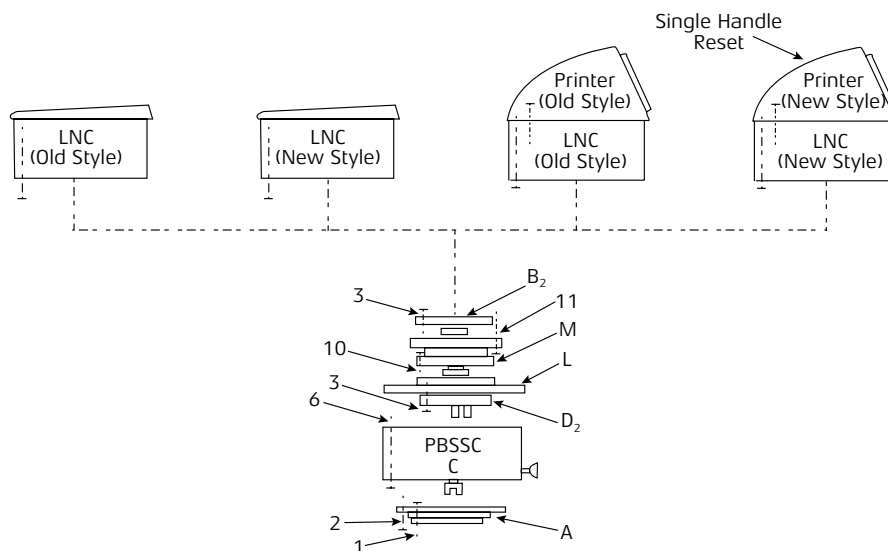
- Use D<sub>3</sub> (1:1 or 2:1) Type Up/Down Gear Plate Less Bevel Gear
- Mount Gear Plate on underside of Retrofit Adapter

	Description	Part Number	Gasket Number
A	Smith to V/R Bolt Circle Adapter (3/4" Ht.)	004649-001	002536-001
C	300C Series PBSSC	644398-401 through -403	
D <sub>3</sub>	Up/Down Gear Plate	644395-413 through 418 and 644475-403 <sup>1</sup>	
1	Retrofit Adapter (3/8" Ht.)	644400-401	
J	Old Style LNC (Less Gear Plate)	-	
K	Old Style Printer	-	
R	Cover Plate (For Standalone)	519917-001	006949-002

<sup>1</sup> Used with Lockheed only.

SERIES 300C PBSSC WITH SWIVEL ADAPTER

Figure 3

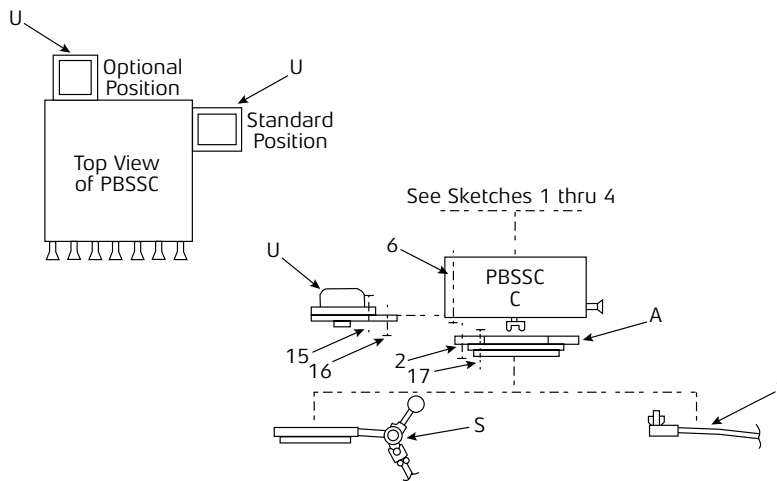


	Description	Part Number	Gasket Number
A	Smith Meter to V/R Bolt Circle Adapter (3/4" Ht.)	004649-001	002536-001
C	300C Series PBSSC	644398-401 through -403	
D <sub>2</sub>	Up/Down Gear Plate	644395-407 through -412 and 644475-402 and -405	
L	Standalone Preset Adapter (1-3/32" Ht.)	644400-402	
M <sub>2</sub>	Swivel Adapter (1-1/4" Ht.) with	640372-001	535398-001
B <sub>2</sub>	1:1 Reversing Gear Plate	-	

SERIES 300C PBSSC

"T" Meter Set Stop Faucet and Line Meter Mechanical Set Stop Valve

Figure 4



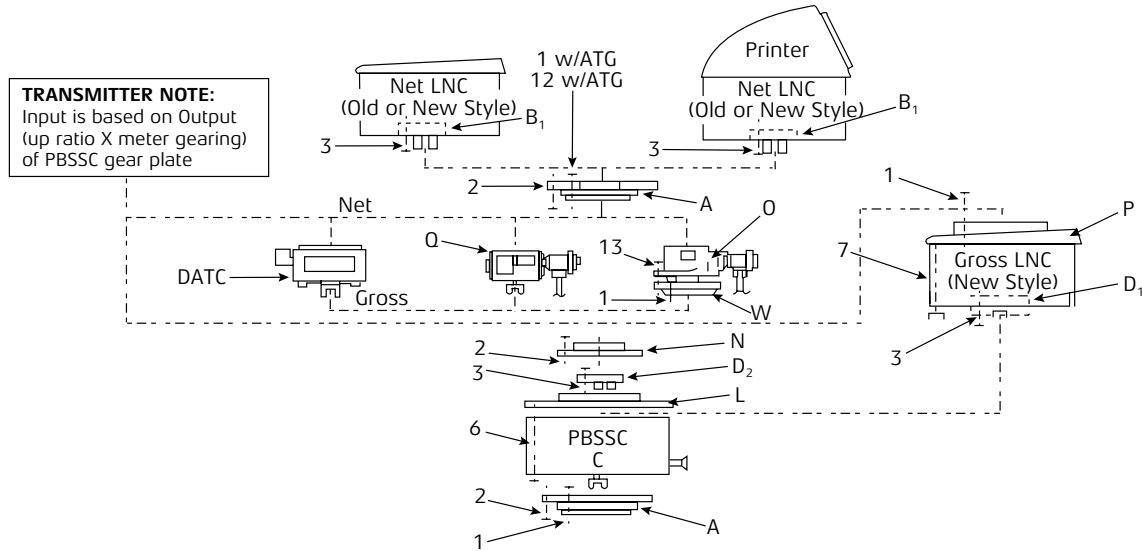
	Description	Part Number	Gasket Number
A	Smith Meter to V/R Bolt Circle Adapter (3/4" Ht.)	004649-001	002536-001
S	Valve Linkage Assembly (5/8" High Either) S1 - Straight Through Type Meters S2 - Angle Type Meters	538908-001 538909-001	002536-001 002536-001
T	"T" Meter Linkage Assembly	Included with Faucet	
<b>Options:</b>			
U	2 SPDT Microswitch Kit (Pump Control)	644399-402	
C	300C Series PBSSC	644398-401 through -403	

2 Add: Gear Adapter Kit 539099-001 with D<sub>2</sub> Gear plates 644395-407 through -412.  
Shaft and Coupling Kit 552824-001 with D<sub>2</sub> Gear Plate 644475-402 and -405.

SERIES 300C PBSSC

Single Head ATC or ATG, Gross LNC, and Transmitter

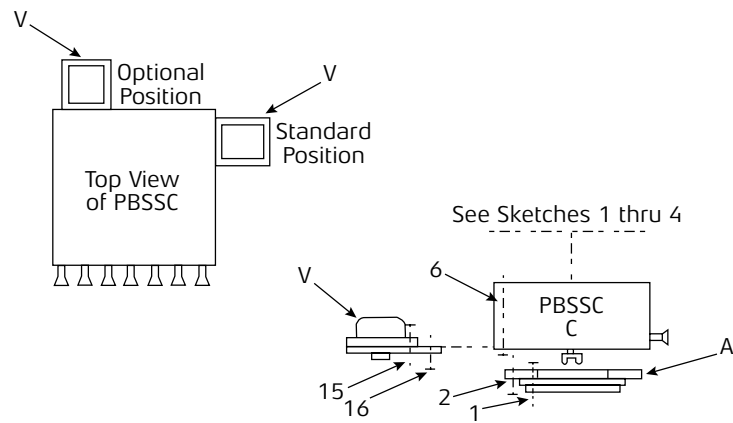
Figure 5



	Description	Part Number	Gasket Number
A	Smith Meter to V/R Bolt Circle Adapter (2 Req.) (3/4" Ht.)	004649-001	002536-001 (2 Req.)
L	Standalone Preset Adapter (1-3/32" Ht.)	644400-402	
D <sub>2</sub>	Up/Down Gear Plate	644395-407 through -412	
N	PBSSC Accessory Adapter (Converts V/R to Smith Meter B.C.) (1-1/8" Ht.)	539100-001	006949-002
O	Single Head ATG	-	
W	ATG Adapter ATG Coupling with "N" Module (with "P" Module)	506201-001 519665-001 (506407-001)	002536-001
Q	Single Head ATC	-	002536-001
B <sub>1</sub>	Standard Gear Plate with 1:1 Gear Ratio	640966-402	
P	Gross LNC Cover Adapter Kit	519288-001	
D <sub>1</sub>	Up/Down Gear Plate	644395-401 through -406	
C	300C Series PBSSC	644398-401 through -403	

300C SERIES PBSSC WITH ELECTRICALLY ACTUATED SET STOP VALVE

Figure 6



Description	Part Number	Gasket Number
A	Smith Meter to V/R Bolt Circle Adapter (3/4" Ht.)	002536-001
C	300C Series PBSSC	644398-401 through -403
D <sub>2</sub>	4 SPDT Microswitch and Start Handle Kit	644399-401

**We put you first.  
And keep you ahead.**

## BOLT LIST

No.	Part No.	No.	Part No.		
1	Smith Meter to V/R Bolt Circle Adapter to Meter 4 Fil. Hd. Screws (3/8-16 x 3/4" Lg.) 4 3/8" Shake Proof Lockwashers	006718-002 005791-400	9	Retrofit Adapter to LNC 4 Hex. Hd. Screws (1/4-28 x 11/16" Lg.) 4 1/4" Shake Proof Lockwashers	503612-004 065369-002
2	Smith Meter to V/R Bolt Circle Adapter to LNC or PBSSC 4 Hex. Hd. Screws (1/4-28 x 5/8" Lg.) 4 1/4" Shake Proof Lockwashers	065158-003 006825-400	10	Standalone Preset Adapter to Swivel 4 Hex. Hd. Screws (1/4-28 x 11/16" Lg.) 4 1/4" Shake Proof Lockwashers	503627-085 510003-006
3	Gear Plate (Standard or Up/Down Type) All Variations 2 Flat Fil. Hd. Screws (8-32 x 1/4")	502230-001	11	Swivel to Register 4 Hex. Hd. Screws (1/4-28 x 3/4" Lg.) with Holes 4 1/4" Shake Proof Lockwashers	503645-005 510003-006
4	Printer to Chassis 4 Hex. Hd. Screws (1/4"-28 x 11/16" Lg.) 4 1/4" Shake Proof Lockwashers 4 Hex. Hd. Nut (1/4"-28)	503652-001 510003-006 511019-030	12	Smith Meter to V/R Bolt Circle Adapter and ATC to PBSSC Accessory Adapter 2 Fil. Hd. Screws (3/8-16 x 3" Lg.) 2 3/8" Shake Proof Lockwashers	(004649-001) (539100-001) 060106-001
5	LNC to Printer or Cover (without PBSSC) 4 Hex. Hd. Screws (1/4"-20 x 4.312" Lg.) with Wire Hole 4 1/4" Shake Proof Lockwashers	503344-032 510003-006	13	ATG Adaptor to ATG 2 Hex. Hd. Screws (3/8-16 x 1-1/4" Lg.) 2 3/8" Shake Proof Lockwashers	062238-401 060106-001
6	PBSSC to LNC or Adapter (Retrofit or Standalone) 2 (Front) Hex. Hd. Screws (1/4"-20 x 3-1/6" Lg.) with Wire Hole 2 (Rear) Hex. Hd. Screws <sup>3</sup> (1/4"-20 x 3-1/6" Lg.) 4 1/4" Shake Proof Lockwashers	503300-100 503300-112 510003-006	14	Microswitch to PBSSC 1 Hex. Hd. Screw (1/4-20 x 3.52" Lg.) 1 1/4" Lockwasher	503300-113 510003-006
7	LNC to Printer or Cover (with PBSSC) 4 Special Screws (1/4-20 x 4-3/8" Lg.) 4 1/4" Shake Proof Lockwashers	319944-001 510003-006	15	Microswitch to PBSSC 1 Hex. Hd. Screw (1/4-28 x 3/4" Lg.) 1 1/4" Lockwasher	503619-001 510003-006
8	Tray Actuated Microswitch to LNC 3 Hex. Hd. Screws (1/4-20 x 1/2" Lg.) 3 1/4" Shake Proof Lockwashers	503328-001 510020-001	16	Smith Meter to V/R Bolt Circle Adapter and Valve Linkage Assembly to Meter 2 Fil. Hd. Screws (3/8-16 x 1-1/2" Lg.) 2 3/8" Shake Proof Lockwashers	060452-002 060106-001

## GEAR PLATE RATIOS

B <sub>1</sub> Standard Gear Plates	1:5 - 640966-401	10:1 - 640966-405	D <sub>2</sub> Up/Down Gear Plates for PBSSC with Standalone Preset ADA	1:1 - 644395-407	10:1 - 644395-410
	1:1 - -402	42:1 - -406		2:1 - -408	42:1 - -411
	2:1 - -403	20:1 - -407		8.4:1 - -409	20:1 - -412
	8.4:1 - -404	5:1 - -408		1:1 Up/10:1 Down - 644475-402 1:1 Up/2:1 Down - 644475-405	
B <sub>2</sub> Reversing Gear Plates (Used with Swivels)	1:1 - Included with Adapter		D <sub>3</sub> Up/Down Gear Plates for PBSSC with Retrofit ADA	1:1 - 644395-413	10:1 - 644395-416
	D <sub>1</sub> Up/Down Gear Plates for PBSSC with LNC	1:1- 644395-401		10:1- 644395-404	2:1 - -414
2:1- -402		42:1- -405		8.4:1- -415	20:1 - -418
8.4:1- -403		20:1- -406		1:1 Up/Down 10:1 Down - 644475-403 <sup>4</sup>	
	1:1 Up/ 10:1 Down - 644475-401				
	1:1 Up/ 2:1 Down - 644475-404				
	1:1 Up/ 8.4:1 Down - 644475-407				

- 3 When Microswitch Kit (Figure 5 or 6) is included, only one bolt is required.  
4 Only used with Lockheed Adapter VR - 1A.

### Revisions included in AB01026 Issue/Rev. 0.5 (9/14):

Page 4: No. 2 on Bolt List - revised part no.

The specifications contained herein are subject to change without notice and any user of said specifications should verify from the manufacturer that the specifications are currently in effect. Otherwise, the manufacturer assumes no responsibility for the use of specifications which may have been changed and are no longer in effect.

Contact information is subject to change. For the most current contact information, visit our website at [www.fmctechnologies.com/measurementsolutions](http://www.fmctechnologies.com/measurementsolutions) and click on the "Contact Us" link in the left-hand column.