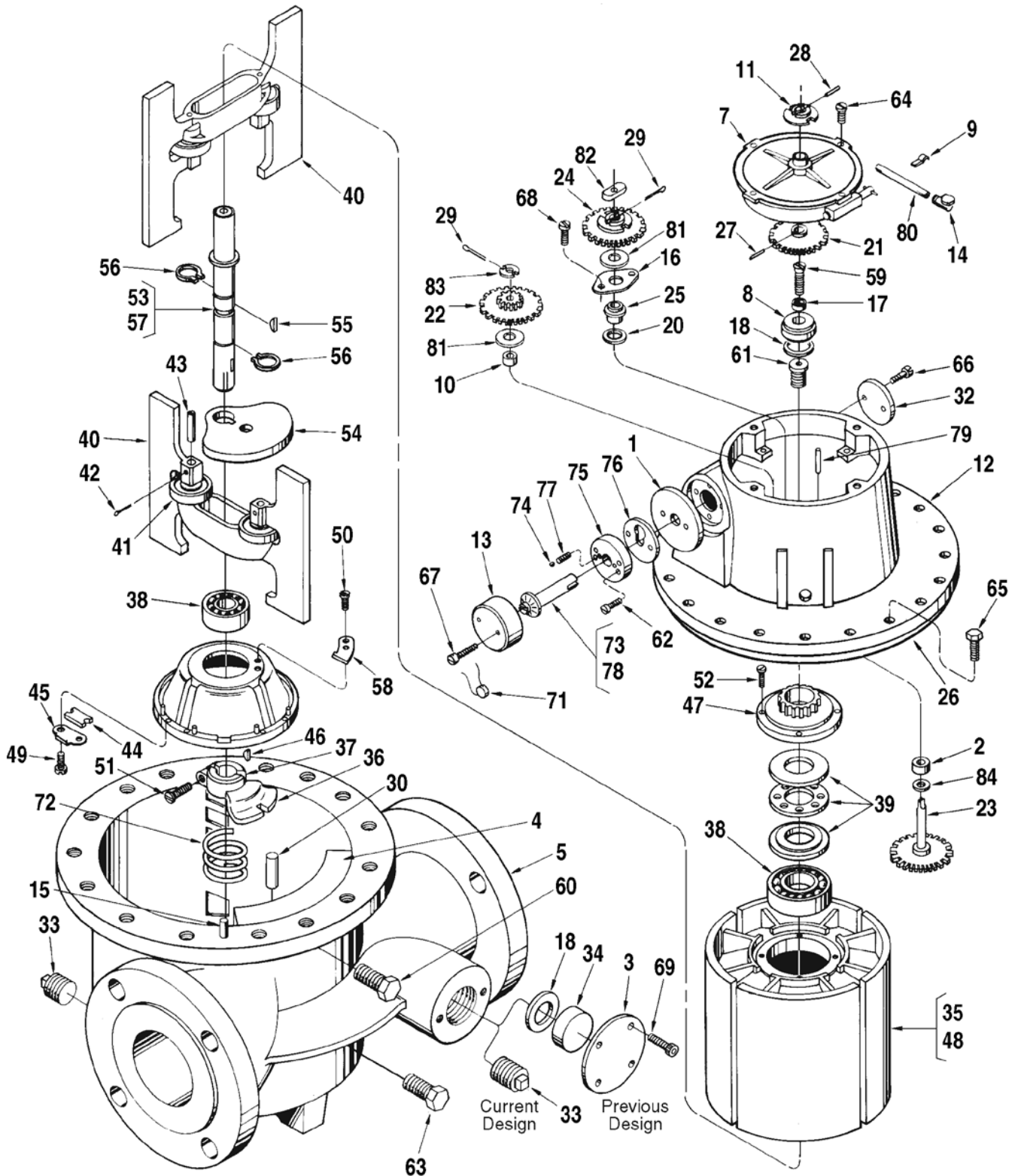


Meter, PD, SD-30

Bulletin P001008 Issue/Rev. 0.1 (4/15)



We put you first.
And keep you ahead.



Item		Description	Quantity	Part Number
1		Adapter	1	512372-001
2		Bearing, Shaft	1	011680-001
3		Blind (Previous Design)	1	011941-001
4		Block:		
		Standard	1	538294-001
		Low Flow	1	538294-002
		High Viscosity (2,000 SSU–10,000 SSU)	1	538294-041
5		Body:		
		SD-30 Ductile Iron	1	538259-002
6	R *	Bushing (Not available for individual sale)	1	Note 1
7	+	Calibrator:		
		Manual	1	512059-001
		Temperature Compensated (Standard)	1	512060-001
	@1	Temperature Compensated (Special Temp. or API)	1	516130-xxx
		Dummy Calibrator	1	516105-001
8		Cap, Screw	1	013667-001
9		Clamp, Tube	1	003905-001
10		Collar	1	011327-001
11	+	Coupling, Drive	1	072103-002
12	R	Cover, Ductile Iron	1	538261-092
13		Cover, Knob	1	003553-001
14		Cup, Oil	1	006588-001
15		Dowel, Cover	1	002372-001
16		Flange, Gland	1	010171-001
17	+	Gasket (Previous Design)	1	013669-001
18	R+	Gasket:	1	
		Current Design	1	060341-001
		Previous Design	2	
19	*	Gasket, Cover Plate	1	003834-001
20	+	Gasket, Gland	1	010173-001
21	@2	Gear, Calibrator Drive:		
		U.S. Gallons, 5:1 Ratio	1	515464-001
		Imperial Gallons, 5:1 Ratio	1	518375-001
		Dekaliters, 1:1 Ratio	1	515491-001
22	@2	Gear, Intermediate Pinion:		
		U.S. Gallons, 5:1 Ratio	1	515462-001
		Imperial Gallons, 5:1 Ratio	1	518373-001
		Dekaliters, 1:1 Ratio	1	505084-001
23	@2	Gear, Jackshaft	1	515483-001
24	@2	Gear, Pinion:		
		U.S. Gallons, 5:1 Ratio	1	505081-001
		Imperial Gallons, 5:1 Ratio	1	505081-001
		Dekaliters, 1:1 Ratio	1	505081-001
25	@3+	Gland, Packing:		
		Buna-N	1	518630-001
		Viton	1	518630-002
		PTFE ¹	1	009535-001
		Brass/Viton	1	008934-001
26	+	O-ring, Cover:		
		Buna-N	1	640108-051
		Viton	1	640894-409
27		Pin, Calibrator Drive Gear, 5/64 x 1/2"	1	006053-002
28		Pin, Drive Coupling, 1/16 x 5/8"	1	006028-002
29		Pin, Cotter, 1/16 x 3/8"	2	009825-400

Item		Description	Quantity	Part Number
30		Pin, Locating	1	503484-001
31	*	Plate, Caution	1	006571-001
32		Plate, Cover	1	003440-001
33		Plug, 1/2" NPT:		
		New Style Body	2	006505-002
		Old Style Body	1	006505-002
34		Plug, Temperature Well (Previous Design)	1	012025-001
35		Rotor and Blade Assembly:		
		Standard	1	517344-001
		All Iron	1	517344-002
36		Arm, Locking	1	505031-002
37		Pin	1	002362-001
38	+	Bearing, Rotor	2	003784-001
39	+	Bearing, Thrust	1	009689-001
40	R +	Blade, Upper and Lower:		
		Standard	2	502105-001
		Upper High Viscosity (2,000 SSU to 10,000 SSU)	1	502105-041
		Upper High Temperature (200°F)	1	502105-042
		Upper High Viscosity and High Temperature	1	502105-043
		Lower High Viscosity (2,000 SSU to 10,000 SSU)	1	502105-051
		Lower High Temperature (200°F)	1	502105-052
		Lower High Viscosity and High Temperature	1	502105-053
		All Iron	2	534659-001
		All Iron Upper High Viscosity (2,000 to 10,000 SSU)	1	534659-041
		All Iron Lower High Viscosity (2,000 to 10,000 SSU)	1	534659-051
41	+	Bearing, Blade	4	009815-400
42		Pin, Cotter, 3/32 x 1"	4	006308-001
43		Shaft	4	003449-001
44		Block, Blade	4	010289-002
45		Clamp, Blade Block	4	010212-001
46		Key, Woodruff	1	006041-002
47		Plate, Rotor Gear	1	009697-001
48		Rotor:		
		Standard	1	501926-001
		High Viscosity (2,000 SSU to 10,000 SSU)	1	501926-041
49		Screw, #10-32 x 5/8"	8	008338-400
50		Screw, #4-40 x 1/4"	2	006012-002
51		Screw, Locking Arm, 5/16-18 x 1"	1	641230-403
52		Screw, Rotor Gear Plate, 1/4-20 x 3/4"	4	005061-400
53	+	Shaft and Cam Assembly	1	538295-001
54		Cam	1	538358-001
55		Key, Woodruff	1	006041-002
56		Ring, Retaining	2	640961-405
57		Shaft	1	502107-001
58		Lock, Rotor Bearing Spring	1	003745-001
59		Screw, 1/4-28 UNF-2A x 3/4"	1	645916-401
60		Screw, 7/16-14 x 1-1/2"	1	642051-401
61		Screw, Adjusting	1	013668-001
62		Screw, Base Plate, #10-32 x 7/8"	2	640835-001
63		Screw, Body, 7/16-14 x 1"	1	014168-400
64		Screw, Calibrator, #6-32 x 5/16"	2	006048-002
65		Screw, Cover, 3/8-16 x 1-1/8"	20	660248-405
66		Screw, Cover Plate, #10-32 x 3/8"	2	006045-002
67		Screw, Knob Cover, #10-24 x 3/4"	2	006481-003



**We put you first.
And keep you ahead.**

Item		Description	Quantity	Part Number
68		Screw, Packing Gland Flange, #10-32 x 1/2"	2	006764-002
69		Screw, Temp. Well Blind, 5/16-18 x 1" (Previous Design)	2	060133-002
70	*	Screw, Type U x 1/8"	8	009880-400
71	+	Seal, Wire and Lead	1	001627-400
72		Spring, Rotor	1	503311-002
73		Stem Assembly, Adjusting	1	009838-001
74		Ball, 1/8" Diameter	2	006427-001
75		Plate, Base	1	003552-001
76		Plate, Retainer	1	003556-001
77		Spring, Knob	2	003557-001
78		Stem, Adjusting	1	003551-001
79		Stud, Pinion	1	004036-001
80		Tube, Oil	1	514658-001
81	+	Washer, Flat, .500 OD x .193 ID x .010 Thick	2	641985-401
82	+	Washer, Jackshaft	1	001125-001
83		Washer, Pinion	1	003599-001
84		Washer, Thrust	1	002366-001
	+	Recommended Stock		
	*	Not Illustrated		
	@1	Includes meter and gearing, temperature range, and API table and gravity.		
	@2	Only standard gearing listed. For additional gearing combinations, see Gear Train Bulletin AB01023 .		
	@3	See form No. P001042 for component parts.		
		Note 1: Not available for individual sale		

1 Polytetrafluoroethylene (PTFE).

The specifications contained herein are subject to change without notice and any user of said specifications should verify from the manufacturer that the specifications are currently in effect. Otherwise, the manufacturer assumes no responsibility for the use of specifications which may have been changed and are no longer in effect.

Contact information is subject to change. For the most current contact information, visit our website at www.fmctechnologies.com/measurementsolutions and click on the "Contact Us" link in the left-hand column.