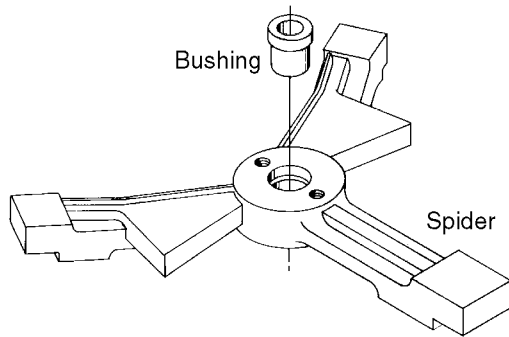
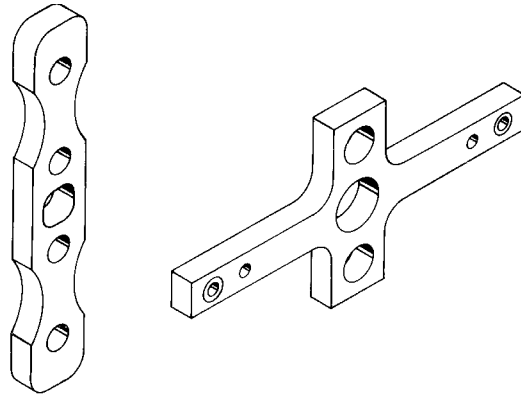


### Rotary Vane Meters



### DuraFlow and Oval Gear Meters



#### Current Rotary Vane Meter Model

Current Rotary Vane Meter Model	Spider	Bushing
T-11m ST-40 .....	013652-002	None
T-20, ST-75 .....	013651-002	None
T-40, ST-160, SD Series .....	505400-002	None
SC-13, C-2 Series .....	503692-002	None
PRIME 4 .....	554109-001	None
Genesis, 2 Inch (Steel) .....	556222-001	None
Genesis, 3 Inch (Steel) .....	556223-001	None
E-3 Series, E-4 Series .....	516854-001	516854-002
F-4 Series .....	516854-001	516854-003
SF Series .....	516854-001	516854-005
SG Series .....	516854-001	516854-006
G-6 Series .....	516854-001	None
H-8 Series .....	501337-003	519382-002
JA-10 Series, JB-10 Series .....	501337-003	519382-003
K-12 Series .....	519381-002	519360-001
M-16 Series .....	519381-002	518073-002

#### Old-Style Rotary Vane Meter Model

Old-Style Rotary Vane Meter Model	Spider	Bushing
T-6, TA-6, TC-6, T-10, AT-10, I-60, T-7, I-75 .....	013652-002	None
T-15, TR-15, AT-25, I-150 .....	013651-002	None
T-30, AT-30 .....	505400-002	None
S-13, B-13, W-13, D-13, M-13, K-13 .....	503692-002	None
S-28, W-28, D-28, M-28 .....	010144-003	010145-001
S-42, AS-42, AB-42, W-42, D-42, D-42, M-42, SA-35, SAR-35, ASA-35, ASAR-35, S-60, W-60, D-60, M-60, SAR-45, AB-60, SA-60, SA-50, SARC-60, AS-60, SAR-60, ASA-60, ASAR-60 .....	010144-003	010146-001
S-100, W-100, D-100, M-100, AB-100, SA-75, SAR-75, ASA-75 .....	010144-003	010147-001
B-150 .....	010144-003	None
B-170, W-170, D-170, B-250, W-250, D-250, J-10 Series .....	501337-003	None
B-170, W-170, D-170, B-250, W-250, D-250, J-10 Series .....	501337-003	519382-001
B-875, W-875 .....	519381-002	518073-002

<b>DuraFlow and Oval Gear Meter Model</b>	<b>Spider</b>	<b>Bushing</b>
DuraFlow .....	301728-101	None
3/4" Oval Gear .....	301729-101	None
1" Oval Gear .....	301730-101	None
1-1/2" Oval Gear .....	301731-101	None
2" Oval Gear .....	301732-101	None

R Indicates change since last revision.

Revisions included in PO01015 Issue/Rev. 0.0 (6/12):  
 Replaced publication P0608.03X which has been made obsolete.  
 Genesis 2" and 3" added under "Current Rotary Vane Meter Model" on page 1.

The specifications contained herein are subject to change without notice and any user of said specifications should verify from the manufacturer that the specifications are currently in effect. Otherwise, the manufacturer assumes no responsibility for the use of specifications which may have been changed and are no longer in effect.

Contact information is subject to change. For the most current contact information, visit our website at [www.fmctechnologies.com/measurementsolutions](http://www.fmctechnologies.com/measurementsolutions) and click on the "Contact Us" link in the left-hand column.

**Headquarters:**

500 North Sam Houston Parkway West, Suite 100, Houston, TX 77067 USA, Phone: +1 (281) 260 2190, Fax: +1 (281) 260 2191

**Measurement Products and Equipment:**

**Erie, PA USA** +1 (814) 898 5000  
**Ellerbek, Germany** +49 (4101) 3040  
**Barcelona, Spain** +34 (93) 201 0989  
**Beijing, China** +86 (10) 6500 2251  
**Burnham, England** +44 (1628) 603205

**Dubai, United Arab Emirates** +971 (4) 883 0303  
**Los Angeles, CA USA** +1 (310) 328 1236  
**Melbourne, Australia** +61 (3) 9807 2818  
**Moscow, Russia** +7 (495) 5648705  
**Singapore**, +65 6861 3011

**Integrated Measurement Systems:**

**Corpus Christi, TX USA** +1 (361) 289 3400  
**Kongsberg, Norway** +47 (32) 286700  
**Dubai, United Arab Emirates** +971 (4) 883 0303

Visit our website at [www.fmctechnologies.com/measurementsolutions](http://www.fmctechnologies.com/measurementsolutions)