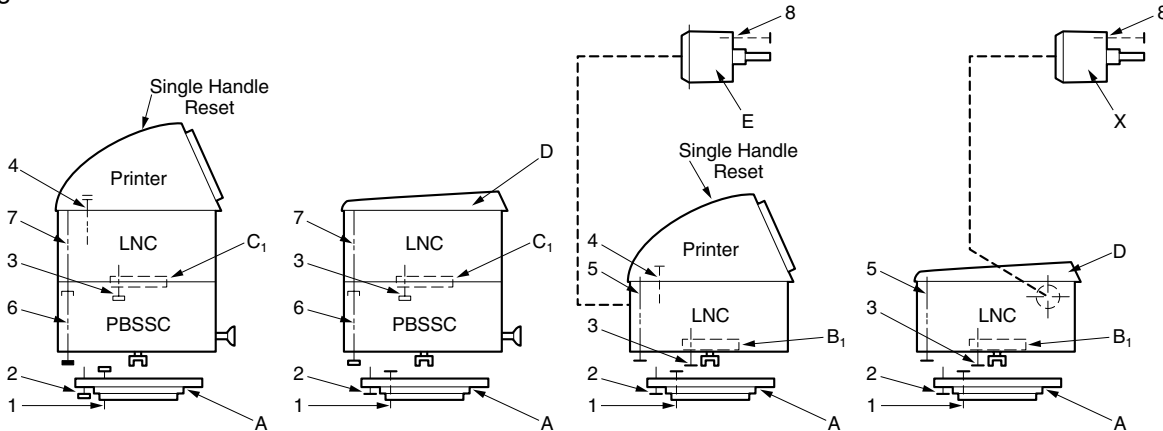


Standard LNC, TP, and PBSSC Adaptations

Character Key: Gear Plates = Letters Bolts = Numbers

See Page 12 for Gear Plate Ratios



Modules and Gearplates

Item	Description	Qty.	Part Number	Gasket Number
A	Smith to V/R Bolt Circle Adapter (3/4" Height).....		004649-001	002536-001
B	Standard Gear Plate		640966-401	
			through	
			640966-408	
C	Up/Down Gear Plate		644395-401	
			through -406 &	
			644475-401 & -404	
D	Cover and Reset Knob.....		644397-401	
	Options:			
E	Tray Actuated Microswitch		644473-401	
X	Transmitter:			
@1	10 Pulse/Rev - Two Bolt Design		See Note 1	
	10 Pulse/Rev - Three Bolt Design		644474-408	
@1	1 Pulse/Rev - Two Bolt Design		See Note 1	
	1 Pulse/Rev - Three Bolt Design		644474-407	

Bolts

1	Smith to V/R Bolt Circle Adapter to Meter:			
	Fil. Hd. Screw (3/8-16 x 3/4" Lg).....	2	006718-002	
	3/8" Shake-Proof Lockwasher.....	2	005791-400	
2	Smith to V/R Bolt Circle Adapter to LNC or PBSSC:			
	Hex. Hd. Screw (1/4-28 x 3/4" Lg.).....	4	065369-002	
	1/4" Shake-Proof Lockwasher.....	4	006825-400	
3	Gear Plate (Standard or Up/Down Type) All Variations:			
	Flat Fil. Hd. Screw (8-32 x 1/4").....	2	502230-001	
4	Printer to Chassis:			
	Hex Hd. Screw (1/4-28 x 11/16" Lg).....	4	503652-001	
	1/4" Shake-Proof Lockwasher.....	4	510003-006	
	Hex. Hd. Nut (1/4-28).....	4	511019-030	

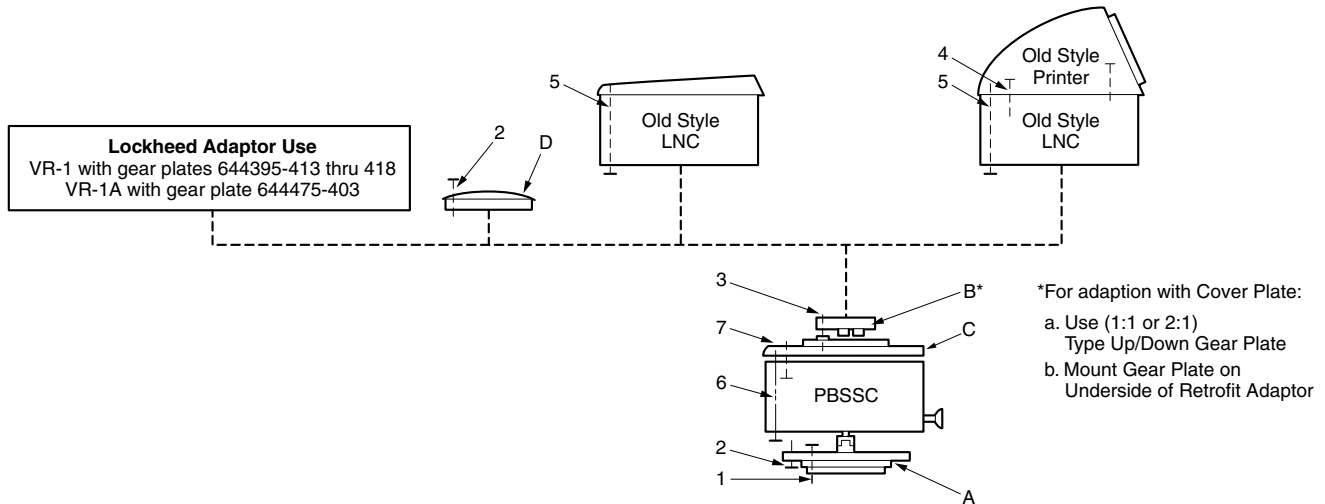
Item	Description	Qty.	Part Number	Gasket Number
5	LNC to PPrinter or Cover (without PBSSC):			
	Hex Hd. Screw (1/4-20 x 4.312 Lg.)	4	503344-032	
	1/4" Shake-Proof Lockwasher	4	510003-006	
6	PBSSC to LNC or Adapter (Retrofit or Standalone):			
	(Front) Hex. Hd. Screw (1/4-20 x 301/16" Lg.)			
	with Wire Hole.....	2	503300-110	
	(Rear) Hex Hd. Screw (1/4-20 x 3-1/16" Lg.).....	2	503300-112	
	1/4" Shake-Proof Lockwasher	4	510003-006	
7	LNC to Printer or Cover (With PBSSC):			
	Special Screw (1/4-20 x 4-3/8" Lg.).....	4	319944-001	
	1/4" Shake-Proof Lockwasher	4	510003-006	
8	Tray-Actuated Microswitch to LNC:			
	Hex Hd. Screw (1/4-20 x 1/2" Lg.).....	3	503328-001	
	1/4" Shake-Proof Lockwasher	3	510020-001	

Series 300C PBSSC

Old Style LNC or LNC/TP, Cover Plate and Lockheed computer

Character Key: Gear Plates = Letters Bolts = Numbers

See Page 12 for Gear Plate Ratios



Modules and Gearplates

Item	Description	Qty.	Part Number	Gasket Number
A	Smith to V/R Bolt Circle Adapter (3/4" Height).....		004649-001	002536-001
B	Up/Down Gear Plate		644395-413 through 418 & 644475-403*	
C	Retrofit Adapter (3/8" Height).....		644400-401	
D	Cover Plate (For Standalone)		519917-001	006949-002

*Used with Lockheed adaptor only.

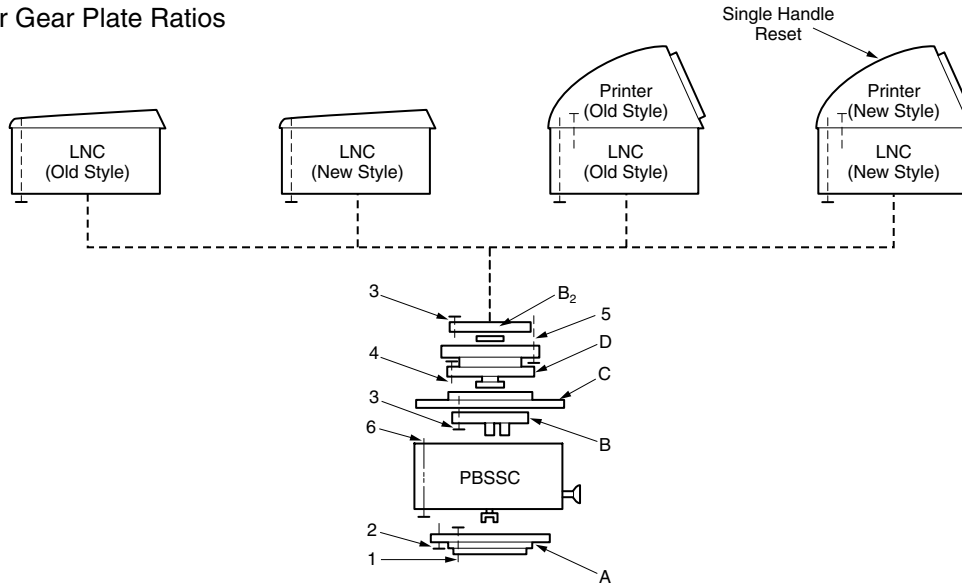
Bolts

Item	Description	Qty.	Part Number	Gasket Number
1	Smith to V/R Bolt Circle Adapter to Meter Fil. Hd. Screw (3/8-16 x 3/4" Lg.).....	2	006718-002	
	3/8" Shake-Proof Lockwasher.....	2	005791-400	
2	Smith to V/R Bolt Circle Adapter to LNC or PBSSC Hex Hd. Screw (1/4-28 x 3/4" Lg.).....	4	065369-002	
	1/4" Shake-Proof Lockwasher.....	4	006825-400	
3	Gear Plate (Standard or Up/Down) All VArations Flat Fil. Hd. Screws (8-32 x 1/4").....	2	502230-001	
4	Printer to Chassis: Hex Hd. Screw (1/4-28 x 11/16" Lg.).....	4	503652-001	
	1/4" Shake-Proof Lockwasher.....	4	510003-006	
	Hex Hd. Nut (1/4-28).....	4	511019-030	
5	LNC to Printer or Cover (Without PBSSC): Hex Hd. Screw (1/4-20 x 4.312" Lg.) With Wire Hole	4	503344-032	
	1/4" Shake-Proof Lockwasher.....	4	510003-006	
6	PBSSC to LNC or Adapter (Retrofit or Standalone): (Front) Hex Hd. Screw (1/4-20 x 3-1/16" Lg) With Wire Hole.....	2	503300-110	
	(Rear) Hex Hd. Screw (1/4-20 x 3-1/16" Lg).....	2	503300-112	
	1/4" Shake-Proof Lockwasher.....	4	510003-006	
7	Retrofit Adapter to LNC: Hex Hd. Screw (1/4-28 x 11/16" Lg).....	4	503612-004	
	1/4" Shake-Proof Lockwasher.....	4	510003-006	

Series 300C PBSSC with Swivel Adapter

Character Key: Gear Plates = Letters Bolts = Numbers

See Page 12 for Gear Plate Ratios



Modules and Gear Plates

Item	Description	Qty.	Part Number	Gasket Number
A	Smith to V/R Bolt Circle Adapter (3/4" Height).....		004649-001	002536-001
B	Up/Down Gear Plate.....		644395-407 through -12 & 644474-402 & -405	

Item	Description	Qty.	Part Number	Gasket Number
C	Standalone Preset Adapter (1-3/32" Height)		644400-402	
*D	Swivel Adapter (1-1/4" Height) with B2 1:1 Reversing Gear Plate		640372-001	535398-001

*Add: Gear Adapter Kit 539099-001 with D Gear Plates 644395-407 through -412.
Shaft and Coupling Kit 644500-401 with D Gear Plate 644475-402 thru -405.

Bolts

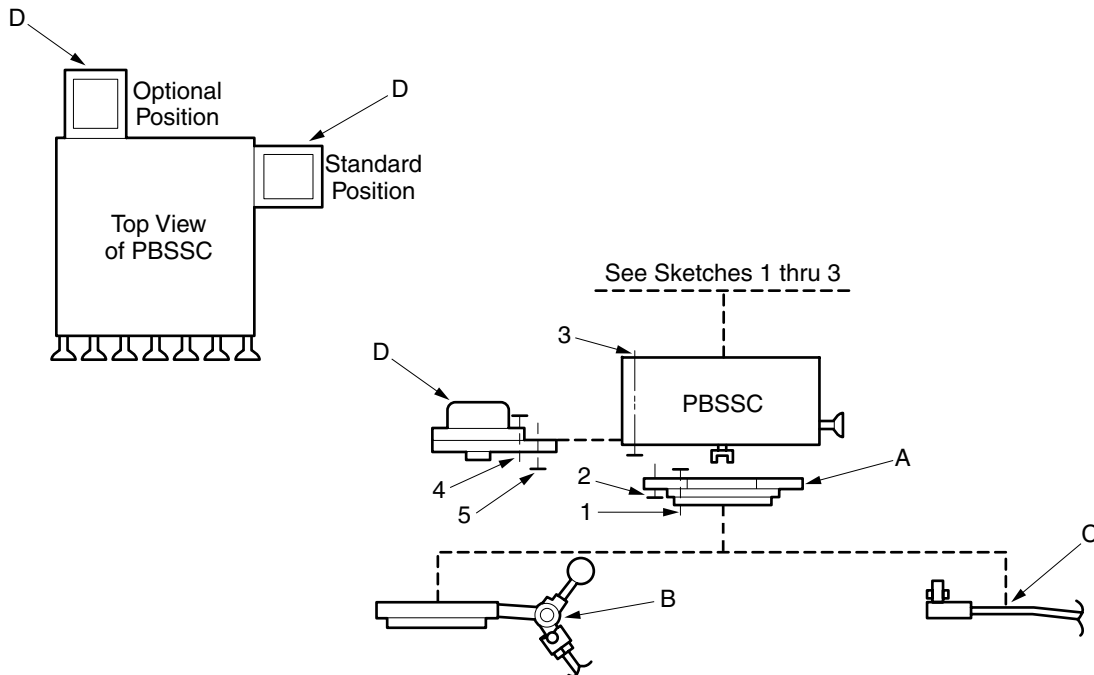
1	Smith to V/R Bolt Circle Adapter to Meter: Fil. Hd. Screw (3/8-16 x 3/4" Lg.).....	2	006718-002
	3/8" Shake-Proof Lockwasher.....	2	005791-400
2	Smith to V/R Bolt Circle Adapter to LNC or PBSSC: Hex Hd. Screw (1/4-28 x 3/4" Lg.).....	4	065369-002
	1/4" Shake-Proof Lockwasher.....	4	006825-400
3	Gear Plate (Standard or Up/Down Type) All Variations: Flat Fil. Hd. Screw (8-32 x 1/4" Lg.).....	2	502230-001
4	Standalone Preset Adapter to Swivel: Hex Hd. Screw (1/4-28 x 11/16" Lg.).....	4	503627-085
	1/4" Shake-Proof Lockwasher.....	4	510003-006
5	Swivel to Register: Hex Hd. Screw (1/4-28 x 3/4" Lg.) with Holes	4	503645-005
	1/4" Shake-Proof Lockwasher.....	4	510003-006
6	PBSSC to LNC or Adapter (Retrofit or Standalone): (Front) Hex Hd. Screw (1/4-20 x 3-1/16" Lg.) with Wire Hole.....	2	503300-110
	(Rear) Hex Hd. Screw (1/4-20 x 3-1/16" Lg.).....	2	503300-112
	1/4" Shake-Proof Lockwasher.....	4	510003-006

Series 300C PBSSC

"T" Meter set-Stop Faucet and Line Meter Mechanical Set-Stop Valve

Character Key: Gear Plates = Letters Bolts = Numbers

See Page 12 for Gear Plate Ratios



Modules and Gearplates

Item	Description	Qty.	Part Number	Gasket Number
A	Smith to V/R Bolt Circl Adapter (3/4" Height).....		004649-001	002536-001
B	Valve Linkage Assembly (5/8" Hight - Either): S1 - Straight Through Type Meters		538908-001	002536-001
	S2 - Angle Type Meters		538909-001	002536-001
C	"T" Meter Linkage Assembly.....		Included with Faucet	
Option:				
D	2 SPDT Microswitch Kit (Pump Control).....		644399-402	

Bolts

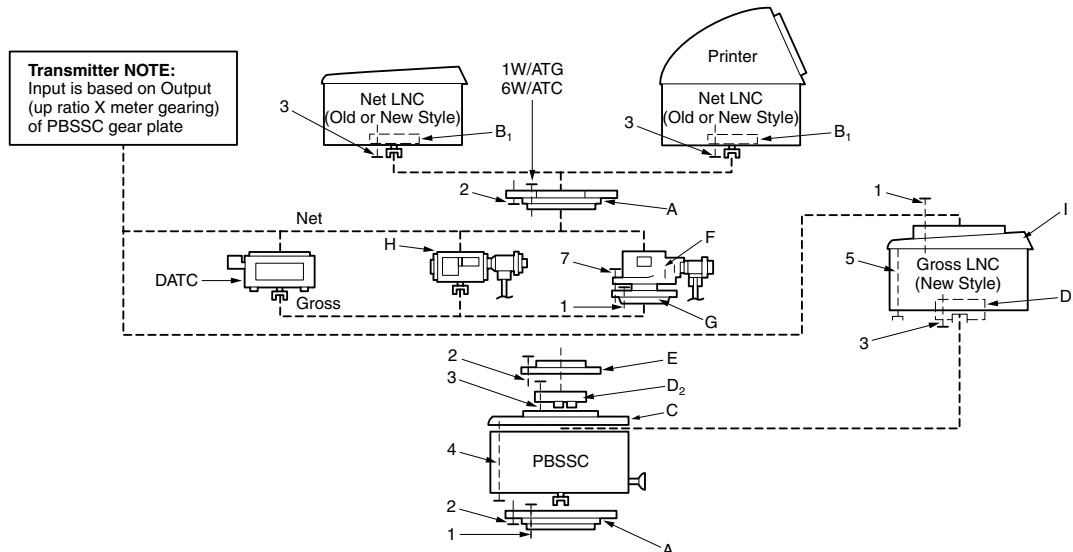
1	Smith to V/R Bolt Circle Adapter to Meter: Fil. Hd. Screw (3/8-16 x 3/4" Lg.).....	2	006718-002
	3/8" Shake-Proof Lockwasher	2	005791-400
2	Smith to V/R Bolt Circle Adapter to LNC or PBSSC: Hex Hd. Screw (1/4-28 x 3/4" Lg.).....	4	065369-002
	1/4" Shake-Proof Lockwasher	4	006825-400
3	PBSSC to LNC or Adapter (Retrofit or Standalone): (Front) Hex Hd. Screw (1/4-20 x 3-1/16" Lg.) with Wire Hole.....	2	503300-110
	(Rear) Hex Hd. Screw (1/4-20 x 3-1/16" Lg.).....	2	503300-112
4	Microswitch to PBSSC: Hex Hd. Screw (1/4-28 x 3/4" Lg.).....	1	503619-001
	1/4" Shake-Proof Lockwasher	1	510003-006
5	Smith to V/R Bolt Circle Adapter & Valve Linkage Assembly to Meter: Fil. Hd. Screw (3/8-16 x 1-1/2" Lg.)	2	060452-002
	3/8" Shake-Proof Lockwasher	2	060106-001

Series 300C PBSSC

Single Head ATC or ATG, Gross LNC and Transmitter

Character Key: Gear Plates = Letters Bolts = Numbers

See Page 12 for Gear Plate Ratios



Modules and Gearplates

Item	Description	Qty.	Part Number	Gasket Number
A	Smith to V/R Bolt Circle Adapter (3/4" Ht.).....	2	004649-001	002536-001
B	Standard Gear Plate with 1:1 Gear Ratio		640966-402	
C	Standalone Preset Adapter (1-3/32" Ht.)		644400-402	
D1	Up/Down Gear Plate		644395-401	
			through -406	
D2	Up/Down Gear Plate		644395-407	
			through -412	
E	PBSSC Accessory Adapter (Converts V/R to Smith B.C.): (1-1/8" Ht.).....		539100-001	006949-002
F	Single Head ATG	
G	ATG Adapter		506201-001	002536-001
	ATG Coupling with "E" Module		519665-001	
	ATG Coupling with "I" Module		506407-001	
H	Single Head ATC	002536-001
I	Gross LNC Cover Adapter Kit.....		51928-001	

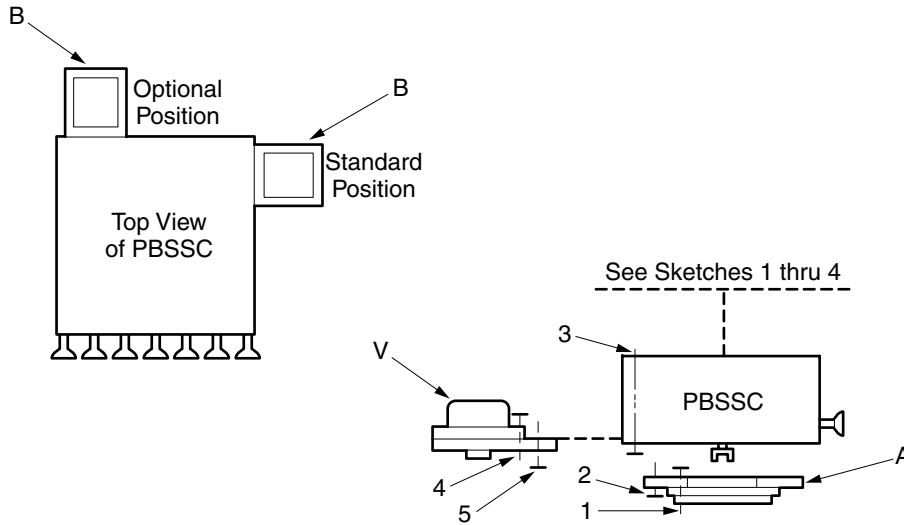
Bolts

1	Smith to V/R Bolt Circle Adapter to Meter:			
	Fil. Hd. Screw (3/8-16 x 3/4" Lg.).....	2	006718-002	
	3/8" Shake Proof Lockwasher	2	005791-400	
2	Smith to V/R Bolt Circle Adapter to LNC or PBSSC:			
	Hex Hd. Screw (1/4-28 x 1/4" Lg.).....	4	065369-002	
	1/4" Shake Proof Lockwasher	4	006825-400	
3	Gear Plate (Standard or Up/Down Type) All Variations:			
	Flat Fil. Hd. Screw (8-32 x 1/4").....	2	502230-001	
4	PBSSC to LNC or Adapter (Retrofit or Standalone):			
	(Front) Hex Hd. Screw (1/4-20 x 3-1/16" Lg.)			
	with Wire Hole.....	2	503300-110	
	*(Rear) Hex Hd. Screw (1/4-20 x 3-1/16" Lg.)	2	503300-112	
	1/4" Shake Proof Lockwasher	4	510003-006	
*When Microswitch Kit (Fig. 5 or 6) is included, only one bolt is required.				
5	LNC to Printer or Cover (with PBSSC):			
	Special Screw (1/4-20 x 4-3/8" Lg.).....	4	319944-001	
	1/4" Shake Proof Lockwasher	4	510003-006	
6	Smith to V/R Bolt Circle Adapter (004649-001) and			
	ATC to PBSSC Accessory Adapter (539100-001):			
	Fil. Hd. Screw (3/8-16 x 3" Lg.).....	2	006674-002	
	3/8" Shake Proof Lockwasher.....	2	060106-001	
7	ATG Adapter to ATG:			
	Hex Hd. Screw (3/8-16 x 1-1/4" Lg.).....	2	642048-420	
	3/8" Shake Proof Lockwasher	2	060106-001	

Series 300C PBSSC with Electrically-Actuated Set-Stop Valve

Character Key: Gear Plates = Letters Bolts = Numbers

See Page 12 for Gear Plate Ratios



Modules and Gearplates

Item	Description	Qty.	Part Number	Gasket Number
A	Smith to V/R Bolt Circle Adapter (3/4" Ht.).....		004649-001	002536-001
B	4 SPDT Microswitch and Start Handle Kit		644399-401	

Bolts

1	Smith to V/R Bolt Circle Adapter to Meter: Fil. Hd. Screw (3/8-16 x 3/4" Lg.).....	2	006718-002
	3/8" Shake Proof Lockwasher	2	005791-400
2	Smith to V/R Bolt Circle Adapter to LNC or PBSSC: Hex Hd. Screw (1/4-28 x 3/4" Lg.)	4	065369-002
	1/4" Shake Proof Lockwasher	4	006825-400
3	PBSSC or LNC to Adapter (Retrofit or Standalone): (Front) Hex Hd. Screw (1/4-20 x 3-1/16" Lg.) with Wire Hole.....	2	503300-110
	*(Rear) Hex Hd. Screw (1/4-20 x 3-1/16" Lg.)	2	503300-112
	1/4" Shake Proof Lockwasher	4	510003-006

*When Microswitch Kit (Fig. 5 or 6) is included, only one bolt is required.

4	Microswitch to PBSSC: Hex Hd. Screw (1/4-28 x 3/4" Lg.)	1	503619-001
	1/4" Shake Proof Lockwasher	1	510003-006
5	Smith to V/R Bolt Circle Adapter and Valve Linkage Assembly to Meter: Fil. Hd. Screw (3/8-16 x 1-1/2" Lg.).....	2	060452-002
	3/8" Shake-Proof Lockwasher	2	060106-001

Transmitters, Counters Miscellaneous Items

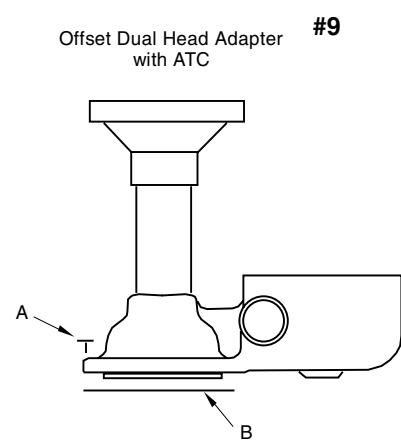
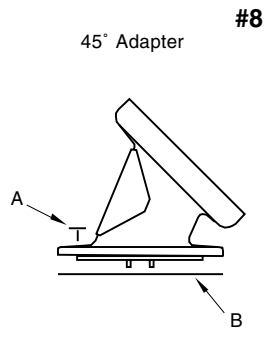
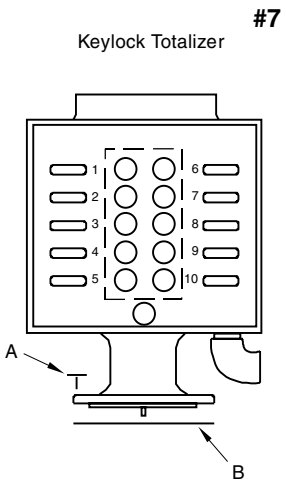
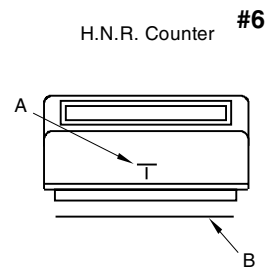
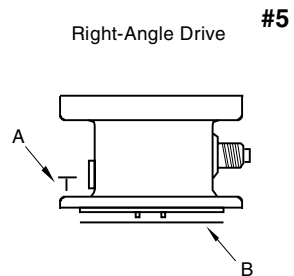
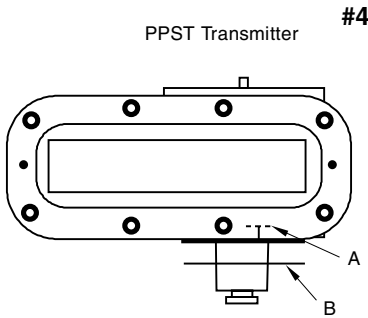
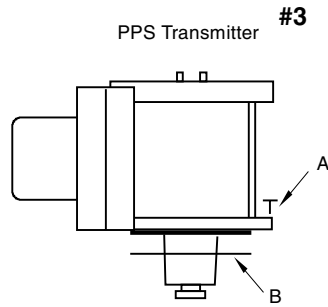
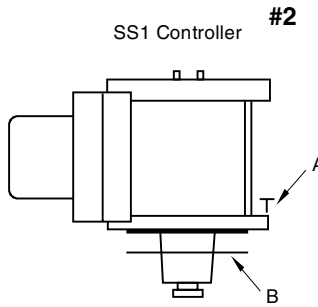
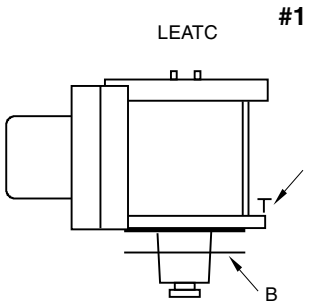
Bots, Gaskets, and Washers referenced will be used in any stack-up involving item as shown below:

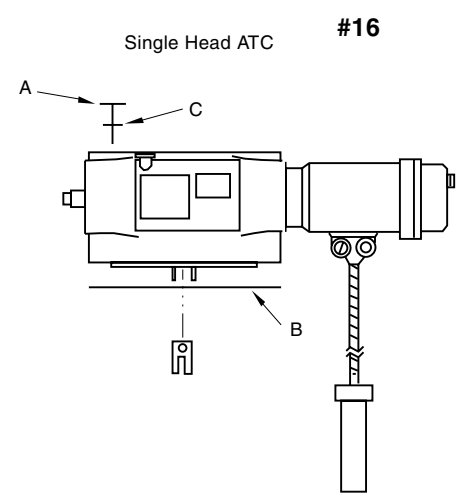
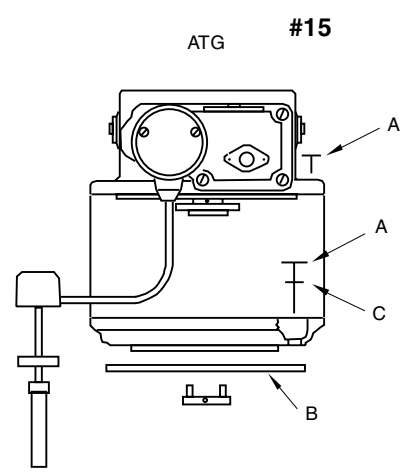
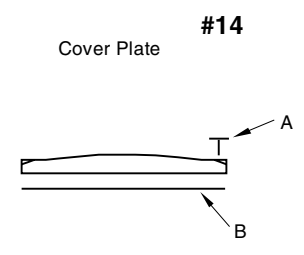
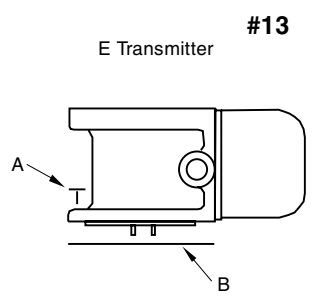
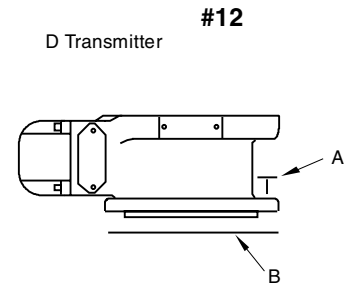
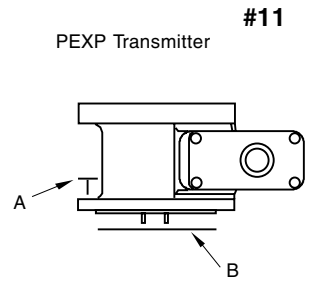
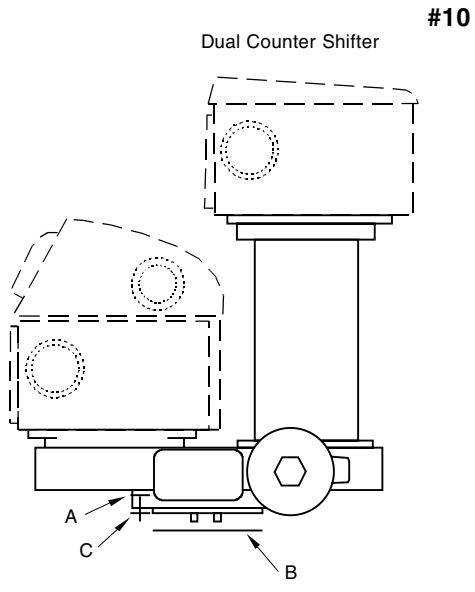
Character Key:

Bolts - A

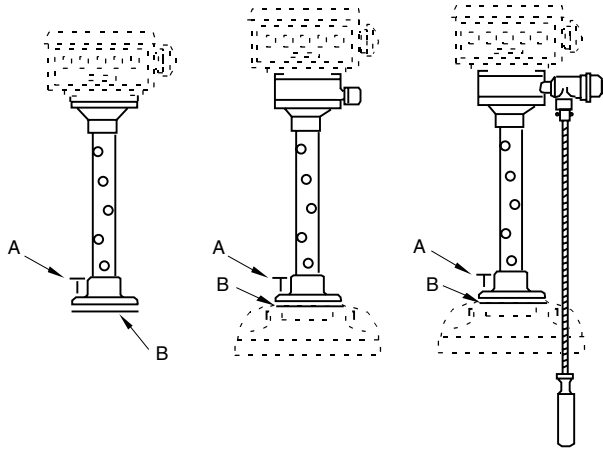
Gaskets - B

Washers - C



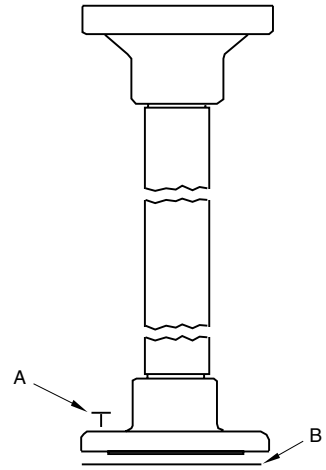


Ventilated Extensions



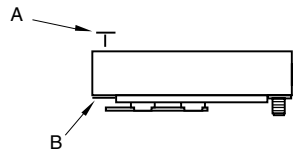
#17

Rigid Extension



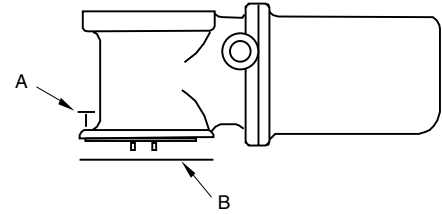
#18

Barrel Gearing Adapter



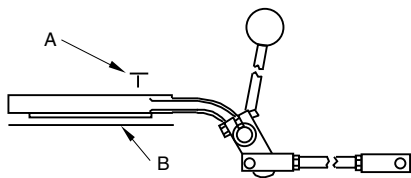
#19

Selsyn Transmitter



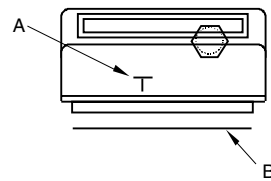
#20

Valve Linkage



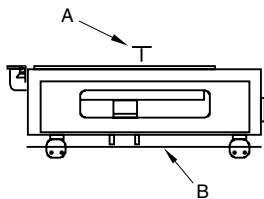
#21

Stack Monitor



#22

DATC



#23

Item	Description	Qty.	Bolt	Qty.	Gasket	Qty.	Washer
* Parts List #7 * Transmitters, Counters, Miscellaneous Items *							
1	LEATC:						
	Hex. Hd. Screw, Drilled (3/8-16 x 1-1/4" Long).....	2	642048-420	1	002536-001	-
	Hex. Hd. Screw, Undrilled (3/8-16 x 1-1/4" Long).	1	002238-401	1	002536-001	-
2	SS-1 Controller:						
	Hex. Hd. Screw (3/8-16 x 1-1/4" Long).....	2	642048-420	1	002536-001	-
	Hex. Hd. Screw, Undrilled (3/8-16 x 1-1/4" Long)	1	002238-401	1	002536-001	-
3	PPS Transmitter:						
	Hex. Hd. Screw (3/8-16 x 1-1/4" Long).....	2	642048-420	1	002536-001	-
	Hex. Hd. Screw, Undrilled (3/8-16 x 1-1/4" Long)	1	002238-401	1	002536-001	-
4	PPST Transmitter:						
	Hex. Hd. Screw (3/8-16 x 1-1/4" Long).....	2	642048-420	1	002536-001	-
	Hex. Hd. Screw, Undrilled (3/8-16 x 1-1/4" Long)	1	002238-401	1	002536-001	-
5	Right Angle Drive:						
	Hex. Hd. Screw (3/8-16 x 1-1/4" Long).....	2	642048-420	1	002536-001	-
6	HNR Counter:						
	Hex. Drilled Head Cap Screw (3/8-16 x 7/8" Long)	2	006205-003	1	002536-001	-
7	Keylock Totalizer:						
	Hex. Hd. Screw (3/8-16 x 1" Long)	4	060248-003	1	002536-001	-
8	45 Degree Adapter:						
	Hex. Hd. Screw (3/8-16 x 7/8" Long).....	2	007558-400	1	002536-001	-
9	Offset Dual Head Adapter With ATC:						
	Hex. Hd. Screw (3/8-16 x 7/8" Long)	3	007558-400	1	002536-001	-
10	Dual Counter Shifter:						
	Slotted Fil. Hd. Screw (3/8-16 x 3/4" Long)	4	006718-002	1	002536-001	2	005791-400
	Hex. Head Screw (1/4-28 x 1/2" Long).....	4	007078-400	-	-
11	PEXP Transmitter:						
	Hex. Hd. Screw (3/8-16 x 1" Long).....	3	060248-002	1	002536-001	-
12	D Transmitter:						
	Hex. Hd. Screw (3/8-16 x 1" Long).....	3	060248-002	1	002536-001	-
13	E Transmitter:						
	Hex. Hd. Screw (3/8-16 x 7/8" Long).....	2	006205-003	1	002536-001	-
14	Blind Cover Plate:						
	Hex. Hd. Screw (3/8-16 x 1" Long).....	2	060248-002	1	002536-001	-
15	ATG Field Installation Kit:						
	(Top) Hex. Hd. Screw (3/8-16 x 1-1/4" Long).....	2	642048-420	1	002536-001	-
	(Bottom) Slot Fil. Hd. Screw (3/8-16 x 3/4" Long)	2	006718-002	-	2	005791-400
16	Single Head ATC:						
	Slotted, Fil. Hd. Screw (3/8-16 x 4-1/2" Long).....	2	642024-406	1	002536-001	2	060106-001
17	Ventilated Extensions:						
	Hex. Hd. Screw (3/8-16 x 1" Long).....	2	060248-003	1	002536-001	-
18	Rigid Extension:						
	Hex. Hd. Screw (3/8-16 x 1" Long).....	2	060248-003	1	002536-001	-
19	Gearing Adapter:						
	Fil. Hd. Screw (3/8-16 x 1-1/2" Long)	2	060452-002	1	002536-001	-
20	Selsyn Transmitter:						
	Hex. Hd. Screw (3/8-16 x 7/8" Long).....	3	006205-003	1	002536-001	-
21	Valve Linkage:						
	Fil. Hd. Screw (3/8-16 x 3/4" Long)	2	006718-002	1	002536-001	-
22	Stack Monitor (HNRC With Pulser):						
	Hex. Drilled Head Cap Screw (3/8-16 x 7/8" Long)	2	006205-003	1	002536-001	-
23	DATC:						
	Fil. Hd. Screw (3/8-16 x 2-1/4" Long)	2	642025-418	1	002536-001	-

*Seal lead and wire for Items #1 through #22 is P/N: 001627-400.
Seal lead and wire for Item 23 is P/N: 641101-401.

Item	Description	Part Number
Gear Plate Ratios		
1	Standard Gear Plates:	
	1:5 Ratio.....	640966-401
	1:1 Ratio.....	640966-402
	2:1 Ratio.....	640966-403
	5:1 Ratio.....	640966-408
	8.4:1 Ratio.....	640966-404
	10:1 Ratio.....	640966-405
	20:1 Ratio.....	640966-407
	42:1 Ratio.....	640966-406
2	Reversing Gear Plates (Used with Swivels):	
	1:1 Ratio.....	Included with the Adapter
3	Up/Down Gear Plates for PBSSC with LNC:	
	1:1 Ratio.....	644395-401
	2:1 Ratio.....	644395-402
	8.4:1 Ratio.....	644395-403
	10:1 Ratio.....	644395-404
	20:1 Ratio.....	644395-406
	42:1 Ratio.....	644395-405
	1:1 Up/10:1 Down Ratio.....	644475-401
	1:1 Up/2:1 Down Ratio.....	644475-404
4	Up/Down Gear Plates for PBSSC with Standalone Preset Adapter:	
	1:1 Ratio.....	644395-407
	2:1 Ratio.....	644395-408
	8.4:1 Ratio.....	644395-409
	10:1 Ratio.....	644395-410
	20:1 Ratio.....	644395-412
	42:1 Ratio.....	644395-411
	1:1 Up/10:1 Down Ratio.....	644475-402
	1:1 Up/2:1 Down Ratio.....	644475-405
5	Up/Down Gear Plates for PBSSC with Retrofit Adapter:	
	1:1 Ratio.....	644395-413
	2:1 Ratio.....	644395-414
	8.4:1 Ratio.....	644395-415
	10:1 Ratio.....	644395-416
	20:1 Ratio.....	644395-418
	42:1 Ratio.....	644395-417
	1:1 Up/Down - 10:1 Down Ratio.....	644474-403*

*Only used with Lockheed Adapter VR-1A.

@1 Note 1: This two-bolt mounting design has been replaced by a three-bolt mounting design transmitter. If customer's housing is drilled for only two bolt holes, a predrilled three-hole housing (P/N: 644892-403) must be purchased.

Publication PO01038 has replaced P0602.51X which has been made obsolete. (5/2013)

The specifications contained herein are subject to change without notice and any user of said specifications should verify from the manufacturer that the specifications are currently in effect. Otherwise, the manufacturer assumes no responsibility for the use of specifications which may have been changed and are no longer in effect.

Contact information is subject to change. For the most current contact information, visit our website at www.fmctechnologies.com/measurementsolutions and click on the "Contact Us" link in the left-hand column.

Headquarters:

500 North Sam Houston Parkway West, Suite 100, Houston, TX 77067 USA, Phone: +1 (281) 260 2190, Fax: +1 (281) 260 2191

Measurement Products and Equipment:

Erie, PA USA +1 (814) 898 5000
 Ellerbek, Germany +49 (4101) 3040
 Barcelona, Spain +34 (93) 201 0989
 Beijing, China +86 (10) 6500 2251
 Burnham, England +44 (1628) 603205

Dubai, United Arab Emirates +971 (4) 883 0303
 Los Angeles, CA USA +1 (310) 328 1236
 Melbourne, Australia +61 (3) 9807 2818
 Moscow, Russia +7 (495) 5648705
 Singapore +65 6861 3011

Integrated Measurement Systems:

Corpus Christi, TX USA +1 (361) 289 3400
 Kongsberg, Norway +47 (32) 286700
 Dubai, United Arab Emirates +971 (4) 883 0303

Visit our website at www.fmctechnologies.com/measurementsolutions