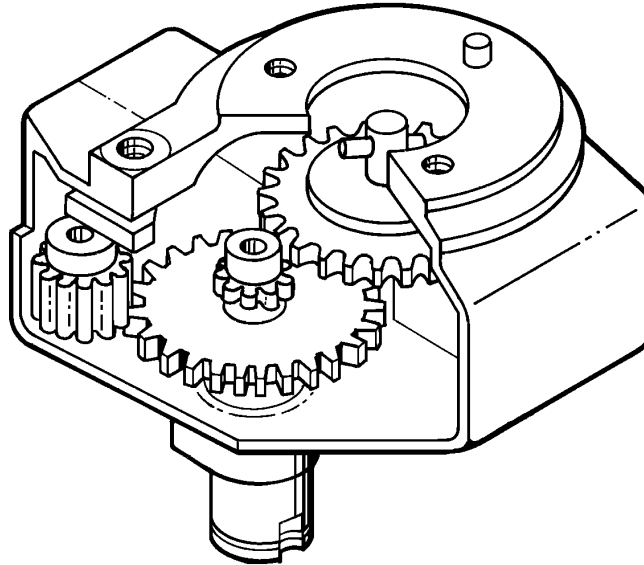


**Note:** The gear cluster assemblies listed below are for standard gear train options and will work on all high pressure (A3, S3, S5, S6, and S7) versions of each respective meter series shown. Gear cluster assemblies consist of jackshaft pinion, idler, and calibrator drive gears, and where applicable reversing pinion, along with all shafts, pins, washers, and jackshaft coupling, and are completely assembled in the gear housing ensuring correct and simple installation in the meter.



Ratio	Unit of Measurement	STD/LPG	Percent <sup>1</sup>	C2 Series*	E3 & E4 Series*	F4 Series*	G6 Series*	H8 Series*
1:1	U.S. Gallons	STD	96%	552115-009	.....	.....	.....	.....
5:1	U.S. Gallons	STD	96%	552115-002	552116-003	552117-004	552118-003	.....
5:1	U.S. Gallons	STD	100%	552115-001	552116-001	552117-001	552118-002	.....
5:1	U.S. Gallons	LPG	96%	552115-005	552116-004	552117-007	552118-012	.....
5:1	U.S. Gallons	LPG	100%	552115-004	552116-005	552117-006	552118-005	.....
1:1	Dekalitres	STD	96%	552115-006	552116-002	.....	.....	.....
1:1	Dekalitres	STD	100%	552115-007	552116-007	.....	.....	.....
1:1	Dekalitres	LPG	96%	552115-003	552116-006	.....	.....	.....
1:1	Dekalitres	LPG	100%	552115-008	552116-008	.....	.....	.....
5:1	Dekalitres	STD	96%	.....	.....	552117-005	552118-004	.....
5:1	Dekalitres	STD	100%	.....	552116-009	552117-011	552118-009	.....
5:1	Dekalitres	LPG	96%	.....	.....	552117-008	552118-011	.....
5:1	Dekalitres	LPG	100%	.....	.....	552117-012	552118-010	.....
1:1	Hectolitres	STD	96%	.....	.....	.....	.....	552119-004
1:1	Hectolitres	STD	100%	.....	.....	.....	.....	552119-006
1:1	Hectolitres	LPG	96%	.....	.....	.....	.....	552119-007
1:1	Hectolitres	LPG	100%	.....	.....	.....	.....	552119-009
1:1	Barrels	STD	96%	.....	.....	552117-002	552118-001	552119-003
1:1	Barrels	STD	100%	.....	.....	552117-003	552118-008	552119-001
1:1	Barrels	LPG	96%	.....	.....	552117-009	552118-007	552119-008
1:1	Barrels	LPG	100%	.....	.....	552117-010	552118-006	552119-002
5:1	Imp. Gallons	STD	96%	552115-010	.....	.....	.....	.....

\*Not for use on low pressure (A1, S1, or V1) versions.

1. These are nominal percent values.

Publication PO01040 has replaced P0603.52X which has been made obsolete. (5/2013)

The specifications contained herein are subject to change without notice and any user of said specifications should verify from the manufacturer that the specifications are currently in effect. Otherwise, the manufacturer assumes no responsibility for the use of specifications which may have been changed and are no longer in effect.

Contact information is subject to change. For the most current contact information, visit our website at [www.fmctechnologies.com/measurementsolutions](http://www.fmctechnologies.com/measurementsolutions) and click on the "Contact Us" link in the left-hand column.

---

**Headquarters:**

500 North Sam Houston Parkway West, Suite 100, Houston, TX 77067 USA, Phone: +1 (281) 260 2190, Fax: +1 (281) 260 2191

**Measurement Products and Equipment:**

**Erie, PA USA** +1 (814) 898 5000

**Ellerbek, Germany** +49 (4101) 3040

**Barcelona, Spain** +34 (93) 201 0989

**Beijing, China** +86 (10) 6500 2251

**Burnham, England** +44 (1628) 603205

**Dubai, United Arab Emirates** +971 (4) 883 0303

**Los Angeles, CA USA** +1 (310) 328 1236

**Melbourne, Australia** +61 (3) 9807 2818

**Moscow, Russia** +7 (495) 5648705

**Singapore** +65 6861 3011

**Integrated Measurement Systems:**

**Corpus Christi, TX USA** +1 (361) 289 3400

**Kongsberg, Norway** +47 (32) 286700

**Dubai, United Arab Emirates** +971 (4) 883 0303

**Visit our website at [www.fmctechnologies.com/measurementsolutions](http://www.fmctechnologies.com/measurementsolutions)**