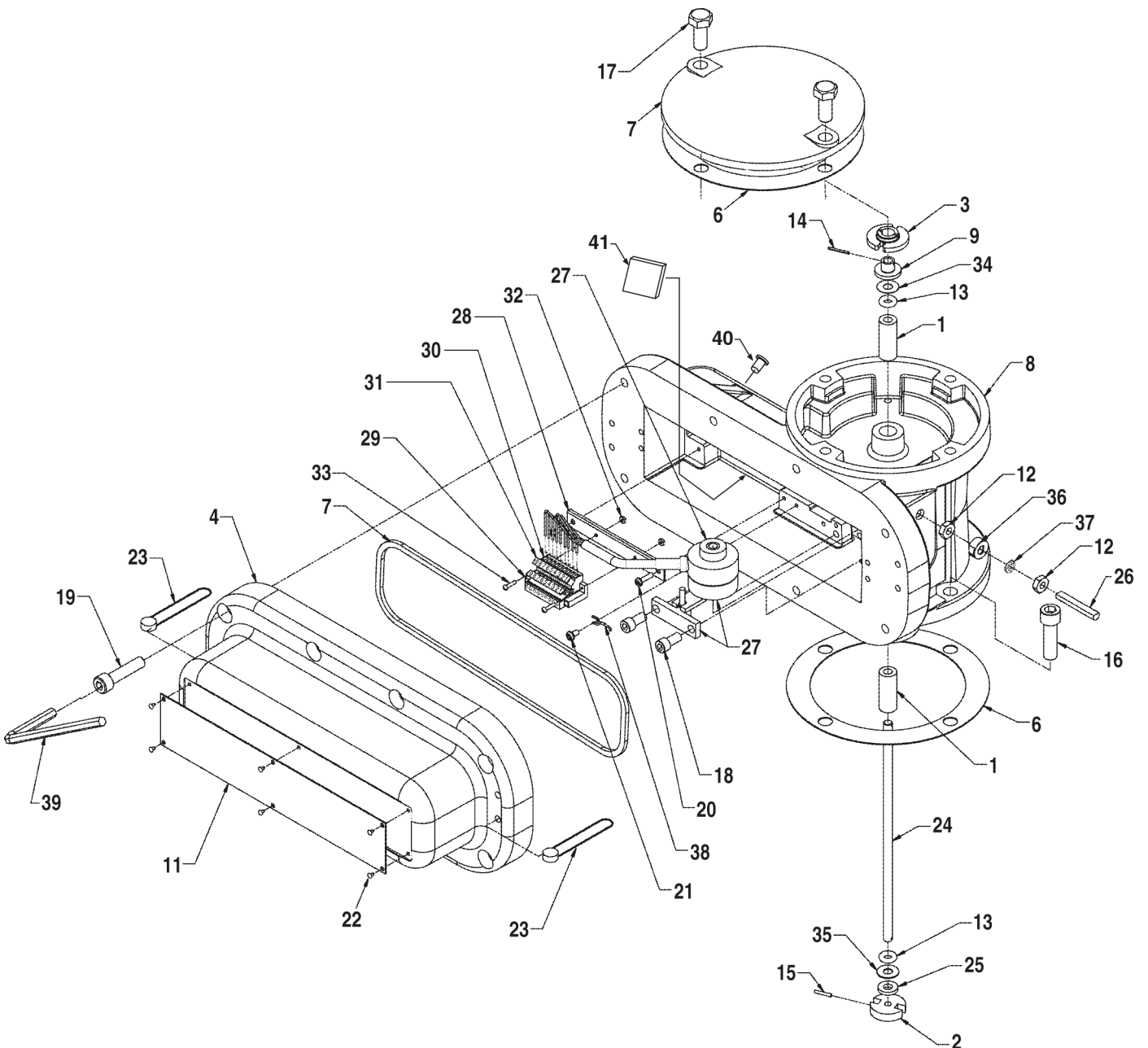


# Transmitter, Model UPT

Bulletin PO01056 Issue/Rev. 0.0 (6/17)

## Universal Pulse Transmitter 554665-0-1X Single Shaft Design



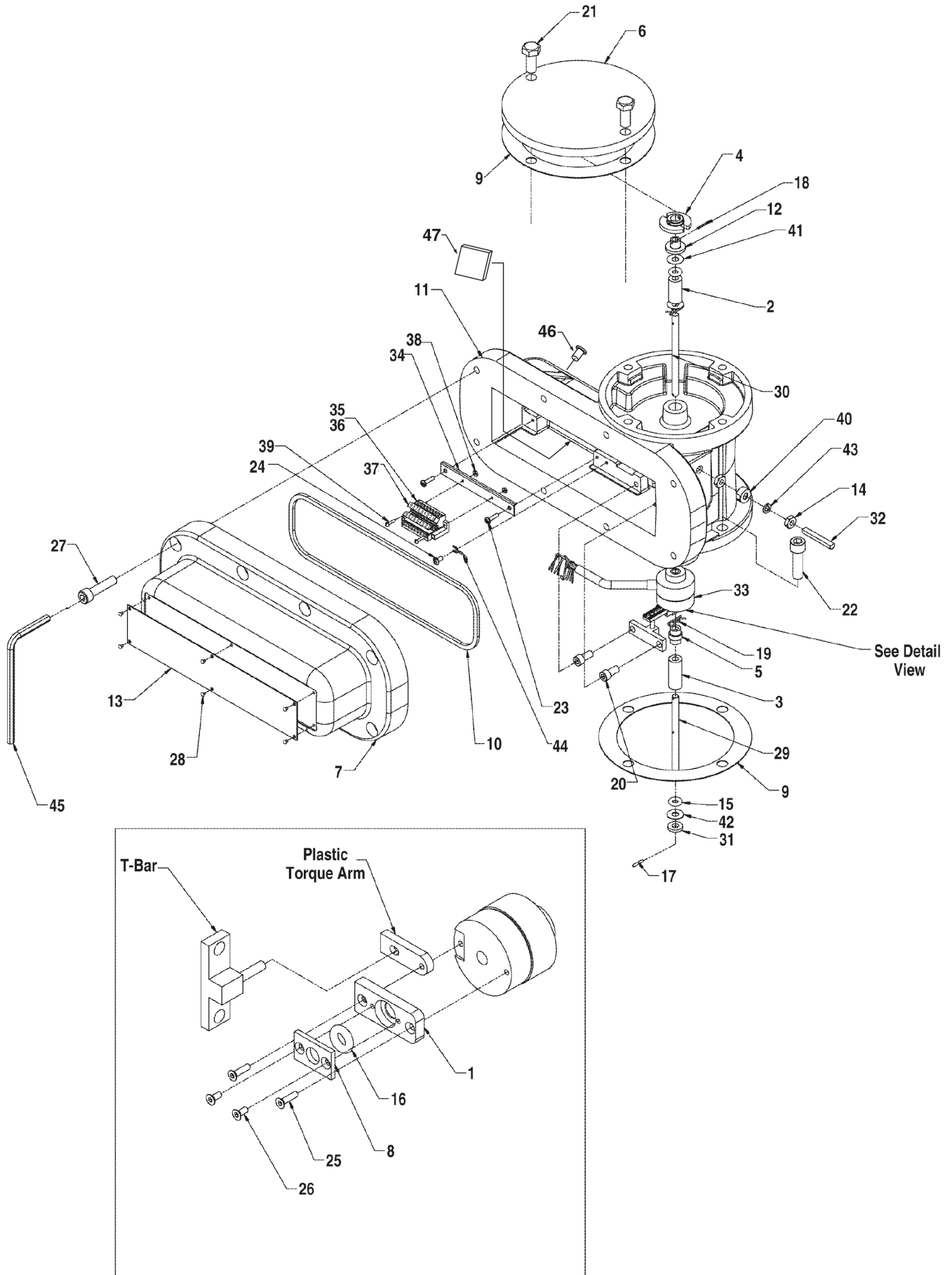
**Universal Pulse Transmitter 554665-0-1X — Single Shaft Design**

<b>Item</b>	<b>Description</b>	<b>Qty.</b>	<b>Part Number</b>
1	Bearing, Sleeve .....	2	642228-450
2	@1 Coupling .....	1	014356-002
3	Coupling, Drive .....	1	072103-001
4	Cover .....	1	552978-001
5	Cover, Bling.....	1	010078-001
6	+ Gasket, Counter Base.....	2	002536-001
7	+ Gasket, Conduit Box Cover .....	1	552975-001
8	Housing .....	1	529510-006
9	Hub .....	1	004738-001
10	Label, Installation Warning, Conduit Opening (Not Shown).....	1	551786-001
11	Nameplate.....	1	554666-001
12	Nut, Hex, 1/4"-20.....	2	060060-001
13	+@2 O-Ring, PTFE <sup>1</sup> , 1/4 x 1/2" .....	2	641069-478
14	Pin, Groove, 1/16 x 5/8" .....	1	642406-401
15	Pin, Groove, 5/64 x 1/2".....	1	645809-401
16	Screw, 3/8-16 x 1-1/4, Drilled.....	3	642048-420
17	Screw, 3/8-16 x 7/8" Hex. Hd.....	2	007558-400
18	Screw, 1/4 x 1/2" .....	2	643908-401
19	@3 Screw, M8-1.25 x 30 mm .....	8	644824-401
20	Screw, #5-40 x 1/2" .....	2	644636-402
21	Screw, Ground, #6-32 x 1/4" .....	1	644312-401
22	Screw, Namplate Drive .....	6	009880-400
23	Seal, Lead, and Wire .....	2	001627-400
24	Shaft, Main Electronic Valve Controller.....	1	529245-001
25	Spacer .....	1	551480-001
26	Stud .....	1	550773-001
27	+@5 Transmitter Replacement Kit		
	1000 Pulses/Rev.....	1	645483-417
	500 Pulses/Rev.....	1	645483-418
	250 Pulses/Rev.....	1	645483-419
	200 Pulses/Rev.....	1	645483-420
	100 Pulses/Rev.....	1	645483-421
28	Bracket, Terminal Block .....	1	551621-205
29	Connector Plug .....	1	644740-459
30	Head, Connector.....	1	644740-458
31	Label, UPT Connections .....	1	644864-408
32	Nut, Hex, #2-56.....	2	643747-405
33	Screw, #2-56 x .38 .....	2	644868-401
34	@4 Washer, Shim.....	#	014012-200
35	Washer.....	1	643130-401
36	Washer, Cup .....	1	550770-001
37	Washer, Lock .....	1	006621-001
38	Wire, Ground.....	1	550912-001
39	Wrench, Allen, 6 mm Metric .....	1	644827-401
40	Plug, 3/4", NPT .....	1	P8000016676
41	Vapor Desiccant Pack.....	1	647001-443
+	Recommended stock.		
*	Not Shown		
@1	Order using Chart "A" on page 5.		
@2	Apply grease (Part No. 005582-600) to O-ring cavity		
@3	Apply anti-seize lubricant (Part No. 005893-600) to all cover mounting screws.		
@4	Add shims to provide .005/.015 axial clearance.		
@5	See Service Bulletin SV01010 for Transmitter Replacement Kits.		
R	Indicates change since last revision.		

<sup>1</sup> Polytetrafluoroethylene (PTFE).

# Universal Pulse Transmitter 554665-0-2X

## Split Shaft Design



## Universal Pulse Transmitter 554665-0-2X — Split Shaft Design

Item	Description	Qty.	Part Number
1	Arm, Torque, UPT Split Shaft Design.....	1	554887-001
2	Bearing, Sleeve 1/4 ID x 1/2 OD x 1" Long.....	1	642228-454
3	Bearing, Sleeve 1/4 ID x 1/2 OD x 1-1/4 Long.....	2	642228-450
4	Coupling, Drive .....	1	072103-001
5	Coupling, Split Shaft Design .....	1	551234-002
6	Cover, Blind.....	1	010078-001
7	Cover, SS-1 Valve Controller w/Step Down .....	1	552978-001
8	Cover, Torque Arm Cover, UPT Split Shaft Design .....	1	554888-001
9	Gasket, Counter Base.....	2	002536-001
10	Gasket, For SS1, PST, PPST .....	1	552975-001
11	Housing, UPT Transmitter, Machining .....	1	529510-006
12	Hub, .406H .75 .37 .2510.....	1	004738-001
13	Nameplate, UPT Transmitter .....	1	554666-001
14	Nut, 1/4-20 Hexagon.....	2	060060-001
15	@2 O-Ring, 1/4 x 1/2.....	2	641069-478
16	O-Ring, 1/4" x 1/2" Buna.....	1	641069-476
17	Pin, Groove, Type 1, 5/64" Diameter x 1/2" LG.....	1	645809-401
18	Pin, Groove Type E 1/16 Diameter x 5/8 Long .....	1	642406-401
19	Pin, Hairspring Cotter LG.....	2	645283-401
20	Screw, 1/4-20 x 1/2 Hex Soc HD (303 or 304 s.s.) .....	2	643908-401
21	Screw, 3/8-16 x 7/8" Hex HD .....	2	007558-400
22	Screw, 3/8-16 UNC-2A x 1-1/4 HEX Drilled Head Cap .....	3	642048-420
23	Screw, 5-40 x .50 Pan HD Slot, Zinc Plated .....	2	644636-402
24	Screw, #6-32 UNC-2A x .25 Long Pan HD Slot .....	1	644312-401
25	Screw, Cap M2.5 x 1.....	2	644868-405
26	Screw, Cap M2.5 x 6M.....	2	644868-406
27	@3 Screw, M8-1.25 x 30mm Hex Soc HD .....	8	644824-401
28	Screw, Nameplate Drive .....	6	009880-400
29	Shaft, Lower Shaft, UPT Split Shaft Design.....	1	529245-004
30	Shaft, Upper Shaft, UPT Split Shaft Design.....	1	529245-005
31	Spacer, LEATC/PST/SS-1 Bottom Shaft Design .....	1	551480-001
32	Stud, 1/4-20 M/F 524377001 .....	1	550773-001
33	+@5 Transmitter Replacement Kit		
	1000 Pulses/Rev.....	1	645483-417
	500 Pulses/Rev.....	1	645483-418
	250 Pulses/Rev.....	1	645483-419
	200 Pulses/Rev.....	1	645483-420
	100 Pulses/Rev.....	1	645483-421
34	Bracket, Terminal Block, UPT .....	1	551621-205
35	Connector, Head, 9-pos, 3.81mm Direct Mounting, UL .....	1	644740-458
36	Connector, Plug, 9-pos, 3.81mm, Screw Down, UL.....	1	644740-459
37	Label, Term BLK, 1-10 Consec., .150" SPG .....	2	644864-408
38	Nut, 2-56 Hex Machine Screw, .06 Thk, 300 s.s.....	2	643747-405
39	Screw, 2-56 x .38 RND Head Slotted, s.s.....	2	644868-401
40	Washer, Cup, .56 OD x .27 ID x .25 Hgt Alum .....	1	550770-001
41	@4 Washer, Flat, 5/8 OD x 17/64 ID x .010 Thk .....	#	014012-200
42	Washer, Flat 5/8 OD .260/.270 ID x .031 THK, s.s. ....	1	643130-401
43	Washer, Lock Spring 1/4 Screw .062 Thk .....	1	006621-001
44	Wire, Assy, #18 AWG. Green x 6" w/Terminal.....	1	550912-001
45	Wrench, Allen 6mm.....	1	644827-401
46	Plug, 3/4" NPT .....	1	P8000016676
47	Vapor Desiccant Pack.....	1	647001-443

- + Recommended stock.
- \* Not Shown
- @1 Order using Chart "A" on page 5.
- @2 Apply grease (Part No. 005582-600) to O-ring cavity
- @3 Apply anti-seize lubricant (Part No. 005893-600) to all cover mounting screws.
- @4 Add shims to provide .005/.015 axial clearance.
- @5 See Service Bulletin SV01010 for Transmitter Replacement Kits.
- R Indicates change since last revision.

#### Chart A

Meter Size	Pressure Rating	Gearing	UPT Input Coupling
<sup>2</sup> C2, E3, F4, G6, H8	S1	All	014356-002
E3, F4, G6	A1	All	014356-002
F4, G6	A1	All	014356-002
E3	V1	All	014356-002
<sup>2</sup> C2, F4, G6, H8	S3, S5	All	003821-002
E3, F4, G6	A3	All	003821-002
C2, E3, F4, G6, H8	S6, S7	All	005969-002
JA10, JB10, K12, M16	S3, S5, S6, S7	All	005969-002
Meter Size	Pressure Rating	Gearing	UPT Input Gear
SC-13	N/A	100% USG	514580-002
SC-13	N/A	100% DEK	538185-002
T-11, I-75	N/A	100% USG	501477-002
T-11, I-75	N/A	100% DEK	070269-002
T-20, I-150	N/A	100% USG	008970-002
T-40, SD-30, SD-3, SD-3-NF	N/A	100% USG	539401-002
T-40, SD-30, SD-3, SD-3-NF	N/A	100% DEK	500478-002

#### Special Application with Manual Calibrator

For meters equipped with a manual calibrator, disregard input coupling. Instead of a coupling, provide UPT Adaptor Kit 529288-011.

<sup>2</sup> For F4-S1 meters manufactured prior to 2008.

<sup>3</sup> For F4-S1 meters manufactured 2008-present, also reference F4-S1 parts list P001006.

**Revisions included in PO01056 Issue/Rev. 0.0 (6/17):**

Added parts: 3/4" NPT red Plastic Plug (P/N P8000016676), Vapor Desiccant Pack (P/N 647001443). PO01056 replaced P0907.XX.

The specifications contained herein are subject to change without notice and any user of said specifications should verify from the manufacturer that the specifications are currently in effect. Otherwise, the manufacturer assumes no responsibility for the use of specifications which may have been changed and are no longer in effect.

Contact information is subject to change. For the most current contact information, visit our website at [www.fmctechnologies.com/measurementsolutions](http://www.fmctechnologies.com/measurementsolutions) and click on the "Contact Us" link in the left-hand column.