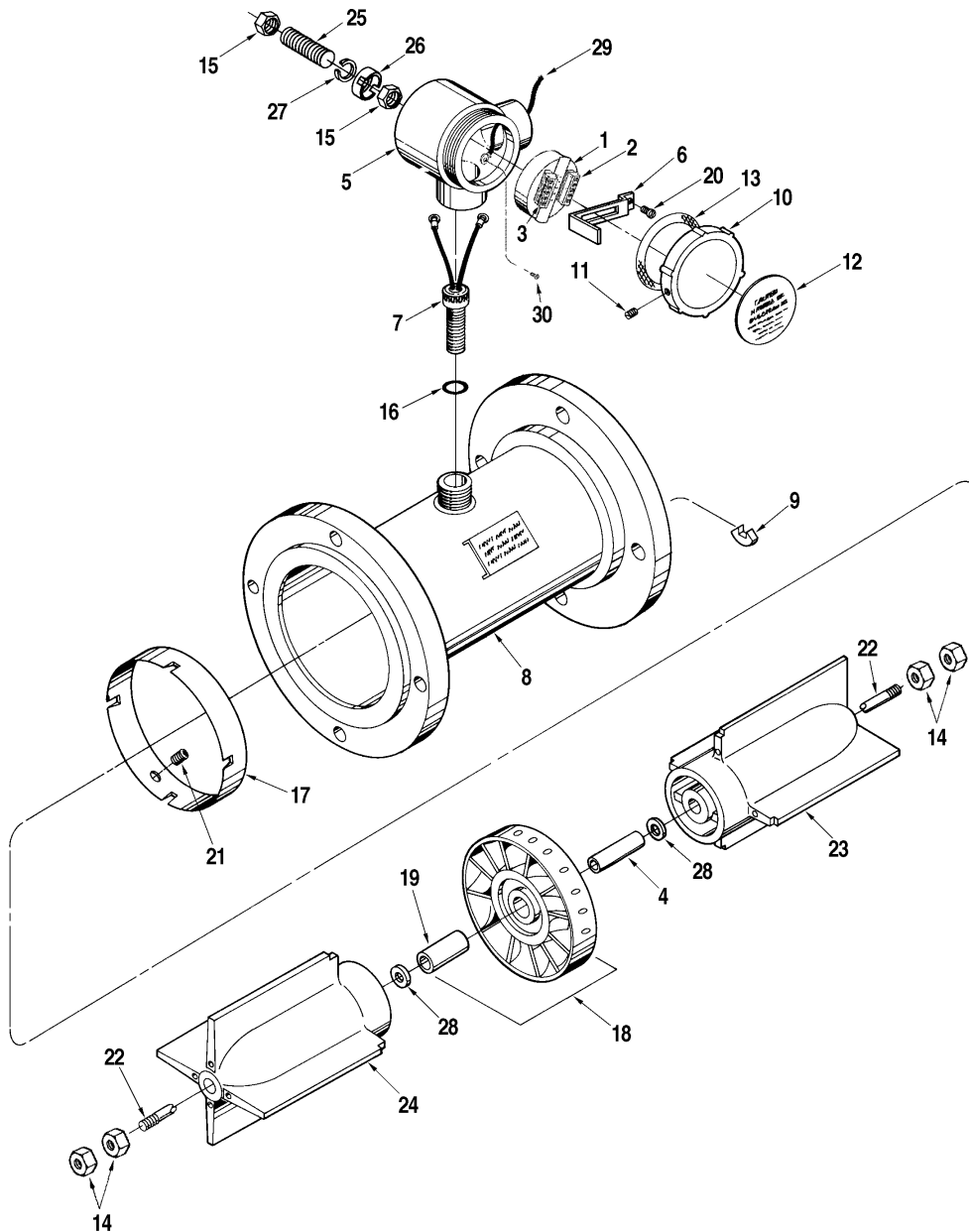


Models K2DR and K2DV 4" Sentry Series Turbine Meter

Bulletin PO02013 Issue/Rev. 0.1 (9/24)



For meters manufactured prior to August 1976, consult the factory.

Item	Note	Description	Quantity	Part Number
1	1	Preamplifier:		
	2	PA-6, 12 to 24 VDC		230663-101
2	2	Connector, (1 to 5)		645030-452
3	2	Connector, (6 to 10)		645030-453
4		Bearing, Platform:		
		Standard	1	541454-210
5	2	Box, Conduit		543256-200
6	2	Clip, Retaining		543192-203
7	1, 2	Coil, Pickup:		
	2	-100 to 225 °F		644327-401
	2	-100 to 400 °F (high temperature version)		Consult the Factory
	2	Mating connector with leads (high temperature version)		Consult the Factory
8	4	Housing	1	Consult the Factory
9	2	Key, Stator		542821-201
10		Cover, Conduit Box:		
	2	UL/CSA		543196-100
	2	ATEX: Manufactured in USA		544057-101
	2	ATEX: Manufactured in Germany		544057-102
11	2	Screw, Set, #6-32 x 1/4"		643243-403
12		Label:		
	2	UL/CSA		543195-200
	2	ATEX: Manufactured in USA		544056-201
	2	ATEX: Manufactured in Germany		544056-202
13	1, 2	Gasket, Cover		013403-200
14		Nut, #10-32	4	640704-001
15	2	Nut, 1/4"-20 (ATEX version only)		060060-001
16	2	O-Ring		641069-474
17		Ring, Deflector (stainless steel):		
		Unidirectional	1	541685-210
		Bidirectional	2	543207-201
18	1	Rotor Assembly:		
	5	Standard (2,100 pulses/bbl)—16 Button	1	544439-195
		High Resolution (3,150 pulses/bbl)—24 Button	1	544439-196
19		Bearing, Rotor	1	541455-210
20	2	Screw, #10-32 x 1/4"		009544-401
21	2	Screw, Set, #10-32 x 1/4" (two per deflector ring)		645690-401
22		Shaft, Rotor	1	544423-201
23		Stator, Downstream (stainless steel)	1	542367-211
24		Stator, Upstream (stainless steel):		
		Unidirectional	1	542366-211
		Bidirectional	1	542367-211
25	2	Stud (ATEX version only)		550773-001
26	2	Washer, Inverted (ATEX version only)		550770-001
27	2	Washer, 1/4" Lock (ATEX version only)		006621-001

Item	Note	Description	Quantity	Part Number
28	1	Washer, Thrust	2	543643-202
29	2	Ground Wire (UL/CSA version only)		544058-101
30	2	Screw, #10-32 x 1/4" (UL/CSA version only)		006110-002

Internal Parts Kits

Note	Description	Part Number
5	Unidirectional, Standard Resolution (2,100 pulses/bbl)	544624-123
	Bidirectional, Standard Resolution (2,100 pulses/bbl)	544624-124
	Unidirectional, High Resolution (3,150 pulses/bbl)	544624-143
	Bidirectional, High Resolution (3,150 pulses/bbl)	544624-144

Notes

Note	Description
1	Recommended stock
2	Order quantity required
3	Indicates revision since last issued
4	Consult the factory at 1 (814) 898-5000 and provide the following information: 1. Uni or bidirectional 2. Housing material 3. Flange material 4. Flange class (pressure) 5. Flange type 6. Number of pickup coil bosses
5	This is a 2,100 pulse/bbl (16 button) rotor. Prior to June 1992, standard rotor was 1,050 pulse/bbl (eight button)--No longer available. If direction sensing or pulse security is not needed, we recommend upgrade to 2,100 pulse/bbl (16 button) rotor. Be aware, however, that your program must be modified to compensate for the increased K-factor.

The specifications contained herein are subject to change without notice and any user of said specifications should verify from the manufacture that the specifications are currently in effect. Otherwise, the manufacturer assumes no responsibility for the use of specifications which may have been changed and are no longer in effect.

TechnipFMC.com

Copyright © 2024 TechnipFMC plc. All rights reserved.

TechnipFMC Corporate Headquarters
13460 Lockwood Road
Building S01
Houston, TX 77044 USA
+1 281.591.4000

USA Operations
1602 Wagner Avenue
Erie, PA 16510 USA
+1 814.898.5000

Germany Operations
Smith Meter GmbH
Regentstrasse 1
25474 Ellerbek, Germany
+49 4101 304.0