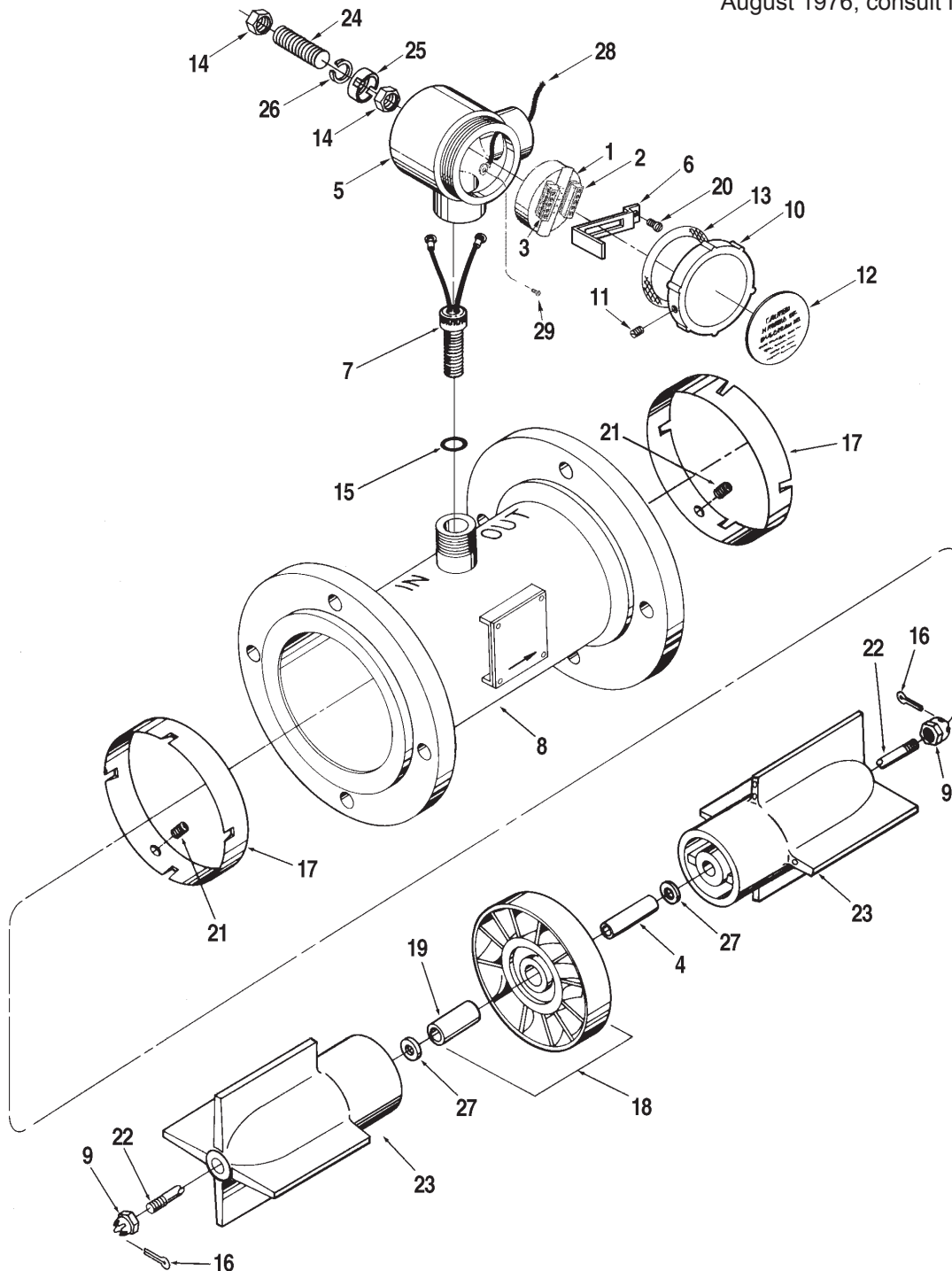


Meter, Turbine, 6 Inch, Low Flow, Sentry Series, Model K2DF

Bulletin PO02014 Issue/Rev. 0.0 (09/13)

For meters manufactured prior to August 1976, consult factory.



Item	Description	Qty.	Part Number
1	+ Preamplifier:		
	PA-6, 12 to 24 Vdc.....	#	230663-101
2	Connector, (1-5)	#	645030-452
3	Connector, (6-10)	#	645030-453
4	Bearing, Platform:		
	Standard	1	541454-212
5	Box, Conduit.....	#	543256-200
6	Clip, Retaining	#	543192-203
7	+ Coil, Pickup:		
	-100°F to 225°F	#	644327-401
	-100°F to 400°F (High Temperature Version)	#	641512-401
	Mating Connector with Leads (High Temperature Version)	#	540224-101
8	Housing	1	See Note 1
9	Nut, Castle, #10-32	2	643729-401
10	Cover, Conduit Box	#	543196-100
	UL/CSA.....	#	543196-100
	ATEX – Manufactured in U.S.A	#	544057-101
	ATEX – Manufactured in Germany.....	#	544057-102
11	Screw, Set, #6-32 x 1/4"	#	643243-403
12	Label:		
	UL/CSA.....	#	543195-200
	ATEX – Manufactured in U.S.A.....	#	544056-201
	ATEX – Manufactured in Germany.....	#	544056-202
13	Gasket, Cover	#	013403-200
14	Nut, 1/4"-20 (ATEX version only).....	#	060060-001
15	O-Ring	#	641069-474
16	Pin, Cotter, 1/16 x 3/4"	2	006132-001
17	Ring, Deflector (Stainless Steel)	2	541685-211
18	+ Rotor Assembly:		
	Standard (1,050 pulses/bbl).....	1	544441-193
	High Resolution (2,100 pulses/bbl).....	1	544441-194
19	Bearing, Rotor	1	541455-212
20	Screw, #10-32 x 1/4"	#	009544-401
21	Screw, Set, #10-32 x 1/4" (One per Deflector Ring).....	#	645690-401
22	Shaft, Rotor	1	544114-201
23	Stator (Stainless Steel).....	2	543099-211
24	Stud (ATEX version only)	#	550773-001
25	Washer, Inverted (ATEX version only).....	#	550770-001
26	Washer, 1/4" Lock (ATEX version only).....	#	006621-001
27	+ Washer, Thrust	2	543851-212
28	Ground Wire (UL/CSA version only).....	#	544058-101
29	Screw, #10-32 x 1/4" (UL/CSA version only).....	#	006110-002

Internal Parts Kits

Unidirectional, Standard Resolution	544626-103
Bidirectional, Standard Resolution	544626-104
Unidirectional, High Resolution (2,100 pulses/bbl).....	544626-123
Bidirectional, High Resolution (2,100 pulses/bbl)	544626-124

+ Recommended stock.

R Indicates change since last revision.

Order quantity required.

@1 Note 1: Consult Factory, 814 898-5000, providing the following information:

- | | |
|-------------------------|---------------------------------|
| 1. Uni or Bidirectional | 4. Flange Class (Pressure) |
| 2. Housing Material | 5. Flange Type |
| 3. Flange Material | 6. Number of Pickup Coil Bosses |

P0587.06X has been made obsolete and replaced by publication number PO02014 (September 2013).

The specifications contained herein are subject to change without notice and any user of said specifications should verify from the manufacturer that the specifications are currently in effect. Otherwise, the manufacturer assumes no responsibility for the use of specifications which may have been changed and are no longer in effect.

USA Operation
1602 Wagner Avenue
Erie, Pennsylvania 16510 USA
P:+1 814.898.5000

TechnipFMC
13460 Lockwood Road
Building S01
Houston, Texas 77044 USA
P:+1 281.591.4000

Germany Operation
Smith Meter GmbH
Regentstrasse 1
25474 Ellerbek, Germany
P:+49 4101 304.0

TechnipFMC.com

© TechnipFMC plc. 2020 All rights reserved. PO02014 rev. 0.0 (09/13)