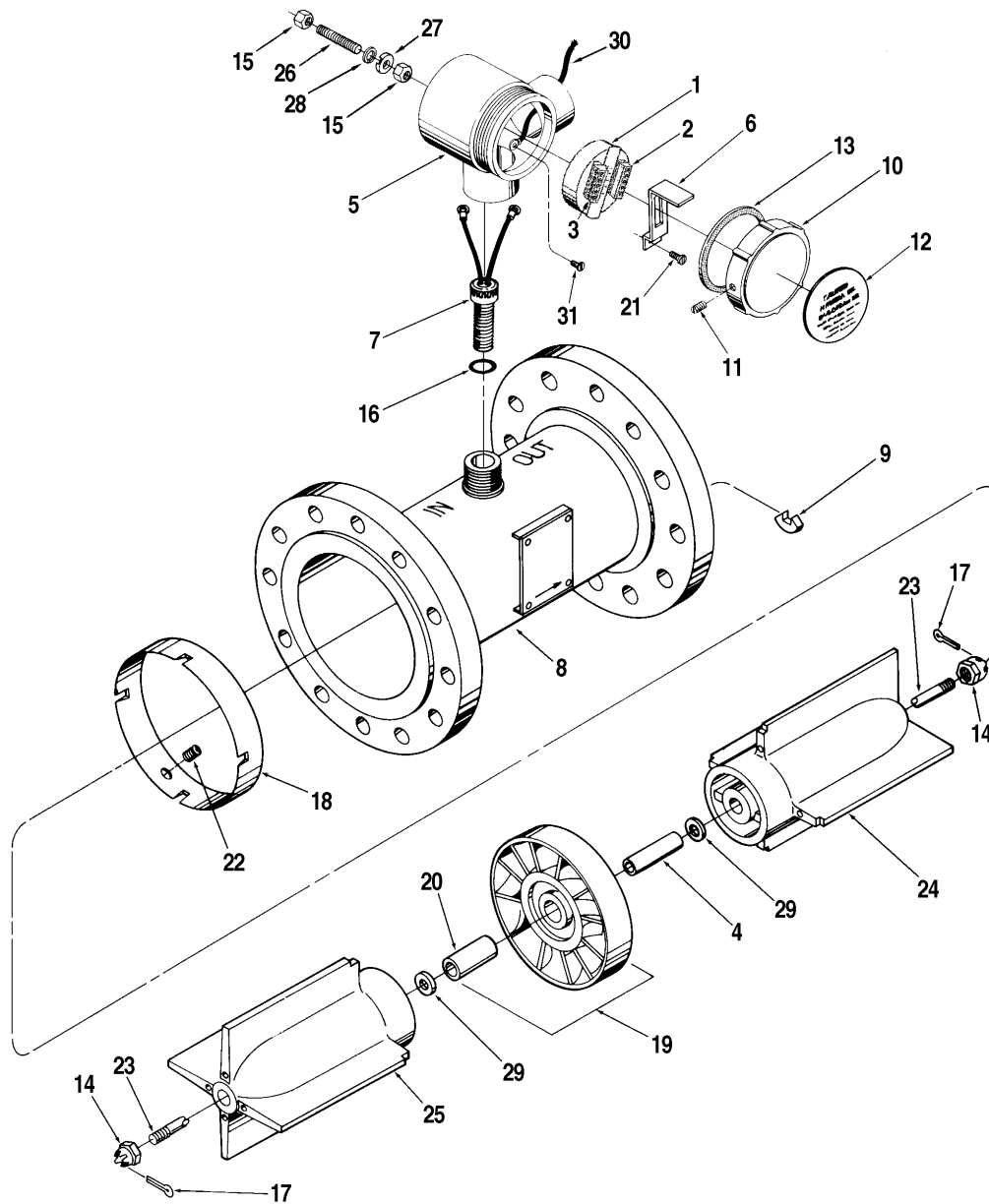


Model K2DJ 10" Sentry Series Turbine Meter

Bulletin PO02017 Issue/Rev. 0.1 (9/24)



For meters manufactured prior to August 1976, consult the factory.

Item	Note	Description	Quantity	Part Number
1	1	Preamplifier:		
	2	PA-6, 12 to 24 VDC		230663-101
2	2	Connector, (1-5)		645030-452
3	2	Connector, (6-10)		645030-453
4	1	Bearing, Platform:		
		Smooth	1	541454-214
5	2	Box, Conduit		543256-200
6	2	Clip, Retaining		543192-203
7	1	Coil, Pickup:		
	2	-100 to 225 °F		644327-401
	2	-100 to 400 °F (high temperature version)		Consult the Factory
	2	Mating Connector with Leads (high temperature version)		Consult the Factory
8	4	Housing	1	Consult the Factory
9		Key, Stator:		
		For Stainless Steel Stators	1	544115-203
10		Cover, Conduit Box:		
	2	UL/CSA		543196-100
	2	ATEX: Manufactured in USA		544057-101
	2	ATEX: Manufactured in Germany		544057-102
11	2	Screw, Set, #6-32 x 1/4"	2	643243-403
12		Label:		
	2	UL/CSA		543195-200
	2	ATEX: Manufactured in USA		544056-201
	2	ATEX: Manufactured in Germany		544056-202
13	1, 2	Gasket, Cover		013403-200
14	1	Nut, Castle, 1/2"-13, UNF-2B	2	643729-402
15	2	Nut, 1/4"-20 (ATEX version only)		060060-001
16	2	O-Ring		641069-474
17		Pin, Cotter, 1/8 x 1-1/4"	2	645542-401
18		Ring, Deflector (stainless steel):		
		Unidirectional	1	543054-214
		Bidirectional	2	543054-214
19	1	Rotor Assembly (525 Pulses/BBL)	1	544443-192
20		Bearing, Rotor	1	541455-214
21	2	Screw, #10-32 x 1/4"		009544-401
22	2	Screw, Set, 1/4-20 x 1/4" (two per deflector ring)		645690-402
23		Shaft, Rotor	1	544202-201
24		Stator, Downstream	1	542358-212
25		Stator, Upstream		
		Unidirectional	1	542357-212
		Bidirectional	1	542358-212
26	2	Stud (ATEX version only)		550773-001
27	2	Washer, Inverted Tag (ATEX version only)		550770-001
28	2	Washer, 1/4" Lock (ATEX version only)		006621-001

Item	Note	Description	Quantity	Part Number
29		Washer, Thrust	2	543851-214
30	2	Ground Wire (UL/CSA version only)		544058-101
31	2	Screw, #10-32 x 1/4" (UL/CSA version only)		006110-002

Internal Parts Kits

Description	Part Number
Unidirectional, Smooth Bearing	544610-103
Bidirectional, Smooth Bearing	544610-104

Notes

Note	Description
1	Recommended stock
2	Order quantity required
3	Indicates revision since last issued
4	Consult the factory at 1 (814) 898-5000 and provide the following information: <ul style="list-style-type: none"> 1. Uni or bidirectional 2. Housing material 3. Flange material 4. Flange class (pressure) 5. Flange type 6. Number of pickup coil bosses

The specifications contained herein are subject to change without notice and any user of said specifications should verify from the manufacture that the specifications are currently in effect. Otherwise, the manufacturer assumes no responsibility for the use of specifications which may have been changed and are no longer in effect.

USA Operations
1602 Wagner Avenue
Erie, PA 16510 USA
+1 814.898.5000

TechnipFMC Corporate Headquarters
13460 Lockwood Road
Building S01
Houston, TX 77044 USA
+1 281.591.4000

Germany Operations
Smith Meter GmbH
Regentstrasse 1
25474 Ellerbek, Germany
+49 4101 304.0

TechnipFMC.com

Copyright © 2024 TechnipFMC plc. All rights reserved.