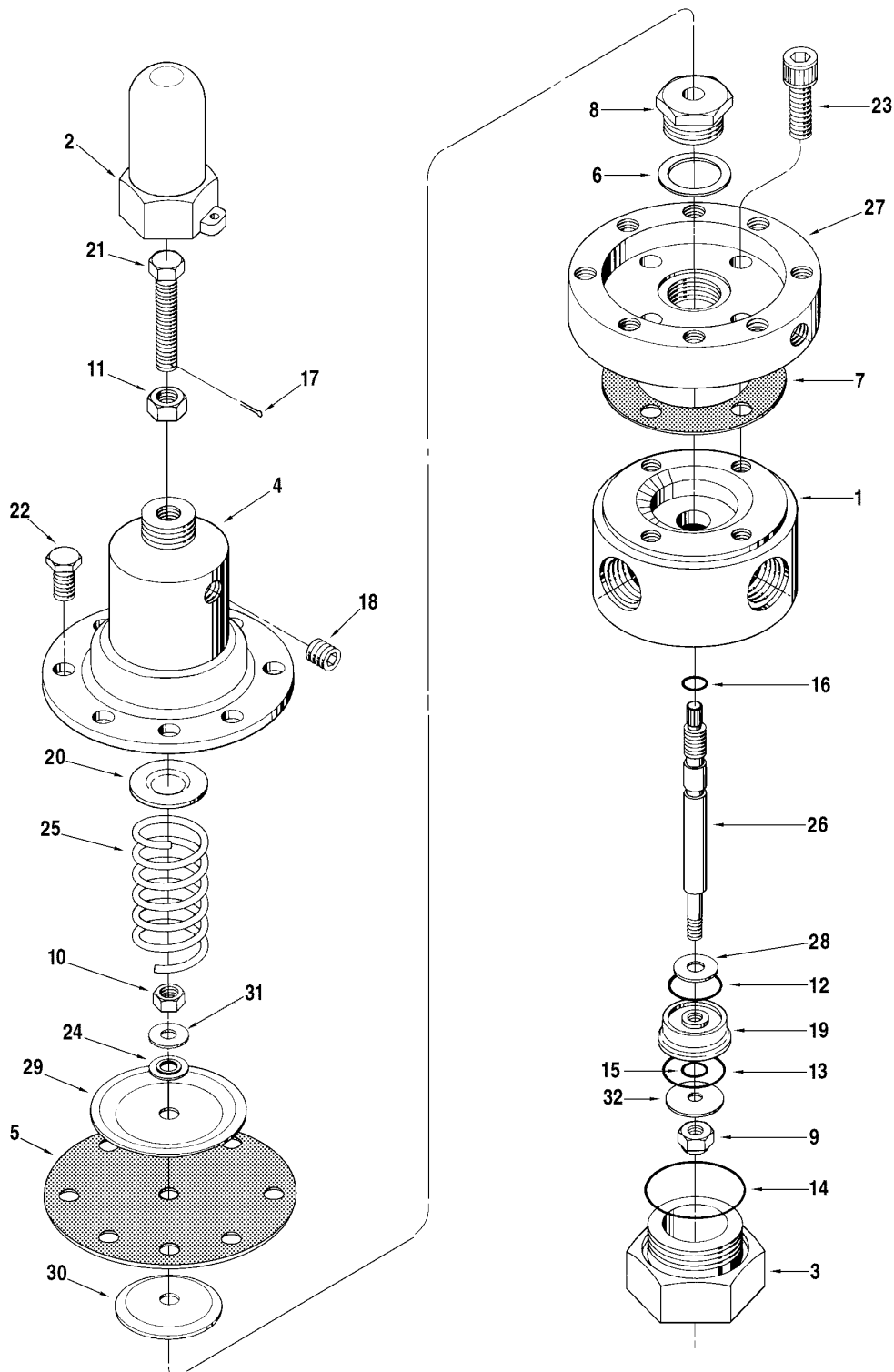


Pressure-Sensing Pilot, Models 23A, 23PG, 23Bp, 23DP

Bulletin P003001 Issue/Rev. 0.0 (1/12)

FMCTechnologies

We put you first.
And keep you ahead.



Item		Description	Quantity	Part Number
1		Body	1	529471-001
2		Cap	1	527278-001
3		Cover, Bottom	1	526105-004
4	@1	Cover, Top:		
		Carbon Steel	1	528559-002
		Stainless Steel	1	528559-005
5	+	Diaphragm:		
		Buna-N	1	528551-001
		Viton	1	528551-002
6	+	Gasket	1	527402-001
7	+	Gasket:		
		Buna-N	1	529461-001
		Viton	1	529461-002
8		Guide	1	529407-001
9		Nut, Lock #10-32	1	640083-003
10		Nut, 1/4"-28	1	645513-401
11		Nut, Seal, 3/8"-24	1	643953-401
12	+	O-Ring:		
		Buna-N	1	507565-001
		Viton	1	507565-003
13	+	O-Ring:		
		Buna-N	1	640829-005
		Viton	1	641276-405
14	+	O-Ring:		
		Buna-N	1	640830-007
		Viton	1	640894-403
15	+	O-Ring:		
		Buna-N	1	640887-007
		Viton	1	640798-408
16	+	O-Ring (PTFE ¹ -Filled Viton)	1	644260-403
17		Pin, Cotter, 1/16 x 5/8"	1	641042-401
18		Plug, Vent, 1/8" NPT	1	508701-001
19		Retainer, O-Ring	1	526103-003
30		Retainer, Spring	1	527182-001
21		Screw, Adjusting, 3/8-24 x 2"	1	644839-401
22		Screw:		
		1/4-20 x 1/2"	8	006455-401
	@2	1/4-20 x 7/8"	8	645207-401
23		Screw, 1/4-20 x 3/4"	4	642072-407
24		Seal, Thread:		
		Buna-N	1	643754-402
		Viton	1	645793-401

Item		Description	Quantity	Part Number
25		Spring:		
		5-35 PSI	1	528442-001
		35-300 PSI	1	527231-001
26		Stem	1	529409-001
27		Wafer	1	529462-001
28		Washer, O-Ring, Upper	1	508029-002
29		Washer, Diaphragm, Upper	1	528547-001
30		Washer, Diaphragm, Lower	1	527280-001
31		Washer, Flat, .500 OD x .260" ID	1	060554-001
32		Washer, O-Ring, Lower	1	526104-003
	+	Recommended stock.		
	@1	Cover incorporates bushing as part of cover casting.		
	@2	Use on Stainless Steel Assemblies.		



**We put you first.
And keep you ahead.**

Revisions included in P003001 Issue/Rev. 0.0 (1/12):

Rebranding and reformatting Nov. 2014. No informational changes have occurred.

The specifications contained herein are subject to change without notice and any user of said specifications should verify from the manufacturer that the specifications are currently in effect. Otherwise, the manufacturer assumes no responsibility for the use of specifications which may have been changed and are no longer in effect.

Contact information is subject to change. For the most current contact information, visit our website at www.fmctechnologies.com/measurementsolutions and click on the "Contact Us" link in the left-hand column.