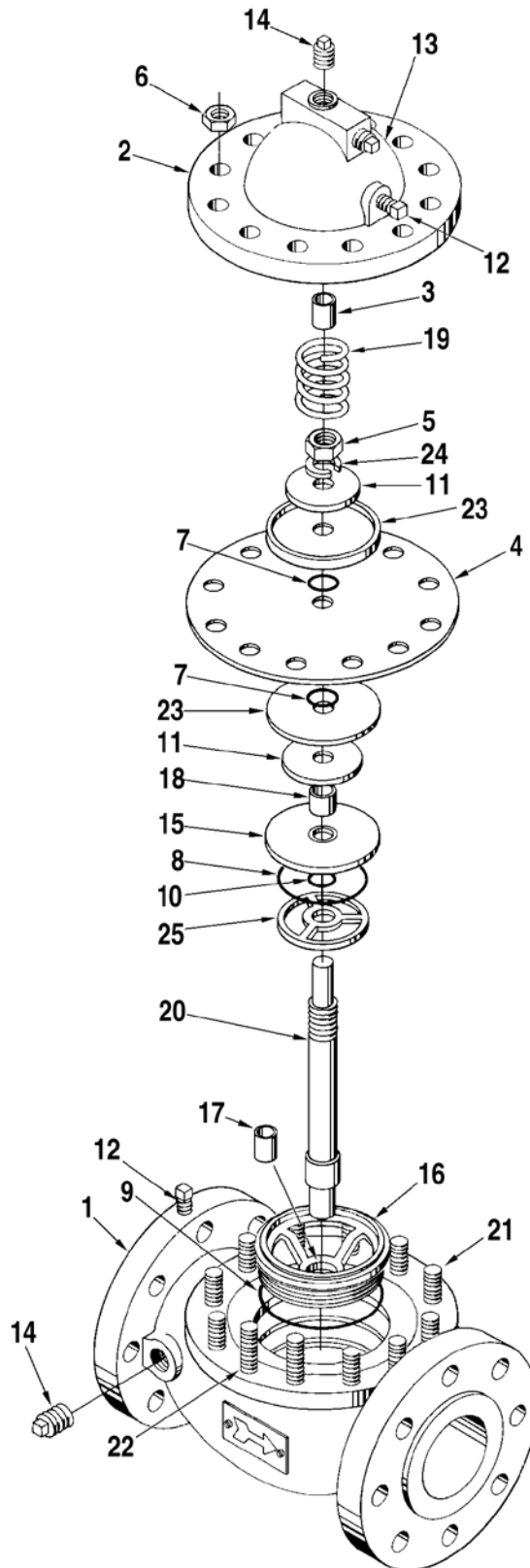


Fittings and tubing not called out. Customer should purchase locally or consult factory.



Item	Description	Qty.	Part Number
1	Body:		
	Steel, Class 150#	1	528705-001
	Steel, Class 300#	1	528801-001
2	Cover, Steel (with Bearing)	1	528765-004
3	†Bearing, Cover, Ni-Resist	1	529675-004
4	+ Diaphragm:		
	Buna-N	1	507400-001
	Low Swell Buna.....	1	507400-009
	Viton	1	507400-002
5	Nut, Stem.....	1	643756-403
6	Nut, Stud, 5/8"-11, UNC-2B	12	006309-400
7	+ O-Ring, Diaphragm:		
	Buna-N	2	640887-009
	Viton	2	640798-420
8	+ O-Ring, Retainer:		
	Low Swell Buna.....	1	507573-008
	Viton	1	507573-003
9	+ O-Ring, Seat:		
	Buna-N	1	641136-403
	Viton	1	643313-401
10	+ O-Ring, Stem:		
	Buna-N	1	640887-009
	Viton	1	640798-420
11	Plate, Back-Up:		
	Standard.....	2	528847-001
12	Plug, Pipe, 1/8" NPT	3	644522-401
13	Plug, Pipe, 1/2" NPT	2	006505-002
14	Plug, Pipe, 3/4" NPT	5	006878-002
15	Retainer, Ductile Iron – Standard.....	1	524174-004
16	Seat, Stainless Steel (with Bearing)	1	528380-101
17	†Bearing, Seat, Ni-Resist.....	1	529675-004
18	Spacer:		
	Steel – Standard	1	528845-001
19	Spring	1	525355-001
20	Stem	1	528844-001
21	Stud, Cover, 5/8"-11 x 2-1/4"	10	643823-422
22	Stud, Bracket, 5/8"-11 x 3"	2	643823-423
23	Washer, Diaphragm, Stainless Steel	2	528848-006
24	Washer, Lock Spring.....	1	643164-407
25	Washer, O-Ring, Ductile Iron	1	508040-003

† Bearing may need reaming once pressed into cover or seat.

+ Recommended stock.

R Indicates change since last revision.

Revisions included in PO03003 Issue/Rev. 0.0 (4/12):

Total Revision.

Replaces publication P1042.02 rev. 0.2 (5/95)

The specifications contained herein are subject to change without notice and any user of said specifications should verify from the manufacturer that the specifications are currently in effect. Otherwise, the manufacturer assumes no responsibility for the use of specifications which may have been changed and are no longer in effect.

Contact information is subject to change. For the most current contact information, visit our website at www.fmctechnologies.com/measurementsolutions and click on the "Contact Us" link in the left-hand column.

Headquarters:

500 North Sam Houston Parkway West, Suite 100, Houston, TX 77067 USA, Phone: +1 (281) 260 2190, Fax: +1 (281) 260 2191

Measurement Products and Equipment:

Erie, PA USA +1 (814) 898 5000

Ellerbek, Germany +49 (4101) 3040

Barcelona, Spain +34 (93) 201 0989

Beijing, China +86 (10) 6500 2251

Buenos Aires, Argentina +54 (11) 4312 4736

Burnham, England +44 (1628) 603205

Dubai, United Arab Emirates +971 (4) 883 0303

Los Angeles, CA USA +1 (310) 328 1236

Melbourne, Australia +61 (3) 9807 2818

Moscow, Russia +7 (495) 5648705

Singapore, +65 6861 3011

Integrated Measurement Systems:

Corpus Christi, TX USA +1 (361) 289 3400

Kongsberg, Norway +47 (32) 286700

Dubai, United Arab Emirates +971 (4) 883 0303

Visit our website at www.fmctechnologies.com/measurementsolutions