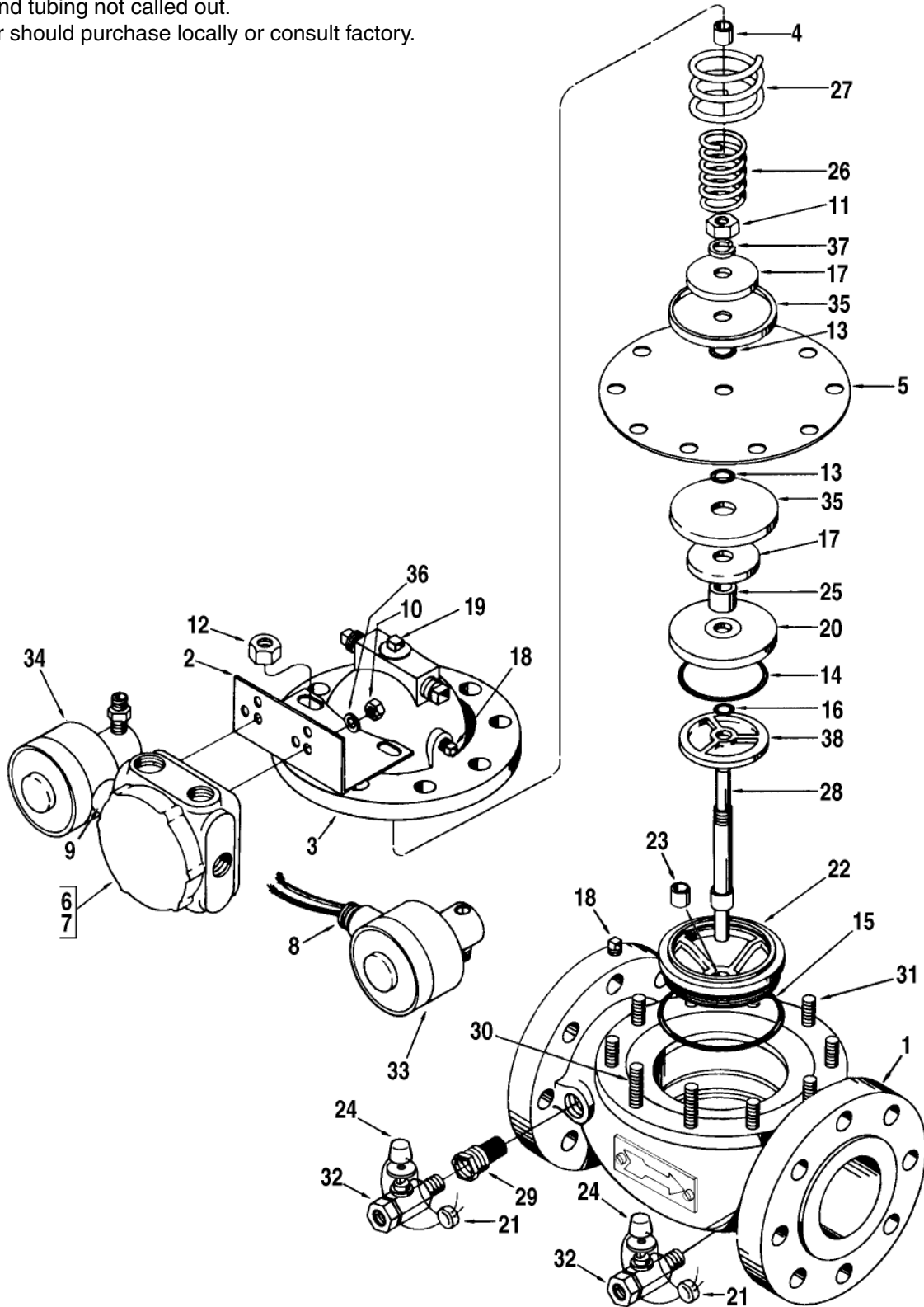


Fittings and tubing not called out.  
Customer should purchase locally or consult factory.



Item	Description	Qty.	Part Number
1	Body, Steel, 150# .....	1	529971-001
2	Bracket, Solenoids with Junction Box.....	1	528452-001
3	@2 Cover, Steel with Ni-Resist Bearing.....	1	529972-101
4	† Bearing, Cover, Ni-Resist .....	1	529531-003
5	+ Diaphragm:		
	Current Design (10 Stud Holes):		
	L.S Buna.....	1	507399-012
	Buna .....	1	507399-013
	Viton .....	1	507399-011
	Previous Design (8 Stud Holes):		
	L.S. Buna .....	1	507399-009
	Buna .....	1	507399-001
	Viton .....	1	507399-002
6	Junction Box Kit:.....	1	528496-002
7	Junction Box .....	1	528454-001
8	Nipple, 1/2" x 1-1/8".....	1	009630-400
9	Nipple, 1/2" x 2" .....	1	642557-418
10	Nut, 5/16"-18, UNC-2B .....	2	002876-400
11	Nut, Stem, 5/8"-18, UNF-2B.....	1	643756-402
12	Nut, Stud:		
	Current Design – 5/8-11", UNC-2B .....	12	006309-400
	Previous Design – 1/2-13" .....	10	006415-400
13	+ O-Ring, Diaphragm:		
	Buna-N.....	2	640887-418
	Viton.....	2	640798-416
14	+ O-Ring, Retainer:		
	Low Swell Buna .....	1	507571-008
	Viton.....	1	507571-003
15	+ O-Ring, Seat:		
	Buna-N.....	1	640887-422
	Viton.....	1	640798-434
16	+ O-Ring, Stem:		
	Buna-N.....	1	640913-005
	Viton.....	1	641276-405
17	Plate, Backup, Steel .....	2	528659-001
18	Plug, Pipe, 1/8" NPT, Hex. Head .....	3	644522-401
19	Plug, Pipe, 1/2" NPT, Hex. Head .....	3	006505-002
20	Retainer, O-Ring, Ductile Iron .....	1	507705-004
21	Seal, Lead and Wire.....	2	001627-400
22	@2 Seat, Stainless Steel with Ni-Resist Bearing.....	1	528406-101
23	† Bearing, Seat, Ni-Resist .....	1	529531-008
24	Shell .....	2	643706-401
25	Spacer, Steel.....	1	524198-004
26	Spring.....	1	525351-003
27	Spring, Dropover .....	1	529464-001
28	Stem, Stainless Steel .....	1	528658-001
29	+ Strainer, Model 09SC .....	1	528341-002
30	Stud, Bracket:		
	Current Design – 5/8-11 x 3".....	2	643823-423
	Previous Design – 1/2-13 x 2-3/4" .....	2	643823-409
31	Stud, Cover:		
	Current Design – 5/8-11" x 2-1/4" .....	8	643823-422
	Previous Design – 1/2-13 x 2" .....	6	643823-410

Item		Description	Qty.	Part Number
32	R	Valve, Needle, Model 13: 3/8" NPT Carbon Steel .....	2	643710-401
		3/8" NPT Stainless Steel .....	2	641109-403
33	@1	Valve, Solenoid, N.C. Model 30A.....	1	See Note
34	@1	Valve, Solenoid, N.O. Model 30B.....	1	See Note
35		Washer, Diaphragm, Stainless Steel .....	2	528660-007
36		Washer, Lock.....	2	002917-400
37		Washer, Lock Spring .....	1	643164-406
38		Washer, O-Ring .....	1	508038-003

+ Recommended stock.

R Indicates change since last revision.

@1 When ordering, the following information is required:

1. Electrical Requirements (VOLTS/Hz or DC).
2. Valve Catalog Number displayed on the nameplate of the solenoid,  
or
3. Log Number displayed on the nameplate of the main valve body flange.

@2 Ni-Resist bearing included with cover or seat.

---

† Bearing may need reaming once pressed into cover or seat.

Revisions included in PO03005 Issue/Rev. 0.1 (9/12):  
Pages 1 and 2: Removed item #20 (3/8" pipe plug) & revised item numbers 21-39.  
Page 3: Added Carbon Steel & Stainless Steel sub-items under item #32 (Valve, Needle, Model 13).

The specifications contained herein are subject to change without notice and any user of said specifications should verify from the manufacturer that the specifications are currently in effect. Otherwise, the manufacturer assumes no responsibility for the use of specifications which may have been changed and are no longer in effect.

Contact information is subject to change. For the most current contact information, visit our website at [www.fmctechnologies.com/measurementsolutions](http://www.fmctechnologies.com/measurementsolutions) and click on the "Contact Us" link in the left-hand column.

---

**Headquarters:**

500 North Sam Houston Parkway West, Suite 100, Houston, TX 77067 USA, Phone: +1 (281) 260 2190, Fax: +1 (281) 260 2191

**Measurement Products and Equipment:**

**Erie, PA USA** +1 (814) 898 5000

**Ellerbek, Germany** +49 (4101) 3040

**Barcelona, Spain** +34 (93) 201 0989

**Beijing, China** +86 (10) 6500 2251

**Burnham, England** +44 (1628) 603205

**Dubai, United Arab Emirates** +971 (4) 883 0303

**Los Angeles, CA USA** +1 (310) 328 1236

**Melbourne, Australia** +61 (3) 9807 2818

**Moscow, Russia** +7 (495) 5648705

**Singapore,** +65 6861 3011

**Integrated Measurement Systems:**

**Corpus Christi, TX USA** +1 (361) 289 3400

**Kongsberg, Norway** +47 (32) 286700

**Dubai, United Arab Emirates** +971 (4) 883 0303

**Visit our website at [www.fmctechnologies.com/measurementsolutions](http://www.fmctechnologies.com/measurementsolutions)**