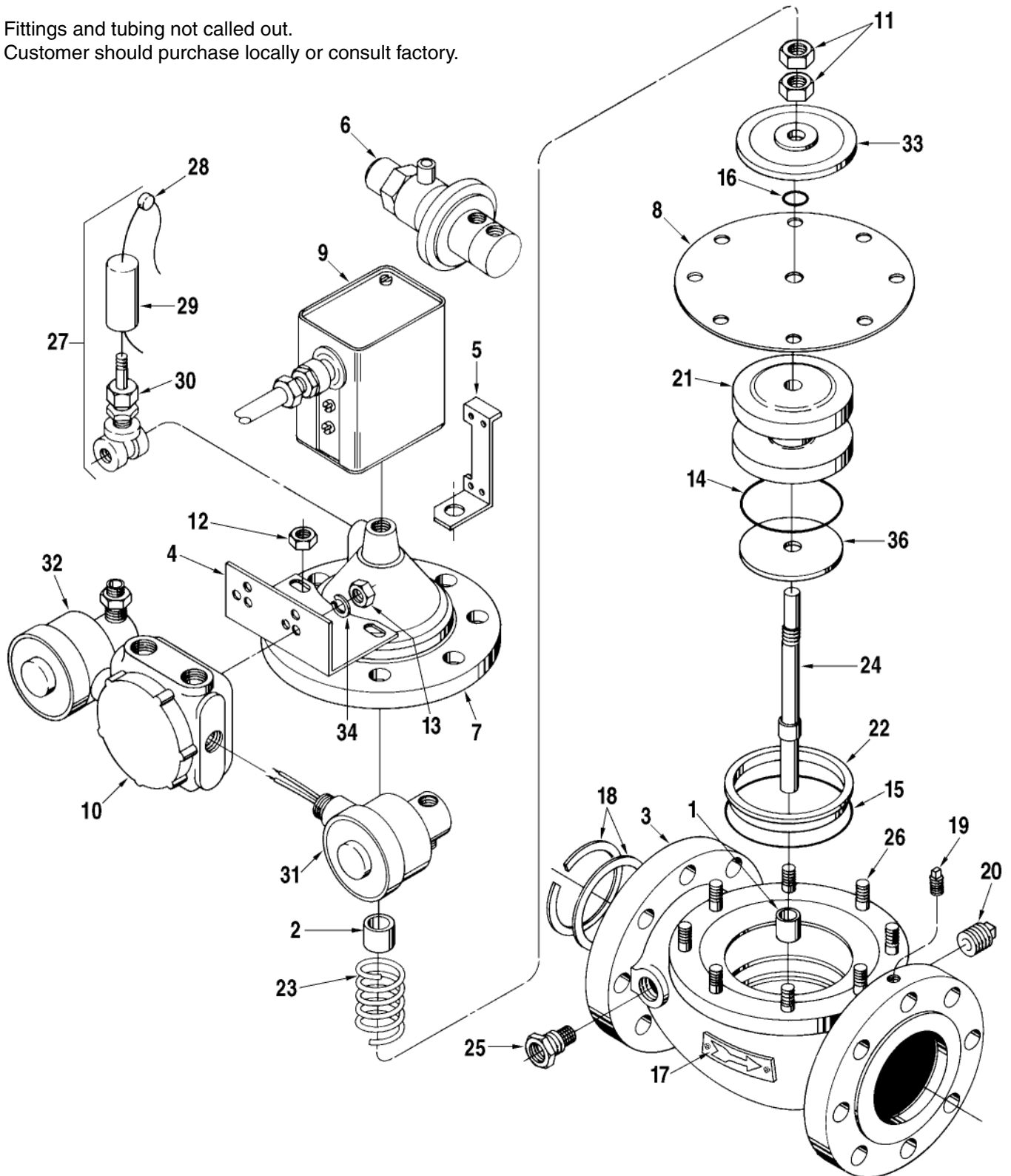


Fittings and tubing not called out.  
Customer should purchase locally or consult factory.



Item	Description	Qty.	Part Number
1	† Bearing, Body (NI-Resist).....	1	529675-003
2	† Bearing, Cover (NI-Resist) .....	1	529675-002
3	Body, Cast Steel, Class 150 .....	1	524108-001
4	Bracket, Junction Box/Solenoids .....	1	528744-001
5	Bracket, Pilot Support.....	1	528743-001
6	@1 Control, Rate of Flow, Model 40A.....	1	See Note
7	Cover, 150# .....	1	507266-004
8	+ Diaphragm:		
	Low Swell Buna .....	1	507378-008
	Viton-A .....	1	507378-003
	Buna-N.....	1	507378-001
9	@2 Indicator, Position, Model 04A, with Self-Aligning:		
	Stem Assembly .....	1	See Note
10	Junction Box .....	1	528495-001
11	Nut, Stem, 3/8"-24 .....	2	643756-406
12	Nut, Stud, 5/16"-18 .....	10	642148-415
13	Nut, Junction Box .....	2	002876-400
14	+ O-Ring, Retainer:		
	Low Swell Buna .....	1	507560-008
	Viton.....	1	507560-004
15	+ O-Ring, Seat:		
	Buna-N.....	1	640887-426
	Viton.....	1	640798-435
16	+ O-Ring, Stem:		
	Buna-N.....	1	640887-404
	Viton.....	1	640798-002
17	Plate, Arrow .....	1	508553-001
18	@3 Plate, Orifice .....	1	See Note
19	Plug, Pipe, 1/8" NPT.....	#	006073-002
20	Plug, Pipe, 3/8" NPT.....	#	003131-402
21	Retainer, O-Ring.....	1	507682-003
22	Seat (Stainless Steel).....	1	507802-003
23	Spring .....	1	507742-001
24	Stem .....	1	507848-001
25	Strainer, Model 09SC .....	1	528734-001
26	Stud:		
	Cover, 5/16"-18 x 1 3/8" .....	6	643823-405
	Bracket, 5/16"-18 x 1 3/4" .....	2	643823-406
27	R Valve, Assembly, Complete:		
	3/8" NPT, Model 13, Carbon Steel .....	1	527065-001
	3/8" NPT, Model 13, Stainless Steel .....	1	527065-003
28	Seal, Lead, and Wire .....	1	001627-400
29	Shell.....	1	643706-401
30	R Valve, Needle, Model 13:		
	3/8" NPT Carbon Steel .....	1	643710-401
	3/8" NPT Stainless Steel .....	1	641109-403
31	@4 Valve, Solenoid, Model 30A.....	1	See Note
32	@4 Valve, Solenoid, Model 30B.....	1	See Note
33	Washer, Diaphragm (Stainless Steel).....	1	507979-008
34	Washer, Lock.....	2	002917-400
35	Washer, O-Ring .....	1	508022-005

- + Recommended stock.
- # Order quantity required.
- R Indicates change since last revision.
- @1 See Form No. P1023.\* for components.
- @2 See Form No. P1019.\* for components.
- @3 Contact Smith Meter Inc. Sales Office for ordering instructions.
- @4 See Form No. P1025.\* for ordering instructions.
- \* The latest edition is indicated by a 2-digit postscript (e.g., .01, .02, etc.).
- † Bearing may need reaming once pressed into the cover or body.

PO03009 has replaced publication number P1051.03, which has been made obsolete.

The specifications contained herein are subject to change without notice and any user of said specifications should verify from the manufacturer that the specifications are currently in effect. Otherwise, the manufacturer assumes no responsibility for the use of specifications which may have been changed and are no longer in effect.

Contact information is subject to change. For the most current contact information, visit our website at [www.fmctechnologies.com/measurementsolutions](http://www.fmctechnologies.com/measurementsolutions) and click on the "Contact Us" link in the left-hand column.

**Headquarters:**

500 North Sam Houston Parkway West, Suite 100, Houston, TX 77067 USA, Phone: +1 (281) 260 2190, Fax: +1 (281) 260 2191

**Measurement Products and Equipment:**

**Erie, PA USA** +1 (814) 898 5000

**Ellerbek, Germany** +49 (4101) 3040

**Barcelona, Spain** +34 (93) 201 0989

**Beijing, China** +86 (10) 6500 2251

**Burnham, England** +44 (1628) 603205

**Dubai, United Arab Emirates** +971 (4) 883 0303

**Los Angeles, CA USA** +1 (310) 328 1236

**Melbourne, Australia** +61 (3) 9807 2818

**Moscow, Russia** +7 (495) 5648705

**Singapore**, +65 6861 3011

**Integrated Measurement Systems:**

**Corpus Christi, TX USA** +1 (361) 289 3400

**Kongsberg, Norway** +47 (32) 286700

**Dubai, United Arab Emirates** +971 (4) 883 0303

**Visit our website at [www.fmctechnologies.com/measurementsolutions](http://www.fmctechnologies.com/measurementsolutions)**