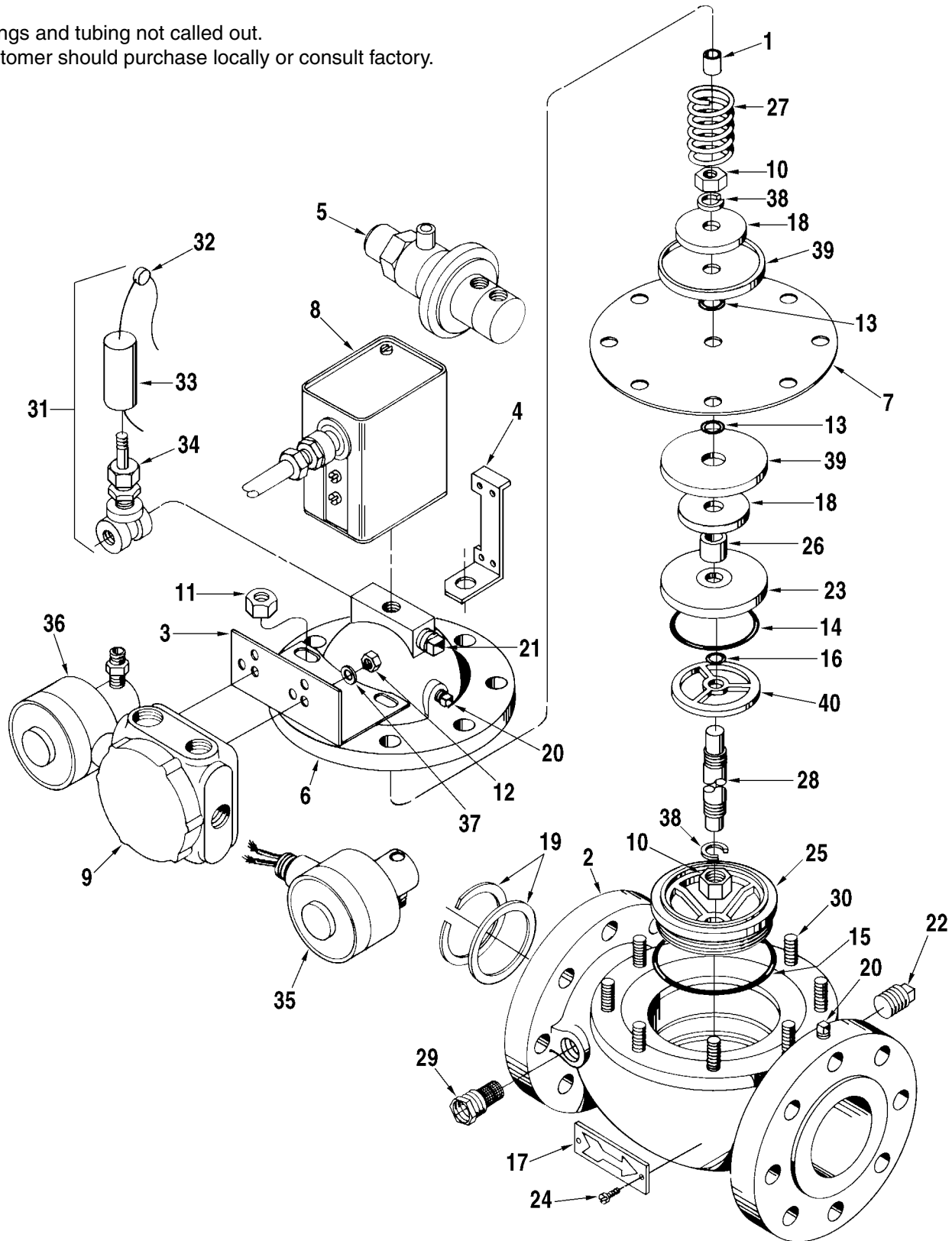


Fittings and tubing not called out.
 Customer should purchase locally or consult factory.



Item	Description	Qty.	Part Number
1	Bearing, Cover:		
	Bronze	1	009971-400
	Steel.....	1	524262-012
2	Body:		
	Cast Steel, Class 150	1	529426-001
	Cast Steel, Class 300	1	529426-002
3	Bracket, Junction Box/Solenoids	1	528452-001
4	Bracket, Pilot Support.....	1	528453-001
5	@1 Control, Rate of Flow, Model 40A.....	1	See Note
6	Cover.....	1	529425-091
7	+ Diaphragm:		
	Buna-N.....	1	507391-001
	Low Swell Buna	1	507391-008
	Viton.....	1	507391-002
	EPR	1	507391-005
	Gylon	1	507391-007
8	@2 Indicator, Position, Model 04A, with Self-Aligning:		
	Stem Assembly	1	See Note
9	Junction Box.....	1	528495-001
10	Nut, Stem, 1/2"-20.....	2	640671-001
11	Nut, Stud, 7/16"-14.....	8	006618-002
12	Nut, 5/16"-18	2	002876-400
13	+ O-Ring, Diaphragm:		
	Viton.....	2	640798-414
	EPR	2	641558-408
14	+ O-Ring, Retainer:		
	Buna-N.....	1	507568-001
	Low Swell Buna	1	507568-008
	Viton.....	1	507568-003
	EPR	1	507568-005
15	+ O-Ring, Seat:		
	Buna-N.....	1	640887-423
	Viton.....	1	640798-436
	EPR	1	641558-421
16	+ O-Ring, Stem:		
	Buna-N.....	1	640913-003
	Viton.....	1	641276-403
	EPR	1	641559-403
17	Plate, Arrow.....	1	508553-001
18	Plate, Back-Up.....	2	529437-001
19	@3 Plate, Orifice.....	1	See Note
20	Plug, 1/8" NPT.....	#	644522-401
21	Plug, 3/8" NPT.....	#	003131-402
22	Plug, 1/2" NPT.....	#	006505-002
23	Retainer, O-Ring.....	1	507692-003
24	Screw, 3/16" Drive	2	640813-001
25	Seat:		
	Bronze	1	528432-002
	Ni-Resist	1	528432-003
26	Spacer.....	1	529435-001
27	Spring:		
	Standard	1	507756-001
	For Use with Gylon Diaphragm.....	1	525351-003
28	Stem.....	1	529434-001
29	Strainer, Model 09SC	1	528341-002
30	Stud.....	8	642361-403

Item		Description	Qty.	Part Number
31	R	Valve, Assembly, Complete:		
		3/8" NPT, Model 13, Carbon Steel.....	1	527065-001
		3/8" NPT, Model 13, Stainless Steel.....	1	527065-003
32	+	Seal, Lead, and Wire	1	001627-400
33		Shell.....	1	643706-401
34	R	Valve, Needle, Model 13 Only:		
		3/8" NPT Carbon Steel	1	643710-401
		3/8" NPT Stainless Steel	1	641109-403
35	@4	Valve, Solenoid, Model 30A.....	1	See Note
36	@4	Valve, Solenoid, Model 30B.....	1	See Note
37		Washer, Lock.....	2	002917-400
38		Washer, Lock, Spring	2	002788-401
39		Washer, Diaphragm.....	2	529436-001
40		Washer, O-Ring	1	528914-001

+ Recommended stock.

Order quantity required.

R Indicates change since last revision.

@1 See Form No. PO03024 for components.

@2 See Form No. PO03002 for components.

@3 Contact Smith Meter Inc. Sales Office for ordering instructions.

@4 See Form No. P1025.* for ordering instructions.

* The latest edition is indicated by a 2-digit postscript (e.g., .01, .02, etc.).

PO03010 has replaced publication number P1052.03X, which has been made obsolete.

The specifications contained herein are subject to change without notice and any user of said specifications should verify from the manufacturer that the specifications are currently in effect. Otherwise, the manufacturer assumes no responsibility for the use of specifications which may have been changed and are no longer in effect.

Contact information is subject to change. For the most current contact information, visit our website at www.fmctechnologies.com/measurementsolutions and click on the "Contact Us" link in the left-hand column.

Headquarters:

500 North Sam Houston Parkway West, Suite 100, Houston, TX 77067 USA, Phone: +1 (281) 260 2190, Fax: +1 (281) 260 2191

Measurement Products and Equipment:

Erie, PA USA +1 (814) 898 5000

Ellerbek, Germany +49 (4101) 3040

Barcelona, Spain +34 (93) 201 0989

Beijing, China +86 (10) 6500 2251

Burnham, England +44 (1628) 603205

Dubai, United Arab Emirates +971 (4) 883 0303

Los Angeles, CA USA +1 (310) 328 1236

Melbourne, Australia +61 (3) 9807 2818

Moscow, Russia +7 (495) 5648705

Singapore +65 6861 3011

Integrated Measurement Systems:

Corpus Christi, TX USA +1 (361) 289 3400

Kongsberg, Norway +47 (32) 286700

Dubai, United Arab Emirates +971 (4) 883 0303

Visit our website at www.fmctechnologies.com/measurementsolutions