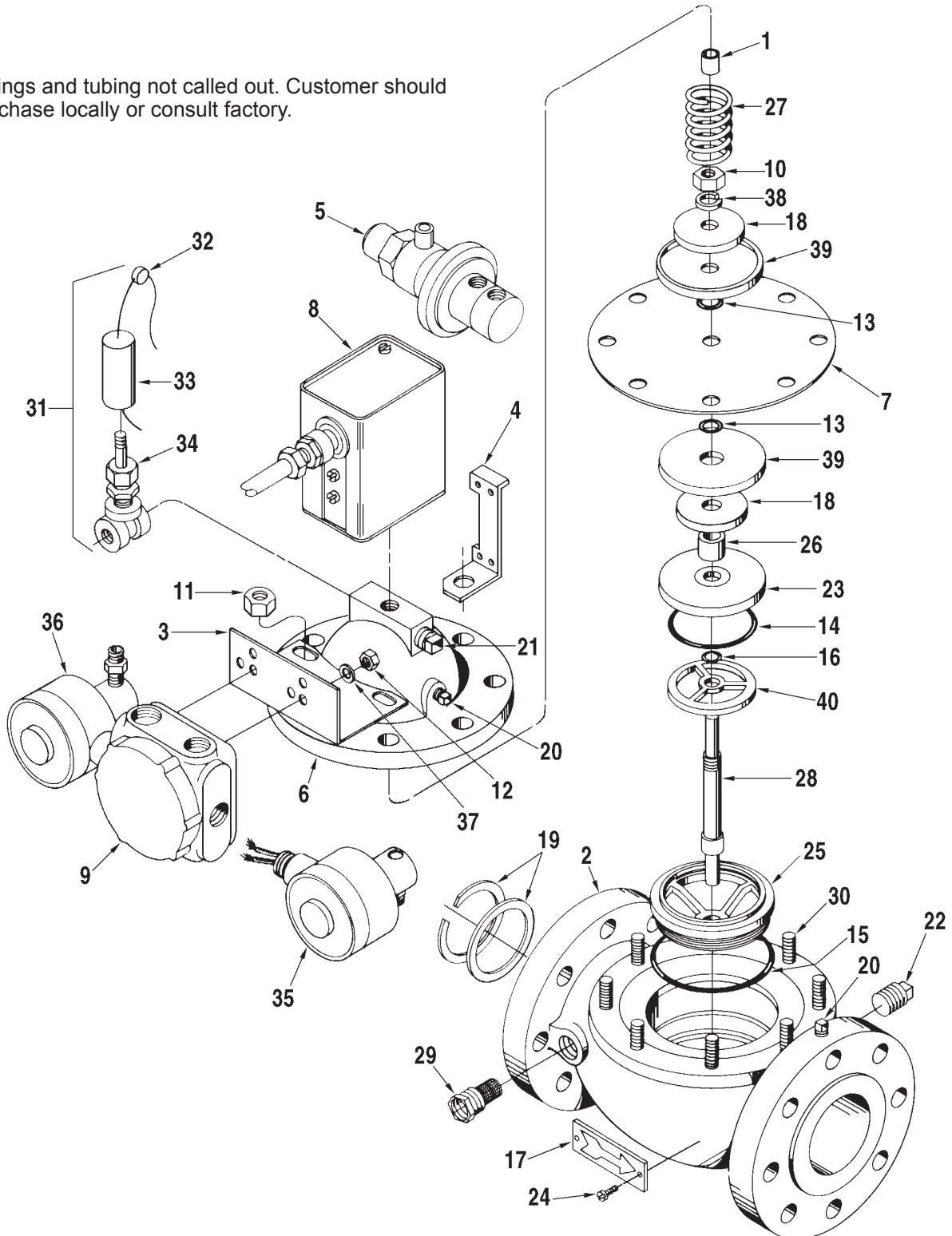


# Valve, Hydraulic Set-Stop, Model 296, 4 Inch

Bulletin PO03011 Issue/Rev. 0.1 (4/18)

Fittings and tubing not called out. Customer should purchase locally or consult factory.



Item		Description	Quantity	Part Number
1		Bearing, Cover	1	640688-019
2		Body:		
		Steel, Class 150	1	528666-091
		Steel, Class 300	1	528799-001
3		Bracket, Junction Box/Solenoids		528452-001
4		Bracket, Pilot Support	1	528453-001
5	@1	Control, Rate of Flow, Model 40A	1	See Note
6		Cover	1	528760-091
7	R+	Diaphragm:		
		Low Swell Buna	1	507399-009
		Viton	1	507399-002
		EPR	1	507399-005
		Gylon	1	507399-007
8	@2	Indicator, Position, Model 04A, with Self-Aligning:		
		Stem Assembly	1	See Note
9		Junction Box	1	528496-001
10		Nut, Stem, 5/8"-18	1	643756-402
11		Nut, Stud, 1/2"-13	8	002752-400
12		Nut, 5/16"-18	2	002876-400
13	+	O-Ring, Diaphragm:		
		Buna-N	2	640887-418
		Viton	2	640798-416
		EPR	2	641558-417
		PTFE <sup>1</sup>	2	645487-410
14	+	O-Ring, Retainer:		
		Low Swell Buna	1	507571-008
		Viton	1	507571-003
		EPR	1	507571-005
		PTFE <sup>1</sup>	1	507571-006
15	+	O-Ring, Seat:		
		Buna-N	1	640887-422
		Viton	1	640798-434
		EPR	1	641558-422
		PTFE <sup>1</sup>	1	645487-412
16	+	O-Ring, Stem:		
		Buna-N	1	640913-005
		Viton	1	641276-405
		EPR	1	641559-405
		PTFE <sup>1</sup>	1	645487-411
17		Plate, Arrow	1	508553-001
18		Plate, Back-Up	2	528659-001
19	@3	Plate, Orifice	1	See Note
20		Plug, 1/8" NPT	#	644522-401
21		Plug, 3/8" NPT	#	006023-002
22		Plug, 1/2" NPT	#	006505-002
23		Retainer, O-Ring	1	507705-004

1 Polytetrafluoroethylene (PTFE).

Item		Description	Quantity	Part Number
24		Screw, 3/16" Drive	2	640813-001
25		Seat:		
		Bronze	1	528406-001
		Stainless Steel	1	528406-002
26		Spacer	1	524198-004
27		Spring	1	525351-003
28		Stem	1	528658-001
29		Strainer, Model 09SC	1	528341-002
30		Stud	8	642362-407
31		Valve, Assembly, Complete:		
		3/8" NPT, Model 13, Carbon Steel	1	527065-001
		3/8" NPT, Model 13, Stainless Steel	1	527065-003
32	+	Seal, Lead, and Wire	1	001627-400
33		Shell	1	643706-401
34		Valve, Needle, Model 13 Only:		
		3/8" NPT Carbon Steel	1	643710-401
		3/8" NPT Stainless Steel	1	641109-403
35	@4	Valve, Solenoid, Model 30A	1	See Note
36	@4	Valve, Solenoid, Model 30B	1	See Note
37		Washer, Lock	2	002917-400
38		Washer, Lock, Spring	1	643164-406
39		Washer, Diaphragm	2	528660-007
40		Washer, O-Ring	1	528913-001
	+	Recommended stock.		
	#	Order quantity required		
	R	Indicated change since last revision.		
	@1	See form number <a href="#">PO03024</a> for components.		
	@2	See form number <a href="#">PO03002</a> for components.		
	@3	Contact Customer Service for ordering instructions.		
	@4	See form number <a href="#">PO03025</a> for ordering instructions.		

The specifications contained herein are subject to change without notice and any user of said specifications should verify from the manufacturer that the specifications are currently in effect. Otherwise, the manufacturer assumes no responsibility for the use of specifications which may have been changed and are no longer in effect.

Contact information is subject to change. For the most current contact information, visit our website at [TechnipFMC.com](http://TechnipFMC.com) and click on the "Contact Us" link.

**TechnipFMC.com**

© TechnipFMC 2018 All rights reserved. PO03011 Issue/Rev. 0.1 (4/18)

TechnipFMC  
FMC Technologies  
Measurement Solutions, Inc.  
500 North Sam Houston Parkway West,  
Suite 100  
Houston, Texas 77067 USA  
P: +1 281.260.2190

USA Operation  
1602 Wagner Avenue  
Erie, Pennsylvania 16510 USA  
P: +1 814.898.5000

Germany Operation  
Smith Meter GmbH  
Regentstrasse 1  
25474 Ellerbek, Germany  
P: +49 4101 304.0