

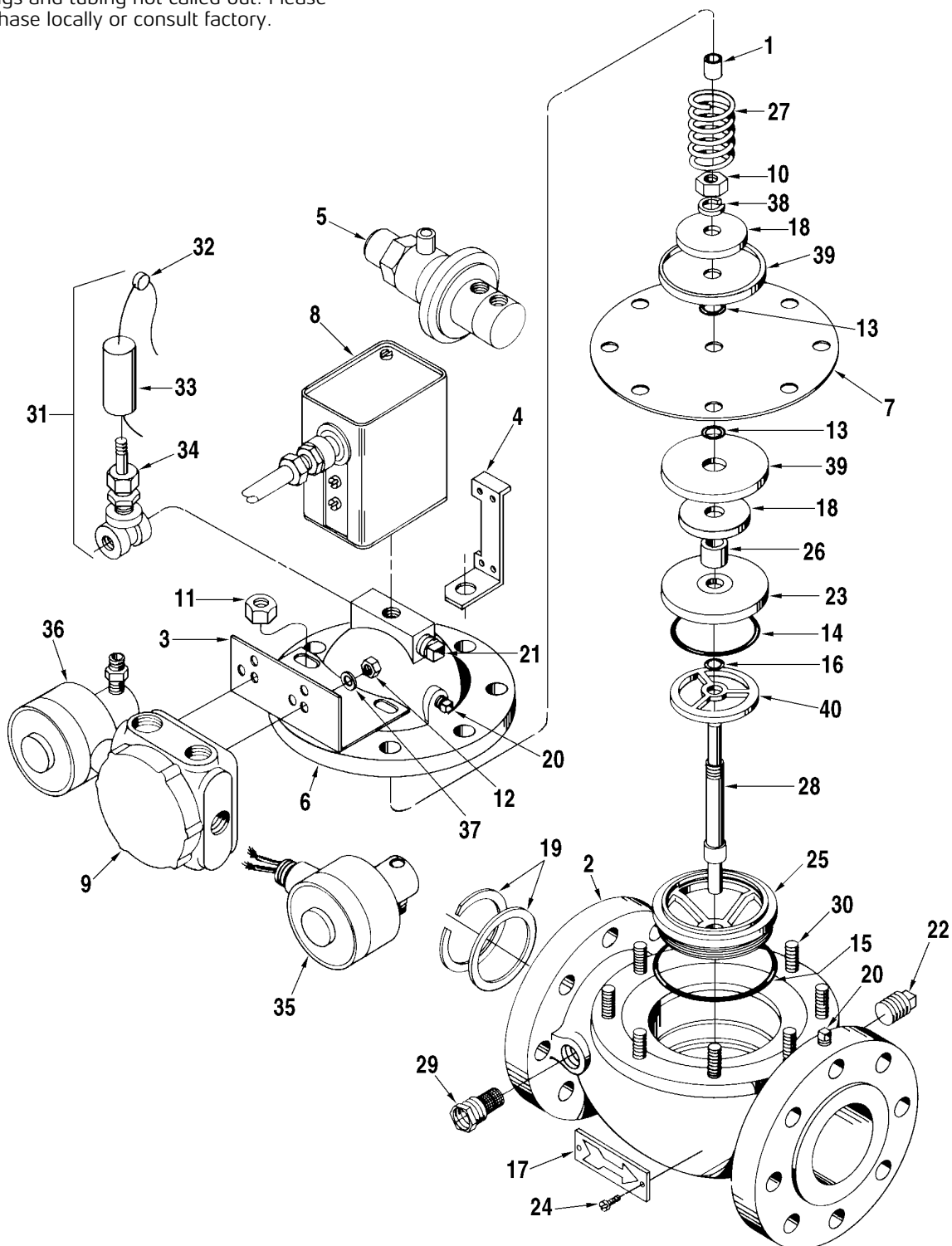
Valve, Hydraulic Set-Stop, Model 296, 6-Inch

Bulletin P003012 Issue/Rev. 0.0 (9/15)

FMC Technologies

We put you first.
And keep you ahead.

Fittings and tubing not called out. Please purchase locally or consult factory.



Item		Description	Quantity	Part Number
1		Bearing, Cover:		
		Bronze	1	640688-021
		Stainless Steel	1	526389-007
		Steel	1	524262-007
		Ni-Resist -PTFE ¹	1	529675-004
2		Body:		
	R	Class 150- Steel	1	528705-001
	R	Class 300- Steel	1	528801-001
3		Bracket, Junction Box/Solenoids	1	528452-001
4		Bracket, Pilot Support	1	528453-001
5		Control, Rate of Flow, Model 42A	1	See Note 1
6		Cover:		
	R	Standard- Steel	1	528765-001
	R	PTFE ¹ - Steel (Includes Bearing)	1	528765-004
7	+R	Diaphragm:		
		Buna-N	1	507400-001
		Low Swell Buna	1	507400-009
		Viton	1	507400-002
8		Indicator, Position, Model 04A, with Self-Aligning Stem Assembly	1	See Note 2
9		Junction Box	1	528497-001
10		Nut, Stem, 7/8"-14	1	643756-403
11		Nut, Stud, 5/8"-11	12	642138-405
12		Nut, 5/16"-18	2	002876-400
13	+R	O-Ring, Diaphragm:		
		Buna-N	2	640887-009
		Viton	2	640798-420
		PTFE ¹	2	645487-418
14	+R	O-Ring, Retainer:		
		Low Swell Buna	1	507573-008
		Viton	1	507573-003
		PTFE ¹	1	507573-005
15	+R	O-Ring, Seat:		
		Buna-N	1	641136-403
		Viton	1	643313-401
		PTFE ¹	1	645487-419
16	+R	O-Ring, Stem:		
		Buna-N	1	640887-009
		Viton	1	640798-420
		PTFE ¹	1	645487-418
17		Plate, Arrow	1	508553-001
18		Plate, Back-Up	2	528847-001
19		Plate, Orifice	1	See Note 3
20	R	Plug, Pipe, 1/8" NPT	#	644522-401
21	R	Plug, Pipe, 1/2" NPT	#	006505-002
22	R	Plug, Pipe, 3/4" NPT	#	006878-002

Item		Description	Quantity	Part Number
23		Retainer, O-Ring:		
	R	Standard- Ductile Iron	1	524174-004
	R	PTFE ¹ - Nickel Coated Ductile Iron	1	524174-005
24		Screw, 3/16" Drive	2	640813-001
25		Seat:		
		Bronze	1	528380-001
		Stainless Steel	1	528380-101
		Ni-Resist - PTFE ¹	1	528380-005
26		Spacer:		
	R	Standard- Carbon Steel	1	528845-001
	R	PTFE ¹ , Seawater Valve- Stainless Steel	1	528845-004
27	R	Spring, Stainless Steel	1	525355-001
28	R	Stem, Stainless Steel	1	528844-001
29		Strainer, Model 09SC	1	528342-002
30		Stud:		
	R	Standard- 5/8"- 11x2-1/2"	12	642363-405
	R	PTFE ¹ - 5/8"- 11x2-1/2"	10	643824-407
	R	PTFE ¹ - 5/8"- 11x3-1/2	2	643823-408
31		Valve, Needle, Model 13	1	527065-001
32	+	Seal, Lead, and Wire	1	001627-400
33		Shell	1	643706-401
34		Valve	1	643710-401
35		Valve, Solenoid, Model 30A	1	See Note 4
36		Valve, Solenoid, Model 30B	1	See Note 4
37		Washer, Lock	2	002917-400
38		Washer, Lock, Spring	1	643164-407
39		Washer, Diaphragm:		
	R	Standard- Carbon Steel	2	528848-006
	R	PTFE ¹ - Stainless Steel	2	528848-005
40		Washer, O-Ring		
	R	PTFE ¹ - Nickel Coated Ductile Iron	1	508040-004
	+	Recommended Stock.		
	#	Order Quantity Required.		
	R	Indicates changes since last revision.		
Note 1		See P003024 for components.		
Note 2		See P003002 for components.		
Note 3		Contact your FMC Technologies representative for ordering instructions.		
Note 4		See P003025 for ordering instructions		

1 Polytetrafluoroethylene (PTFE).



**We put you first.
And keep you ahead.**

Revisions included in P003012 Issue/Rev. 0.0 (9/15):

Replaced P1054.01X which has been made obsolete. Rebranding and reformatting Nov. 2014. Removal of several part numbers, indicated by "R".

The specifications contained herein are subject to change without notice and any user of said specifications should verify from the manufacturer that the specifications are currently in effect. Otherwise, the manufacturer assumes no responsibility for the use of specifications which may have been changed and are no longer in effect.

Contact information is subject to change. For the most current contact information, visit our website at www.fmctechnologies.com/measurementsolutions and click on the "Contact Us" link in the left-hand column.