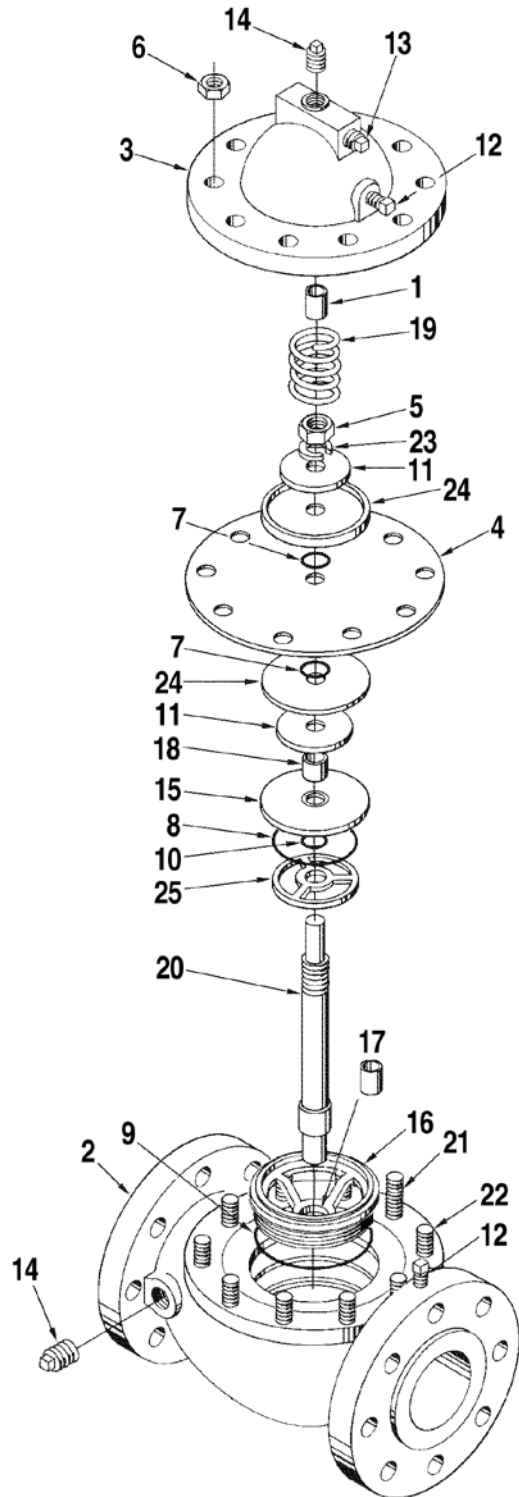


Valve, Hydraulic 200 Series, 4-Inch



Item	Description	Qty.	Part Number
1	† Bearing, Cover: Ni-Resist.....	1	529531-003
2	Body: Steel, Class 150#..... Steel, Class 300#.....	1 1	529971-001 529971-101
3	Cover: Steel.....	1	529972-001
4	+ Diaphragm: Current Design (10 Stud Holes): Low Swell Buna..... Buna..... Viton..... Previous Design (8 Stud Holes): Low Swell Buna..... Viton.....	 1 1 1 1 1 1	 507399-012 507399-013 507399-011 507399-009 507399-002
5	Nut, Stem, 5/8"-18, UNF-2B.....	1	643756-402
6	Nut, Stud: Current Design – 5/8-11", UNC-2B..... Previous Design – 1/2-13.....	12 10	006309-400 006415-400
7	+ O-Ring, Diaphragm: Buna-N..... Viton.....	2 2	640887-418 640798-416
8	+ O-Ring, Retainer: Low Swell Buna..... Viton.....	1 1	507571-008 507571-003
9	+ O-Ring, Seat: Buna-N..... Viton.....	1 1	640887-422 640798-434
10	+ O-Ring, Stem: Buna-N..... Viton.....	1 1	640913-005 641276-405
11	@1 Plate, Back-Up.....	2	528659-001
12	Pipe, Plug, 1/8" NPT.....	3	644522-401
13	Pipe, Plug, 3/8" NPT.....	2	003131-402
14	Pipe, Plug, 1/2" NPT.....	5	006505-002
15	Retainer, O-Ring.....	1	507705-004
16	Seat.....	1	528406-007
17	† Bearing, Seat – Ni-Resist.....	1	529531-008
18	Spacer.....	1	524198-004
19	Spring.....	1	525351-003
20	Stem.....	1	528658-001
21	Stud, Bracket: Current Design – 5/8-11 x 3"..... Previous Design – 1/2-13 x 2 3/4".....	2 2	643823-423 643823-409
22	Stud, Cover: Current Design – 5/8-11 x 2 1/4"..... Previous Design – 1/2-13 x 2".....	8 6	643823-422 643823-410
23	Washer, Lock Spring.....	1	643164-406
24	Washer, Diaphragm: Stainless Steel.....	2	528660-007
25	Washer, O-Ring: Ductile Iron (4" Val Washer).....	1	508038-003

+ Recommended stock.

R Indicates change since last revision.

@1 Backup Plate not used on 150# PTFE¹ Valve.

† Bearing being made to size.

¹ Polytetrafluoroethylene (PTFE).

Revisions in PO03018 Rev 0.0 (7/13):

PO03018 has replaced publication number P1041.08X which has been made obsolete.
Complete revision from last revision of P1041.08.

Editorial Change: Material reference in note @1 and page 2 changed to PTFE.

Headquarters:

500 North Sam Houston Parkway West,
Suite 100, Houston, TX 77067 USA
Phone: +1 (281) 260 2190
Fax: +1 (281) 260 2191

Operations:

Measurement Products and Equipment:
Ellerbek, Germany +49 (4101) 3040
Erie, PA USA +1 (814) 898 5000

Integrated Measurement Systems:

Corpus Christi, TX USA +1 (361) 289 3400
Kongsberg, Norway +47 (32) 286700

The specifications contained herein are subject to change without notice and any user of said specifications should verify from the manufacturer that the specifications are currently in effect. Otherwise, the manufacturer assumes no responsibility for the use of specifications which may have been changed and are no longer in effect.

Contact information is subject to change. For the most current contact information, visit our website at www.fmctechnologies.com/measurementsolutions and click on the "Contact Us" link in the left-hand column.

www.fmctechnologies.com/measurementsolutions