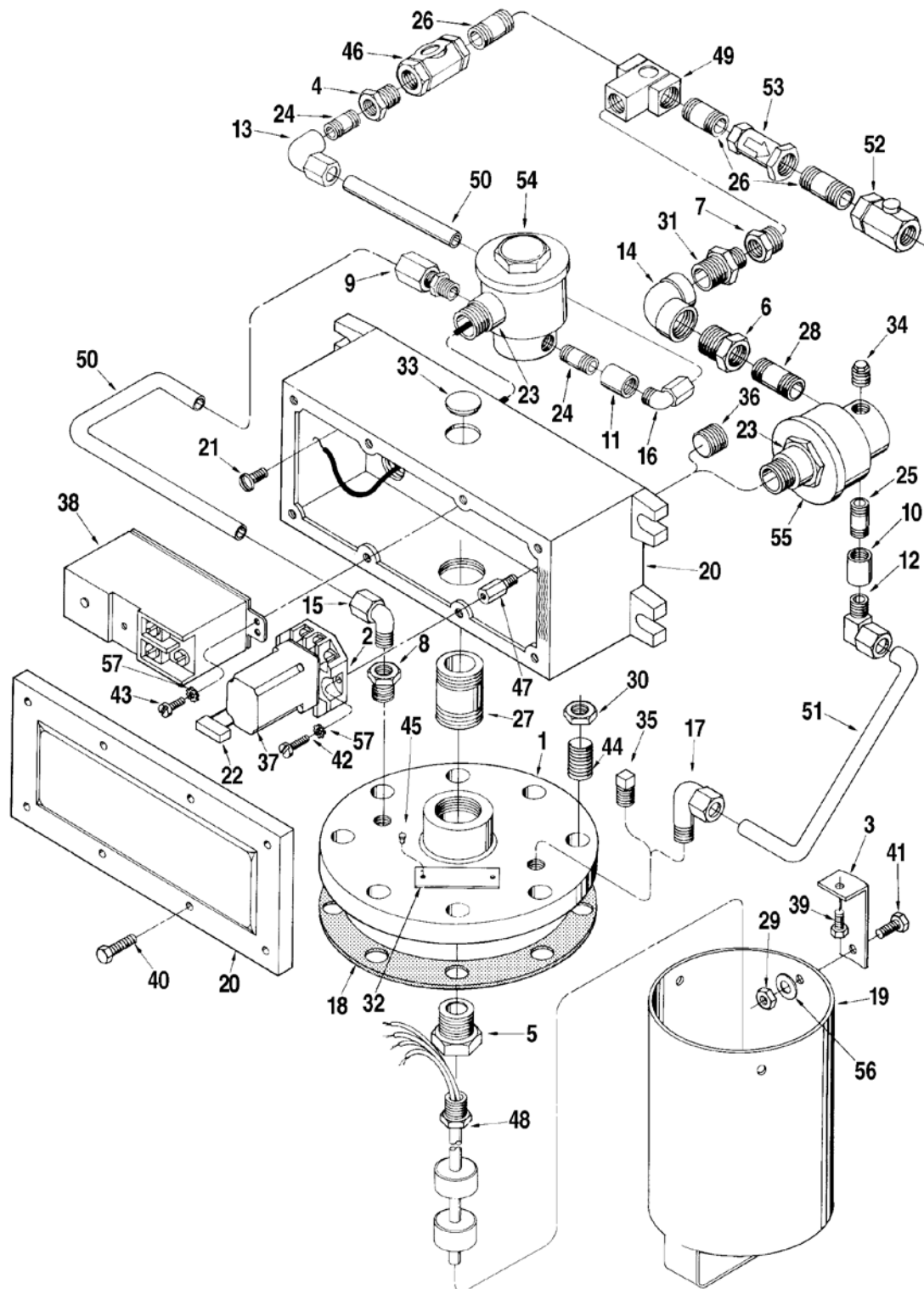


Eliminator, Air, Dual Electric, DE-1, DE-2, and VDE-1

Bulletin P003020 Issue/Rev. 0.0 (10/14)

FMCTechnologies

We put you first.
And keep you ahead.



| Item | Description | Quantity | Part Number | | |
|------|--|----------|-------------|---------------|------------|
| | | | Standard | High Capacity | VDE |
| 1 | Adapter: | | | | |
| | Standard | 1 | 550983-001 | 550983-001 | ----- |
| | 3" 150# ANSI Carbon Flange (AC Option, 4 Bolt) | 1 | 551611-001 | ----- | ----- |
| | 3" 150# ANSI Stainless Flange (AS Option, 4 Bolt) | 1 | 551611-002 | ----- | ----- |
| | 6" 150# ASME Steel Flange | 1 | ----- | ----- | 539691-001 |
| 2 | Base, Relay | 1 | 645164-401 | 645164-401 | 645164-401 |
| 3 | Bracket, Float Guard: | | | | |
| | Buna-N Switch Assembly | 3 | 538500-001 | 538500-001 | ----- |
| | Stainless Steel and LPG Switch Assembly and ANSI Flanges | 3 | 538500-002 | 538500-002 | 538500-002 |
| 4 | Bushing, 3/8 x 1/4" (DE-1 Only) | 1 | 641542-402 | ----- | ----- |
| 5 | Bushing, 1/2 x 1/8" | 1 | 641543-401 | 641543-401 | 641543-401 |
| 6 | Bushing, 3/8 x 1/8" | 1 | 641542-401 | 641542-401 | ----- |
| 7 | Bushing, 1/2 x 3/8" | 1 | ----- | 641543-403 | ----- |
| 8 | Bushing, 1/2 x 1/4" | 1 | 641543-402 | 641543-402 | ----- |
| 9 | Connector: | | | | |
| | Standard | 1 | 643385-404 | ----- | ----- |
| | High Capacity | 2 | ----- | 643385-409 | 643385-409 |
| 10 | Coupling (DE-2 Only) 1/8 NPT | 1 | 006879-400 | 006879-400 | ----- |
| 11 | Coupling (DE-2 Only) 1/4 NPT | 1 | 642255-402 | ----- | ----- |
| 12 | Elbow, 3/8 x 1" | 1 | 643386-403 | 643386-403 | ----- |
| 13 | Elbow: | | | | |
| | 3/8 x 3" | 1 | 643386-405 | ----- | ----- |
| | 1/2 x 1" | 1 | ----- | 643386-409 | ----- |
| 14 | Elbow, 3/8" NPT | 1 | 641547-403 | 641547-403 | ----- |
| 15 | Elbow: | | | | |
| | 3/8 x 1/4" | 1 | 643386-404 | ----- | ----- |
| | 1/2 x 1/2" | 1 | ----- | 645624-403 | 640053-002 |
| 16 | Elbow: | | | | |
| | 3/8 x 1/4" | 1 | 643386-404 | ----- | ----- |
| | 1/2 x 1" | 1 | ----- | 643386-409 | ----- |
| 17 | Elbow: | | | | |
| | 3/8 x 1/4" | 1 | 643386-404 | 643386-404 | ----- |
| 18 | + Gasket, Adapter: | | | | |
| | Standard | 1 | 503358-001 | 503358-001 | 010487-400 |
| | PTFE ¹ | 1 | 503358-002 | 503358-002 | ----- |
| | For Use with ANSI Flanges | 1 | 640714-001 | ----- | ----- |
| 19 | Guard, Float: | | | | |
| | Buna-N and Stainless Steel Switch Assembly | 1 | 502375-002 | 502375-003 | ----- |
| | LPG Switch Assembly | 1 | 551665-001 | ----- | ----- |
| | 3" 150# ANSI Carbon Flange | 1 | 551665-002 | ----- | ----- |
| | 3" 150# ANSI Stainless Flange | 1 | 551665-003 | ----- | ----- |
| | VDE-1 | 1 | ----- | ----- | 551665-005 |
| 20 | @1 Housing and Cover Assembly: | | | | |
| | 120 VAC and 240 VAC | 1 | 551057-001 | 551057-001 | 551057-001 |
| | 12 VDC and 24 VDC | 1 | 551057-002 | 551057-002 | 551057-002 |
| 21 | Screw, Ground | 1 | 640953-406 | 640953-406 | ----- |
| 22 | Network, RC (12 VDC and 24 VDC Models Only) | 2 | 645060-403 | 645060-403 | 645060-403 |
| 23 | R Nipple, 1/2 NPT x 1-1/8" | # | 060301-001 | 060301-001 | 009630-400 |

¹ PTFE: Polytetrafluoroethylene.

| Item | | Description | Quantity | Part Number | | |
|------|----|--|----------|-------------|------------|------------|
| 24 | | Nipple: | | | | |
| | | 1/2 NPT x 1-1/8" | # | ----- | 060301-001 | 060301-001 |
| | | 1/4 NPT x 7/8" | # | 641112-401 | ----- | ----- |
| 25 | | Nipple, 1/8 x 3/4" | 1 | 641111-401 | 641111-401 | ----- |
| 26 | | Nipple: | | | | |
| | | 3/8 NPT x 1" | # | 641113-401 | ----- | ----- |
| | | 1/2 NPT x 1-1/8" | # | ----- | 060301-001 | ----- |
| 27 | | Nipple: | | | | |
| | | 1/2 NPT x 2-1/2" | 1 | 645177-401 | 645177-401 | ----- |
| | | 1/2 NPT x 4-1/2" | 1 | ----- | ----- | 645177-405 |
| 28 | | Nipple (DE-2 Only), 1/8 NPT x 1-1/2" | 1 | 006878-400 | 006878-400 | ----- |
| 29 | | Nut, #10-32 | 3 | 640083-003 | 640083-003 | 640083-003 |
| 30 | | Nut: | | | | |
| | | 1/2-13 | 8 | 006415-400 | 006415-400 | ----- |
| | | 3/4-10 | 16 | ----- | ----- | 006258-400 |
| 31 | | Orifice, Fixed, Model 13F (DE-2 Only) | 1 | 529600-001 | 529600-001 | ----- |
| 32 | | Plate, Name | 1 | 539969-001 | 539969-001 | 539969-001 |
| 33 | | Plug, Cap, 1/2" | 1 | 641770-404 | 641770-404 | 641770-404 |
| 34 | | Plug, Pipe, 1/8" NPT | 1 | 644522-401 | 644522-401 | ----- |
| 35 | | Plug, Pipe, 1/4" NPT (DE-1 Only) | 1 | 002407-402 | 002407-002 | ----- |
| 36 | R | Plug, Pipe, 1/2" NPT (DE-1 and VDE-1 Only) | 1 | 006105-002 | 006105-002 | 006105-002 |
| 37 | + | Relay: | | | | |
| | | 20 VAC (Illustrated) | 1 | 645427-401 | 645427-401 | 645427-401 |
| | | 12 VDC | 1 | 645427-402 | 645427-402 | 645427-402 |
| | | 24 VDC | 1 | 645427-403 | 645427-403 | 645427-403 |
| | | 240 VAC | 1 | 645427-404 | 645427-404 | 645427-404 |
| 38 | | Relay, Intrinsicly Safe: | | | | |
| | | 120 VAC | 1 | 645168-401 | 645168-401 | 645168-401 |
| | | 12 VDC and 24 VDC | 2 | 645168-402 | 645168-402 | 645168-402 |
| | | 240 VAC | 1 | 645168-403 | 645168-403 | 645168-403 |
| 39 | | Screw, #10-32 x 3/8" | 3 | 640504-402 | 640504-402 | 640504-402 |
| 40 | | Screw, 1/4-20 x 1" | 8 | 643263-401 | 643263-401 | ----- |
| 41 | | Screw, #10-32 x 1/2" | 3 | 644153-402 | 644153-402 | 644153-402 |
| 42 | | Screw, #8-32 x 1/2" | 2 | 643173-402 | 643173-402 | 643173-402 |
| 43 | | Screw, #8-32 x 3/8" | # | 643173-403 | 643173-403 | 643173-403 |
| 44 | + | Stud: | | | | |
| | | 1/2-13 x 1-7/8" | 8 | 643823-410 | 643823-410 | ----- |
| | | 3/4-10 x 4-3/4" | 8 | ----- | ----- | 642354-407 |
| 45 | | Screw, Drive | 2 | 006869-002 | 006869-002 | 006869-002 |
| 46 | | Sight Glass: | | | | |
| | | LPG | 1 | 645129-403 | ----- | ----- |
| | | All Others | 1 | 645129-401 | 645129-402 | 645129-404 |
| 47 | @2 | Standoff | # | 644732-420 | 644732-420 | 644732-420 |
| 48 | + | Switch and Float Assembly: | | | | |
| | | Buna-N | 1 | 645132-401 | 645132-401 | ----- |
| | | Stainless Steel | 1 | 645132-403 | 645132-403 | 646088-402 |
| | | Stainless Steel - 720 psi | 1 | ----- | 645132-402 | ----- |
| | | LPG | 1 | 645132-404 | ----- | ----- |
| | | PTFE ¹ | 1 | ----- | ----- | 646089-402 |
| 49 | | Tee, Pipe | 1 | 641544-403 | 643393-404 | ----- |
| 50 | R | Tubing, 3/8" Std. and 1/2" High Capacity | # | 641108-403 | 641108-404 | 641108-404 |
| 51 | R | Tubing, 3/8" | # | 641108-403 | 641108-403 | ----- |
| 52 | | Valve, Ball, Model 03A | 1 | 529313-002 | 529313-003 | 529313-003 |

1 PTFE: Polytetrafluoroethylene.



**We put you first.
And keep you ahead.**

| Item | Description | Quantity | Part Number | | |
|------|---|---|-------------|------------|------------|
| 53 | Valve, Check, Model 10B | 1 | 644766-412 | 644766-414 | 644766-414 |
| 54 | Valve, Solenoid, Model 30A | 1 | See Note 3 | See Note 3 | See Note 3 |
| 55 | R Valve, Solenoid, Model 31 (DE-2 Only) | 1 | See Note 3 | See Note 3 | ----- |
| 56 | Washer | 3 | 060554-001 | 060554-001 | 060554-001 |
| 57 | Washer, Lock | # | 640959-401 | 640959-401 | 640959-401 |
| | | | | | |
| | + Recommended Stock | | | | |
| | # Order quantity required | | | | |
| | R Indicates changes since last revision | | | | |
| | | | | | |
| | @1 | Apply a small amount of grease on mating surfaces before mounting cover | | | |
| | @2 | Apply a small amount of Loctite to standoffs before installing in housing | | | |
| | Note 3: See Form No. P003025 for ordering instructions. Please include catalog and serial numbers of solenoid along with electrical requirements. | | | | |

Revisions included in P003020 Issue/Rev. 0.0 (10/14):

P003020 has replaced publication number P0100.05X which has been made obsolete. P003020 is a total revision since the last revision of P0100.05.

The specifications contained herein are subject to change without notice and any user of said specifications should verify from the manufacturer that the specifications are currently in effect. Otherwise, the manufacturer assumes no responsibility for the use of specifications which may have been changed and are no longer in effect.

Contact information is subject to change. For the most current contact information, visit our website at www.fmctechnologies.com/measurementsolutions and click on the "Contact Us" link in the left-hand column.