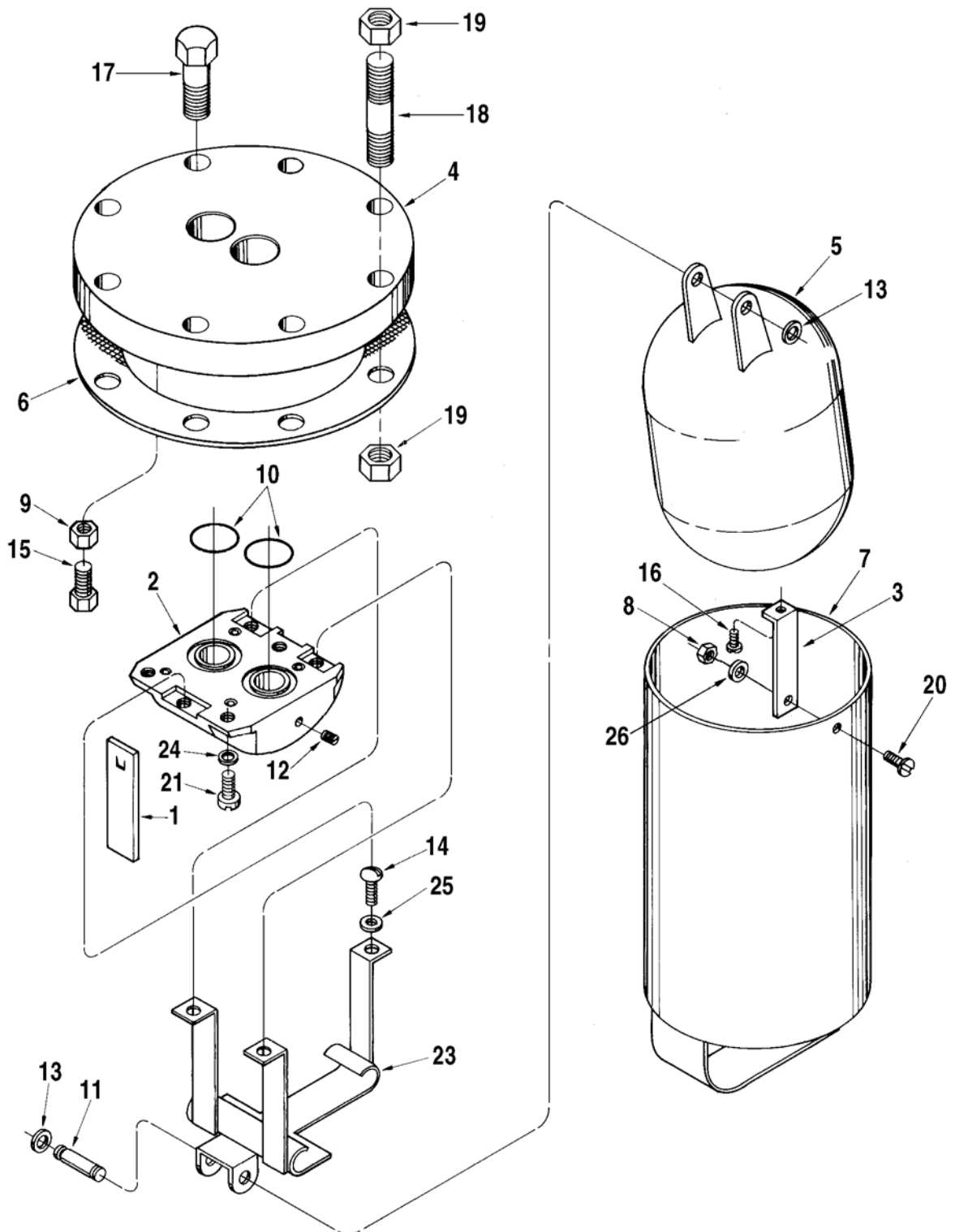


Eliminator, Air, R.B. Head Petro-gard

Bulletin P003023 Issue/Rev. 0.1 (2/15)

FMCTechnologies

We put you first.
And keep you ahead.



Item		Description	Qty.	Part Number	Part Number
				VAR	AR
1		Band, Bias	1	538170-001	538170-001
2	+	Block, Seal:			
		Buna	1	539742-001	539742-001
	R	Viton	1	539742-002	539742-002
3		Bracket	3	538500-001	538500-001
4		Cover	1	539689-001	539688-001
5	+	Float	1	538428-001	538428-001
6	+	Gasket, Cover:	1	010487-400	503358-001
7		Guard, Float	1	502374-001	502374-001
8		Nut, #10-32 Nylok	3	640083-003	640083-003
9		Nut	1	002068-400	002068-400
10	R +	O-Ring:			
		Buna	2	640829-021	640829-021
	R	Viton	2	641276-423	641276-423
11		Pin, Float	1	538171-001	538171-001
12		Plug	1	642463-404	642463-404
13		Ring, Retaining	2	640958-402	640958-402
14	@1	Screw, #8-32 x 1/4" Self-Tapping	3	644367-402	644367-402
15		Screw 1/4-20 x 5/8"	1	004859-401	004859-401
16		Screw, #10-32 x 3/8" Nylok	3	640504-402	640504-402
17	R	Screw, 1/2-13 x 1-1/2"	8	-----	645157-401
18		Screw, #10-3/4 x 4-3/4"	8	642354-407	-----
19		Nut, #10-3/4", Hex Heavy	16	006258-400	-----
20	R	Screw, #10-32 x 1/2"	3	644153-402	644153-402
21		Screw, 1/4-20 x 1/2"	3	006775-002	006775-002
22	R *	Screw, U-Type x 3/16"	4	006220-002	006869-002
23		Spring, Rocker	1	550002-001	550002-001
24		Washer, Locking	3	005907-800	005907-800
25		Washer, Locking	3	009831-400	009831-400
26		Washer, Flat	3	060554-001	060554-001

+ Recommended Stock

* Not Shown

@1 Self-tapping screws will work on tapped and untapped blocks

R Indicates change since last revision

Description		Part Number	
"B" to "RB" Head Field Conversion			
<p>Conversion from "B" head to "RB" head is possible on tank-type eliminators and deaerators only. This conversion requires the desired "RB" head, along with eight (8) spacer washers (PN 538701-001) and eight (8) bolts (PN 002050-401).</p>			
General Assembly			
	R	RB Head, Buna, AR	539680-001
	R	RB Head, Viton, AR	539680-002
	R	RB Head, Buna, VAR	538442-001
	R	RB Head, Viton, VAR	538442-002



**We put you first.
And keep you ahead.**

The specifications contained herein are subject to change without notice and any user of said specifications should verify from the manufacturer that the specifications are currently in effect. Otherwise, the manufacturer assumes no responsibility for the use of specifications which may have been changed and are no longer in effect.
Contact information is subject to change. For the most current contact information, visit our website at www.fmctechnologies.com/measurementsolutions and click on the "Contact Us" link in the left-hand column.

www.fmctechnologies.com/measurementsolutions

© 2015 FMC Technologies. All rights reserved. P003023 Issue/Rev. 0.1 (2/15)

FMC Technologies
Measurement Solutions, Inc.
500 North Sam Houston Parkway West,
Suite 100
Houston, Texas 77067 USA
P:+1 281.260.2190

USA Operation
1602 Wagner Avenue
Erie, Pennsylvania 16510 USA
P:+1 814.898.5000

Germany Operation
Smith Meter GmbH
Regentstrasse 1
25474 Ellerbek, Germany
P:+49 4101 304.0