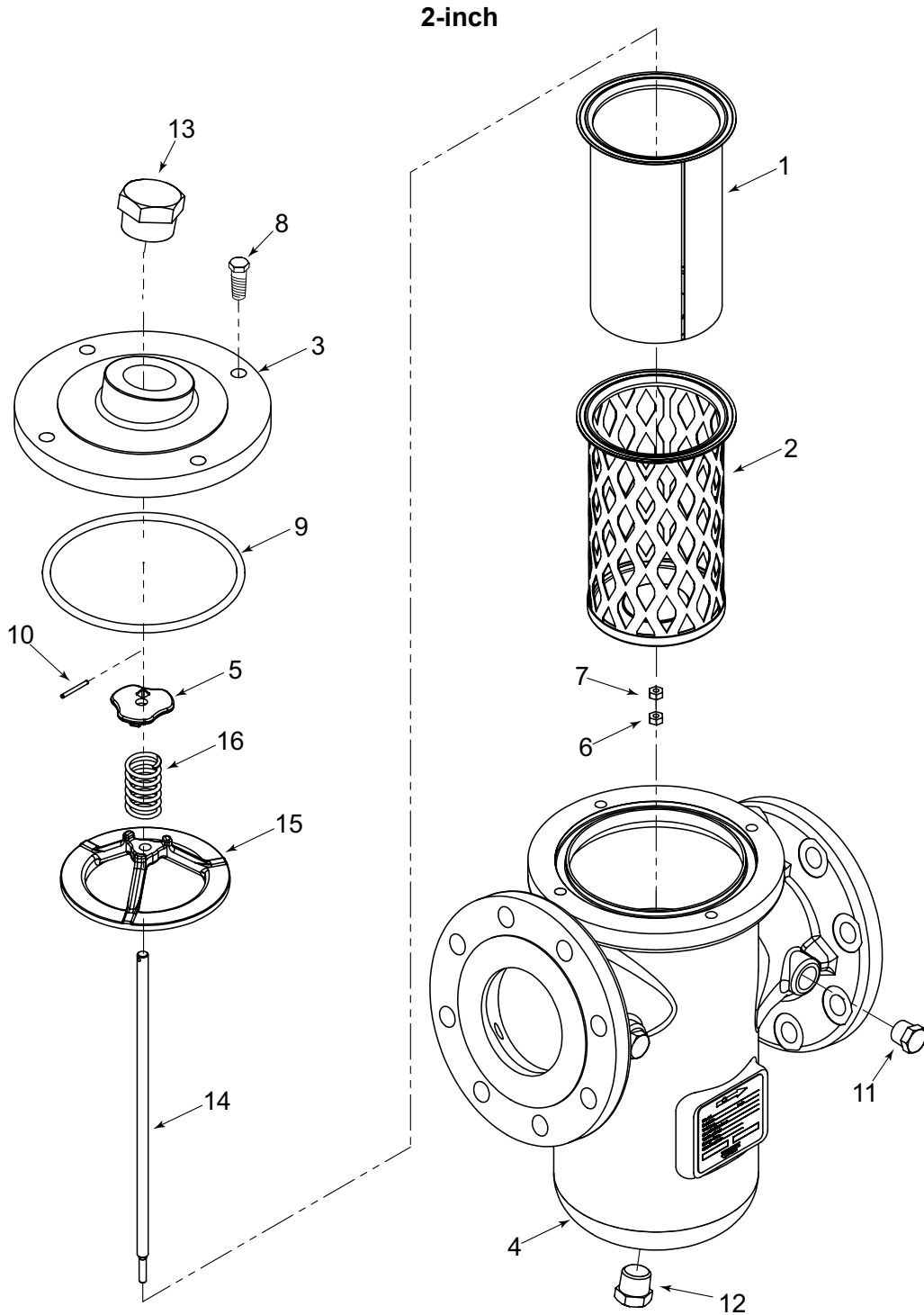


# Strainer, 2, 3, and 4-inch, E Type

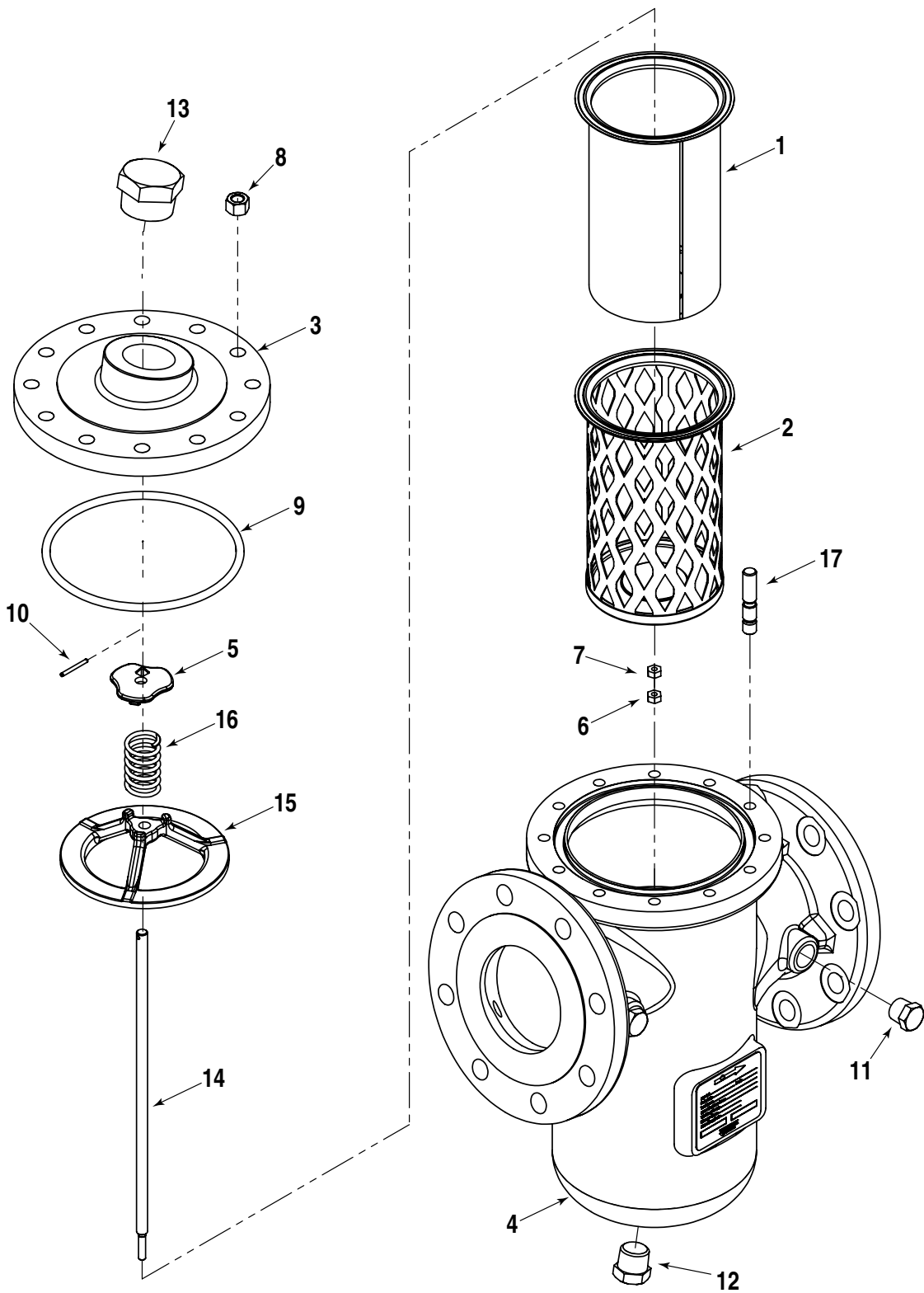
Bulletin PO03028 Issue/Rev. 0.1 (1/17)



## 2-inch

Item	Description	Quantity	Part Number
1	Basket, Inner:		
	4 Mesh	1	514864-004
	10 Mesh	1	514864-010
	20 Mesh	1	514864-020
	40 Mesh	1	514864-040
	60 Mesh	1	514864-060
	80 Mesh	1	514864-080
	100 Mesh	1	514864-100
2	Basket, Outer, Expanded Metal	1	514860-005
3	Cover, Cast Steel	1	Note 1
4	Housing	1	Note 1
5	Loading Washer	1	514872-001
6	Nut, #10 - 24	1	643117-404
7	Nut, #10 - 24	1	002040-400
8	Screw, M12	4	670506-435
9	O-Ring:		
	Buna	1	641471-403
	Viton	1	640833-406
10	Pin	1	065368-001
11	Plug, 1/2" - 3000 lbs	2	670972-404
12	Plug, 3/4" - 3000 lbs	1	670972-401
13	Plug, 1-1/2" - 3000 lbs	1	670972-406
14	Rod	1	514871-001
15	Spider	1	514873-001
16	Spring, Compression	1	514874-001
	Note 1: Cannot be ordered as a spare part		

3 and 4-inch



### 3 and 4-inch

Item		Description	Quantity	Part Number
1	@1	Basket, Inner:		
		4 Mesh	1	514892-004
		10 Mesh	1	514892-010
		20 Mesh	1	514892-020
		40 Mesh	1	514892-040
		60 Mesh	1	514892-060
		80 Mesh	1	514892-080
		100 Mesh	1	514892-100
2	@1	Basket, Outer, Expanded Metal	1	514888-005
3		Cover, Cast Steel	1	Note 1
4		Housing	1	Note 1
5		Loading Washer	1	514900-001
6		Nut, 1/4 - 20	1	642210-404
7		Nut, 1/4 - 20	1	002068-400
8		Nut, M12	12	670197-407
9		O-Ring:		
		Buna	1	641481-402
		Viton	1	640895-406
10		Pin	1	642434-405
11		Plug, 1/2" - 3000 lbs	2	670972-404
12		Plug, 3/4" - 3000 lbs	1	670972-401
13		Plug, 1-1/2" - 3000 lbs	1	670972-406
14		Rod	1	514899-001
15		Spider	1	514901-001
16		Spring, Compression	1	514902-002
17		Stud, M12 x 35	12	670019-451
Note 1: Cannot be ordered as a spare part				
R: Indicates change since last revision of previous parts lists publication.				
@1	If utilizing the triple basket, replacement parts will consist of the following:			
	40 mesh standard Inner basket			514892-040
	6 mesh outer basket			P8000014927
	10 mesh special liner			553441-002

**Revisions included in PO03028 Issue/Rev. 0.1 (1/17):**

2" added. Total revision.

The specifications contained herein are subject to change without notice and any user of said specifications should verify from the manufacturer that the specifications are currently in effect. Otherwise, the manufacturer assumes no responsibility for the use of specifications which may have been changed and are no longer in effect.

Contact information is subject to change. For the most current contact information, visit our website at [TechnipFMC.com](http://TechnipFMC.com) and click on the "Contact Us" link.