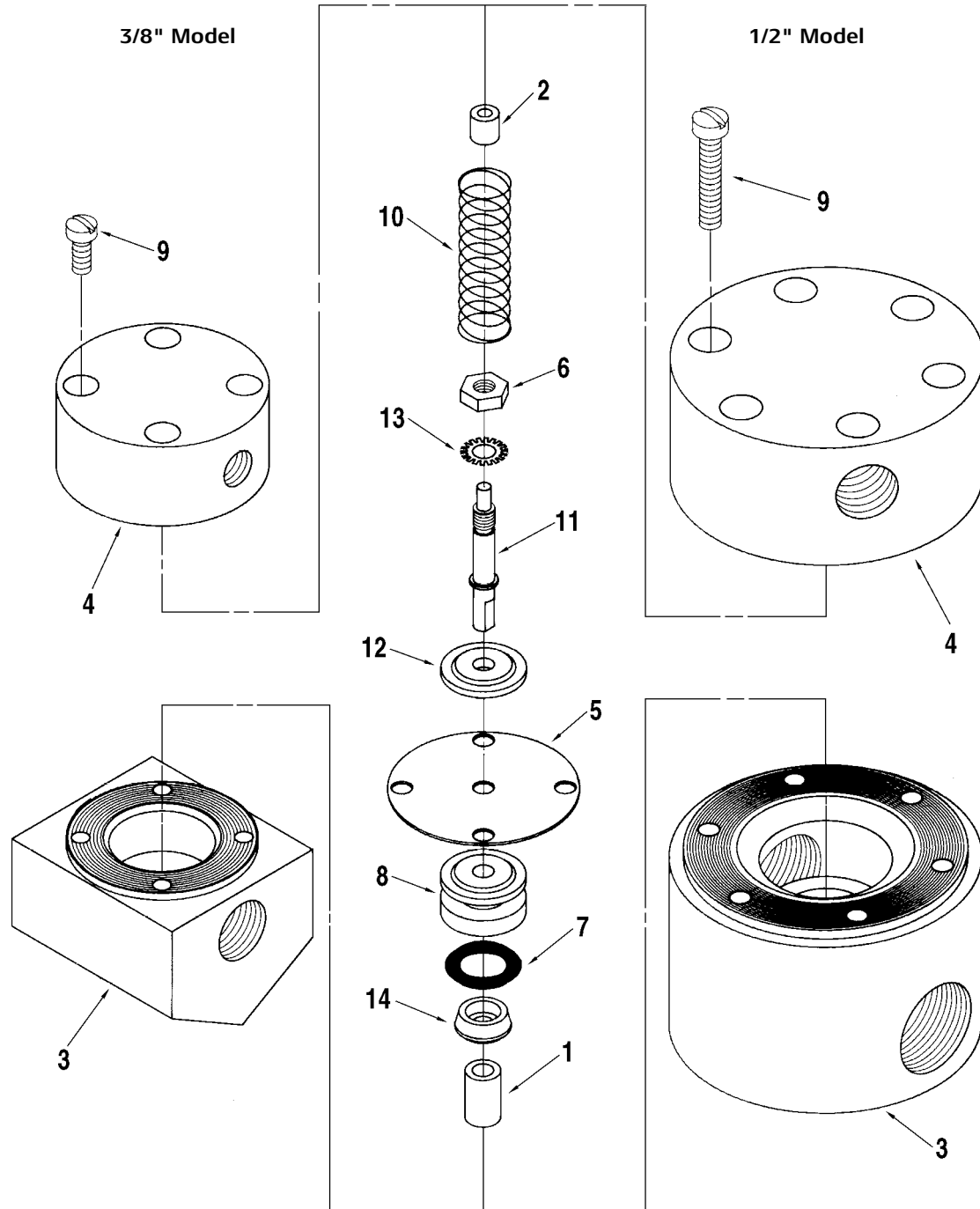


Amplifier, Model 29

Bulletin P003029 Issue/Rev. 0.0 (10/15)

FMCTechnologies

We put you first.
And keep you ahead.





**We put you first.
And keep you ahead.**

Item		Description	Quantity	Part Number	
				3/8 Inch	1/2 Inch
1		Bearing, Body	1	642228-444	640688-006
2		Bearing, Cover	1	524262-029	640688-005
3	R	Body	1	Note 1	
4	R	Cover	1	Note 1	
5	+	Diaphragm:			
		Buna-N	1	507389-001	507383-001
		Viton	1	507389-002	507383-002
6		Nut	1	001723-400	643756-404
7	+	O-Ring:			
		Buna-N	1	507565-001	507563-001
		Viton	1	507565-002	507563-002
8		Retainer	1	507690-002	528857-001
9		Screw:			
		#8-32 x 3/8"	4	006293-002	-----
		#10-32 x 1"	6	-----	006150-002
10		Spring	1	507752-001	507746-001
11		Stem	1	507862-001	507853-001
12		Washer, Diaphragm	1	507989-002	507985-003
13		Washer, Lock	1	005910-800	640959-402
14		Washer, O-Ring	1	528955-001	528959-001
	+	Recommended stock.			
		3/8" Model for use on 3" through 6" valves			
		1/2" Model for use on 8" through 12" valves			
Note 1		Not available as spare part.			

Revisions included in P003029 Issue/Rev. 0.0 (10/15):

Removal of several part numbers for item 2 and 3; Addition of Note 1. Replaced P1002.10X which has been made obsolete. Rebranding and reformatting Nov. 2014.

The specifications contained herein are subject to change without notice and any user of said specifications should verify from the manufacturer that the specifications are currently in effect. Otherwise, the manufacturer assumes no responsibility for the use of specifications which may have been changed and are no longer in effect.

Contact information is subject to change. For the most current contact information, visit our website at www.fmctechnologies.com/measurementsolutions and click on the "Contact Us" link in the left-hand column.