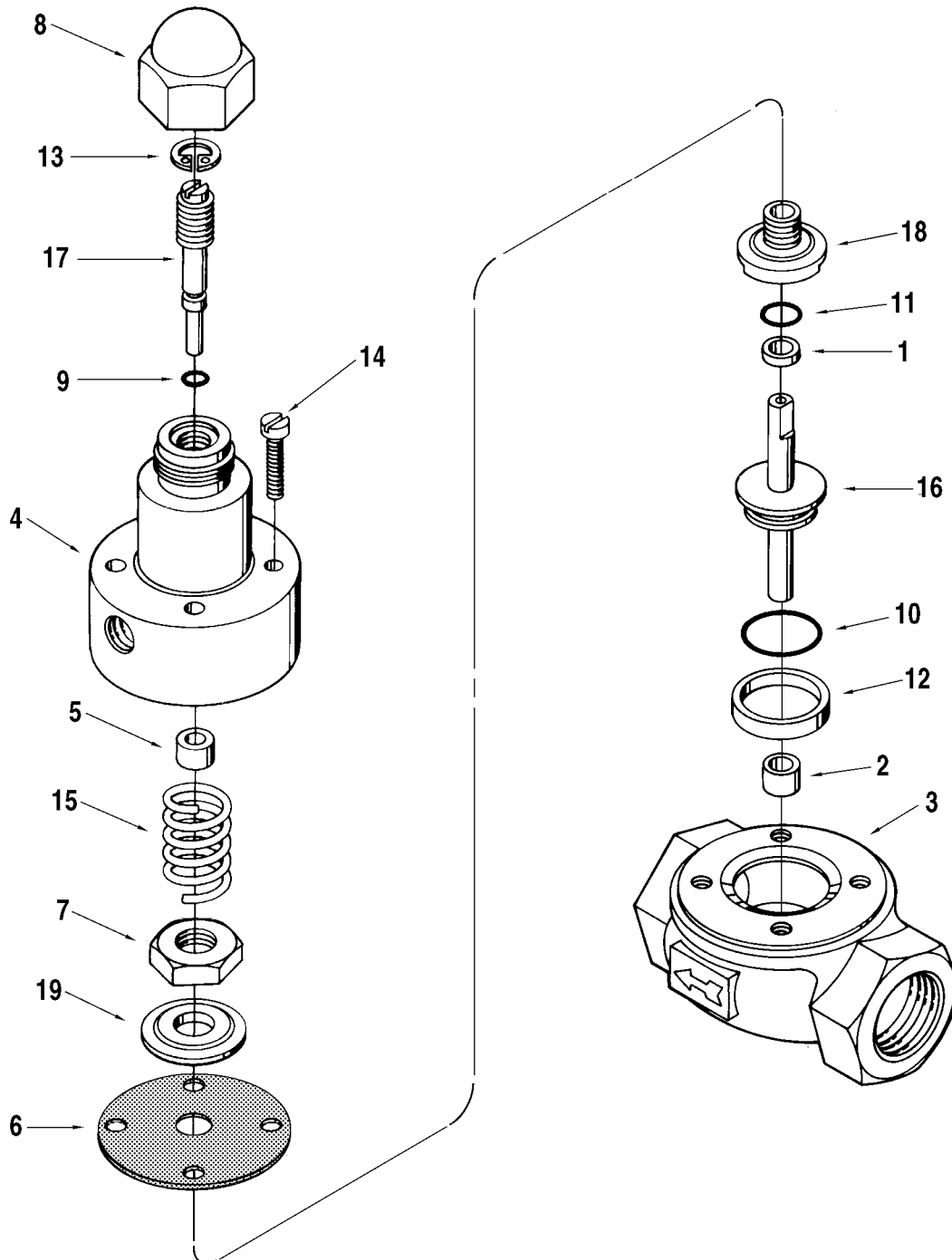


Check Pilot, Diaphragm Model 12

Bulletin P003030 Issue/Rev. 0.0 (5/15)

FMCTechnologies

We put you first.
And keep you ahead.





**We put you first.
And keep you ahead.**

Item		Description	Quantity	Part Number
1	R	Bearing, Retainer Control, Steel	1	507225-002
2	R	Bearing, Sleeve, Steel	1	642228-444
3	R	Body, Steel	1	526329-001
4		Cover Assembly	1	528441-001
5		Bearing	1	640688-005
6	+R	Diaphragm:		
		Buna-N .025" Thickness	1	523777-001
		Viton .020" Thickness	1	523777-002
7		Nut, Stainless Steel	1	507540-002
8		Nut, Cap 5/8-18, Hex, Steel	1	641299-401
9	+R	O-Ring, Adjusting Stem:		
		Buna-N	1	640887-006
		Viton	1	640798-406
10	+R	O-Ring, Seat:		
		Buna-N	1	507565-001
		Viton	1	507565-003
11	+R	O-Ring, Stem:		
		Buna-N	1	640887-007
		Viton	1	640798-408
12	R	Retainer, O-Ring, Steel	1	523774-002
13		Ring, Retaining	1	640822-404
14		Screw, #8-32 x 7/8" Fill HD Slot	4	006712-002
15		Spring	1	507752-001
16		Stem	1	523773-001
17		Stem, Adjusting	1	523771-001
18		Washer, Diaphragm, Lower	1	523775-001
19	R	Washer, Diaphragm, Upper, Steel	1	523776-002
	+	Recommended stock.		
	R	Indicates change since last revision.		

Revisions included in P003030 Issue/Rev. 0.0 (5/15):

Replaced P1006.02X which has been made obsolete. Rebranding and reformatting Nov. 2014. Removal of several part numbers, indicated by "R"; Addition of Note 1.

The specifications contained herein are subject to change without notice and any user of said specifications should verify from the manufacturer that the specifications are currently in effect. Otherwise, the manufacturer assumes no responsibility for the use of specifications which may have been changed and are no longer in effect.

Contact information is subject to change. For the most current contact information, visit our website at www.fmctechnologies.com/measurementsolutions and click on the "Contact Us" link in the left-hand column.