

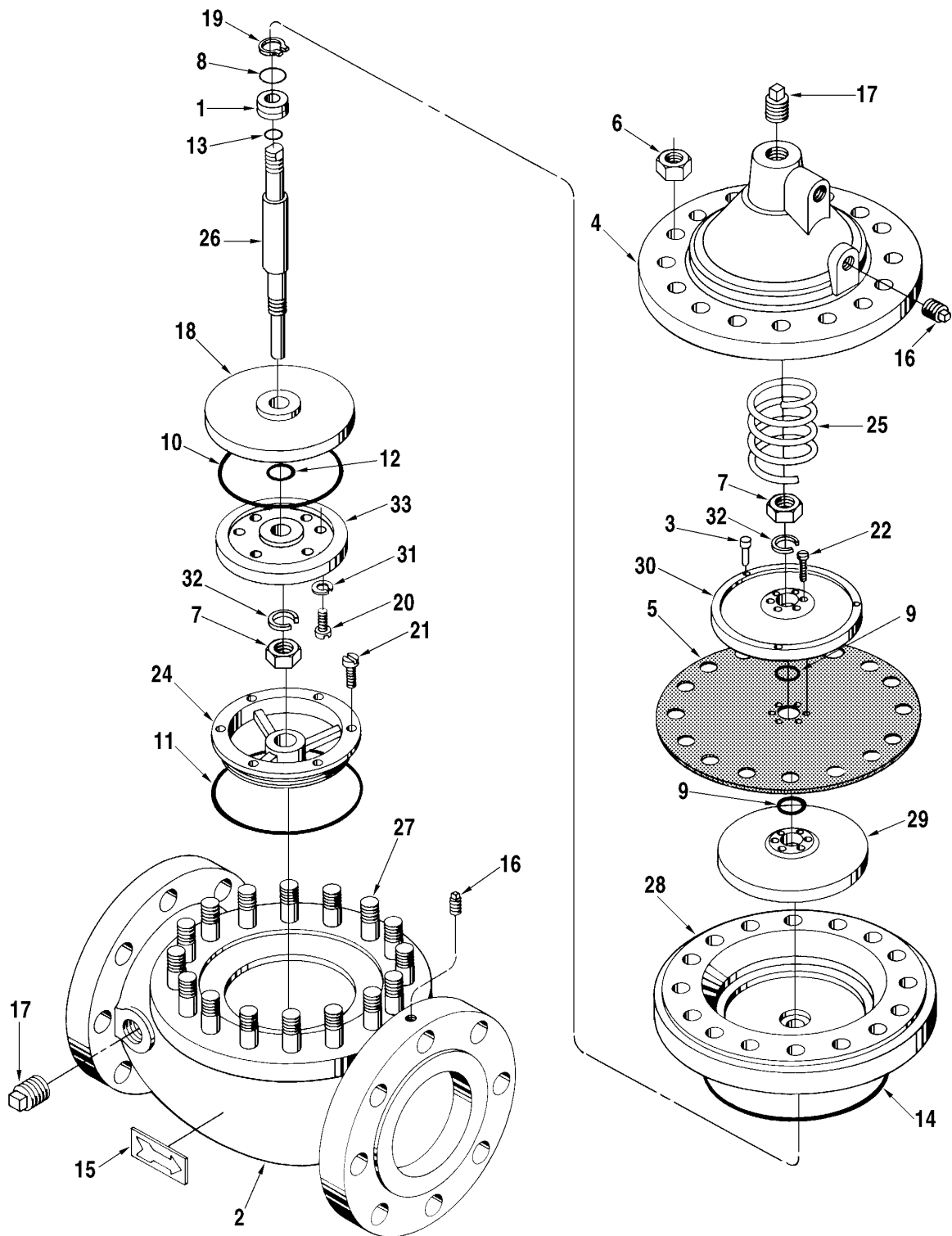
# Valve, Hydraulic Power Chamber, Model 200PC, 10-inch

Bulletin P003036 Issue/Rev. 0.0 (5/15)

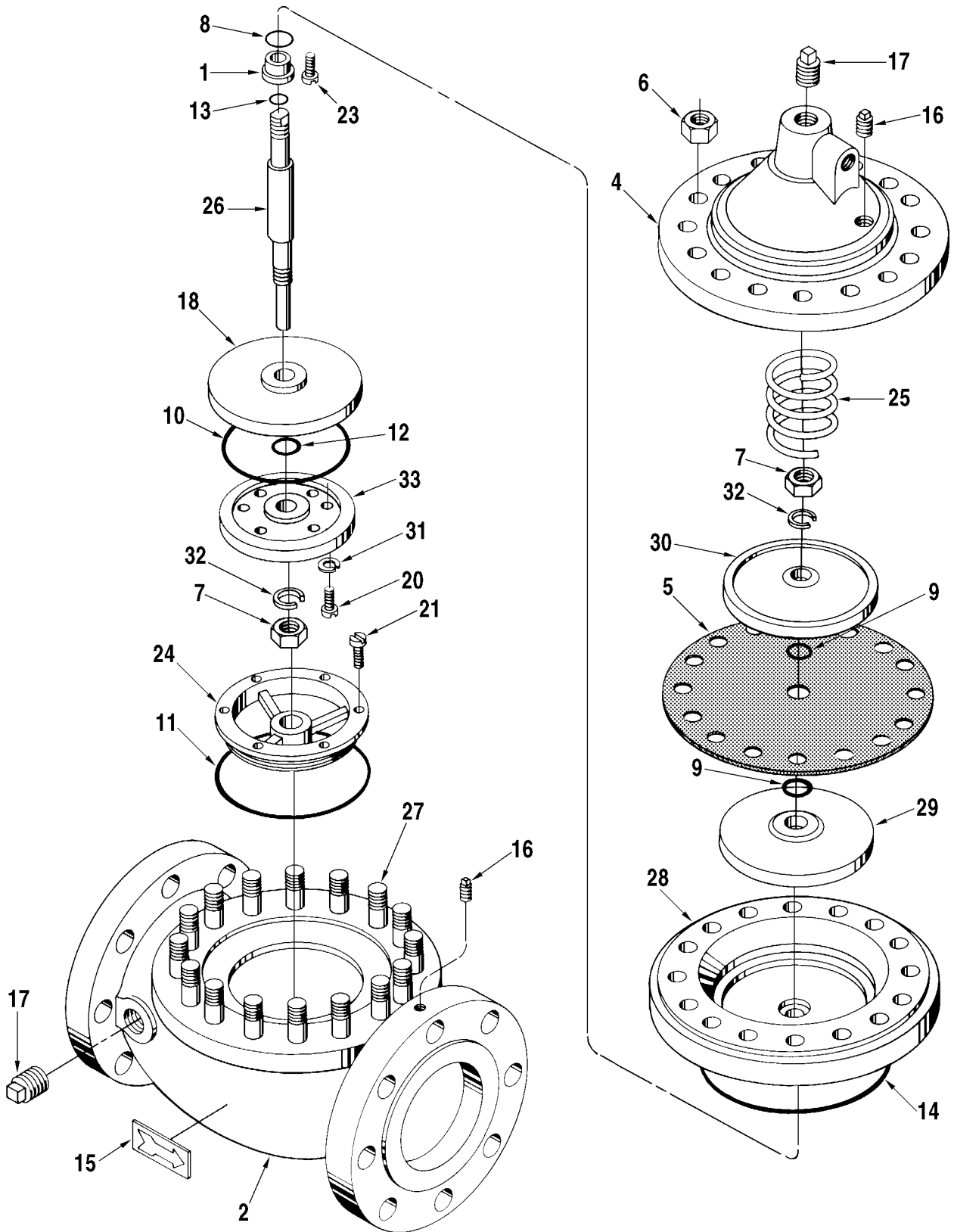
**FMC**Technologies

We put you first.  
And keep you ahead.

## Current Design



Previous Design



Item		Description	Quantity	Part Number	
				Current Design	Previous Design
1	R	Bearing	1	Note 1	
2	R	Body	1	Note 1	
3	R	Button, Rest	3	Note 1	-----
4	R	Cover	1	Note 1	
5	+R	Diaphragm, Buna-N	1	528239-001	Note 1
6		Nut, Hex, 3/4"-10, SF	20	642138-406	642138-406
7		Nut, Jam			
	R	1-3/8"-12, UNF	2	Note 1	-----
	R	1-1/2"-12, UNF	2	-----	Note 1
8	+R	O-Ring, Bearing, Buna-N	1	641070-420	640887-431
9	+	O-Ring, Diaphragm:			
	R	Buna-N	2	640888-009	Note 1
		Viton	2	640894-404	640894-450
10	+R	O-Ring, Retainer, Buna-N	1	642589-416	
11	+	O-Ring, Seat:			
		Buna-N	1	641069-460	
		Viton	1	640894-443	
12	+	O-Ring, Stem:			
		Buna-N	1	640888-004	640173-023
		Viton	1	640894-406	640894-403
13	+R	O-Ring, Stem/Bearing, Buna-N	1	641471-415	Note 1
14	+R	O-Ring, Wafer, Buna-N	1	641471-409	
15		Plate, Arrow	1	508553-001	
16		Plug, Pipe, 1/8" NPT	3	644522-401	006073-002
17		Plug, Pipe, 3/4" NPT	6	006878-002	
18	R	Retainer, O-Ring	1	Note 1	
19	R	Ring, Retaining	1	Note 1	-----
20		Screw, 3/8-16 x 7/8"	6	643152-403	
21		Screw, 1/4-20 x 1/2"	6	643908-401	
22		Screw, 3/8-16 x 1"	6	006474-401	-----
23		Screw, 1/4-20 x 1/2"	2	-----	641526-401
24	R	Seat	1	Note 1	
25	R	Spring	1	Note 1	
26	R	Stem	1	Note 1	
27	R	Stud	20	Note 1	
28	R	Wafer, Insert	1	Note 1	
29	R	Washer, Bottom Diaphragm	1	Note 1	
30	R	Washer, Top Diaphragm	1	Note 1	
31		Washer, Lock, 3/8"	6	643164-402	
32		Washer, Lock:			
	R	1-3/8"	2	Note 1	-----
	R	1-1/2"	2	-----	Note 1
33	R	Washer, Seal	1	Note 1	
	+	Recommended stock.			
	R	Indicates change since last revision.			
Note 1		Not available as spare part.			



**We put you first.  
And keep you ahead.**

**Revisions included in P003036 Issue/Rev. 0.0 (5/15):**

Replaced P1050.10X which has been made obsolete. Rebranding and reformatting Nov. 2014. Removal of several part numbers, indicated by "R"; Addition of Note 1.

The specifications contained herein are subject to change without notice and any user of said specifications should verify from the manufacturer that the specifications are currently in effect. Otherwise, the manufacturer assumes no responsibility for the use of specifications which may have been changed and are no longer in effect.

Contact information is subject to change. For the most current contact information, visit our website at [www.fmctechnologies.com/measurementsolutions](http://www.fmctechnologies.com/measurementsolutions) and click on the "Contact Us" link in the left-hand column.