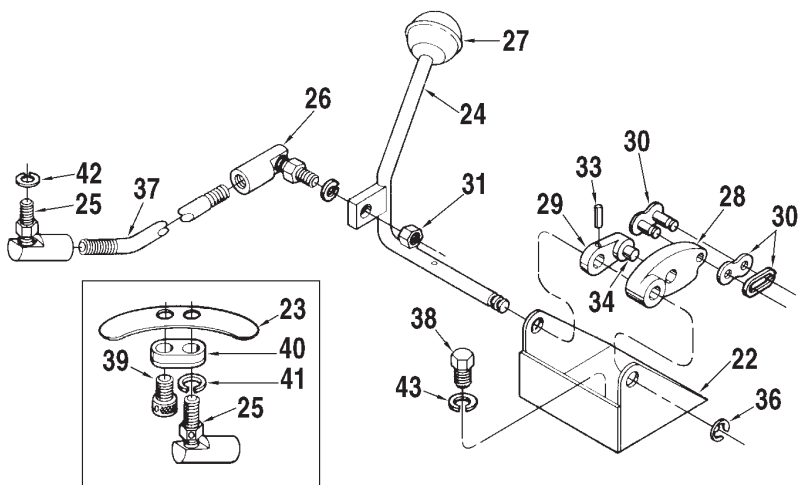


Faucet, Models MPG-3 and SPG-3

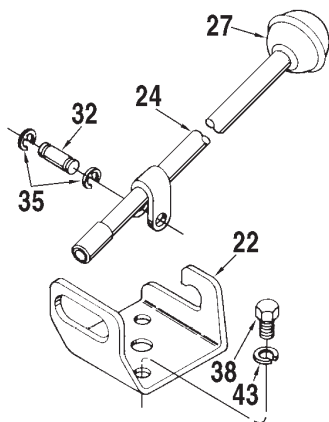
Bulletin P003039 Issue/Rev. 0.0 (10/15)



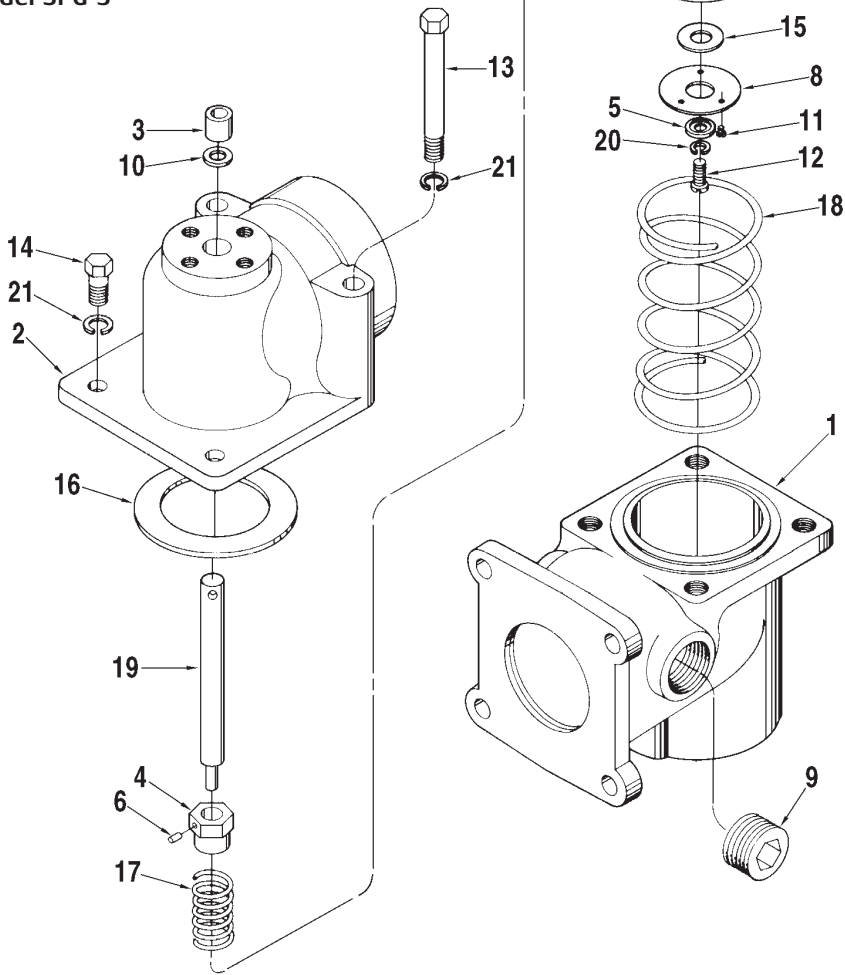
We put you first.
And keep you ahead.



Model SPG-3



Model MPG-3



Item		Description	Quantity	Part Number	
				MPG-3	SPG-3
1		Body, Inlet:			
		Standard	1	519778-001	519778-001
		Hi-Viscosity	1	519778-002	519778-002
2	R	Body, Outlet:			
		Standard NPT (Except PTFE ¹ Seals)	1	519761-001	519761-001
		BSP (Except PTFE ¹ Seals)	1	519761-011	519761-011
3		Bushing, Stem:			
		For Use With PTFE ¹ Seals	1	536470-002	536470-002
		All Others	1	012383-001	012383-001
4		Bushing	1	533474-001	533474-001
5		Disc	1	534641-001	534641-001
6		Pin, Groove, 1/8 x 3/4"	1	006127-002	006127-002
7	R	Piston:			
		Standard	1	519788-001	519788-001
		Standard, Hi-Viscosity	1	519788-002	519788-002
		PTFE ¹	1	519788-003	519788-003
8		Plate, Retaining	1	534643-001	534643-001
9		Plug, Pipe, 1/2" NPT	2	006105-002	006105-002
10	+	Seal:			
		Buna-N	1	011702-001	011702-001
		EPR	1	011702-002	011702-002
		Viton	1	011702-003	011702-003
		PTFE ¹	2	645487-401	645487-401
11		Screw, #4-40 x 3/16"	3	015603-400	015603-400
12		Screw, #10-32 x 3/8"	1	006045-002	006045-002
13		Screw, 7/16-14 x 3-1/4"	2	006654-002	006654-002
14		Screw, 7/16-14 x 1"	2	014168-400	014168-400
15	R+	Seat, Pilot:			
		Buna-N	1	534640-001	534640-001
		Viton	1	534640-002	534640-002
		Chemraz	1	536471-004	536471-004
16	R+	Seat, Piston:			
		Buna-N	1	519796-001	519796-001
		Viton	1	519796-002	519796-002
		Chemraz	1	537448-002	537448-002
17		Spring, Pilot	1	533085-001	533085-001
18		Spring, Piston	1	519812-001	519812-001
19		Stem:			
		For Use With PTFE ¹ Seals	1	533898-002	533898-002
		All Others	1	533898-001	533898-001
20		Washer, #10, Lock	1	642482-406	642482-406
21		Washer, 7/16", Lock	4	060225-001	060225-001

Item	Description	Quantity	Part Number	
22	Bracket:			
	For Use With PTFE ¹ Seals	1	012388-002	533260-002
	All Others	1	012388-001	533260-001
23	Cover, Smith Meter Preset Counters Only	1	-----	518126-001
24	Handle	1	070700-002	538952-001
25	Joint, Ball:			
	Smith Meter Preset	1	-----	643134-401
	Veeder Root Preset	1	-----	643134-402
26	Joint, Ball	1	-----	643134-403
27	Knob	1	006660-001	006660-001
28	Lever	1	-----	533899-001
29	Lever, Drive	1	-----	533900-001
30	Link, Connecting	1	-----	643377-401
31	Nut, 5/16-18 x 1/2"	1	-----	005292-400
32	Pin	1	533509-001	-----
33	Pin, Groove, 5/32 x 7/8"	1	-----	642390-403
34	Pin, Groove, 3/16 x 1"	1	-----	641007-003
35	Ring, Retaining	2	064123-001	-----
36	Ring, Retaining	2	-----	064150-001
37	Rod	1	-----	538936-001
38	Screw, 5/16-18 x 1/2":			
	MPG-3	2	004026-401	-----
	SPG-3	3	-----	004026-401
39	Screw, 5/16-24 x 5/8", Smith Meter Preset Counter Only	1	-----	643334-401
40	Spacer, Smith Meter Preset Counter Only	1	-----	519321-001
41	Washer, 5/16" Lock, Smith Meter Preset Counter Only	1	-----	002917-400
42	Washer, 1/4" Lock, Veeder Root Preset Counter Only	1	-----	002069-400
43	Washer, 5/16" Lock:			
	MPG-3	2	642482-407	-----
	SPG-3	3	-----	642482-407
	R	Indicates revision since last update.		
	+	Recommended stock.		

1 Polytetrafluoroethylene (PTFE).



**We put you first.
And keep you ahead.**

This publication number P003039 has been created to replace P1011.02X which has been made an OBSOLETE publication number. Revisions made to past document include removal of several obsolete part numbers.

The specifications contained herein are subject to change without notice and any user of said specifications should verify from the manufacturer that the specifications are currently in effect. Otherwise, the manufacturer assumes no responsibility for the use of specifications which may have been changed and are no longer in effect.

Contact information is subject to change. For the most current contact information, visit our website at www.fmctechnologies.com/measurementsolutions and click on the "Contact Us" link in the left-hand column.