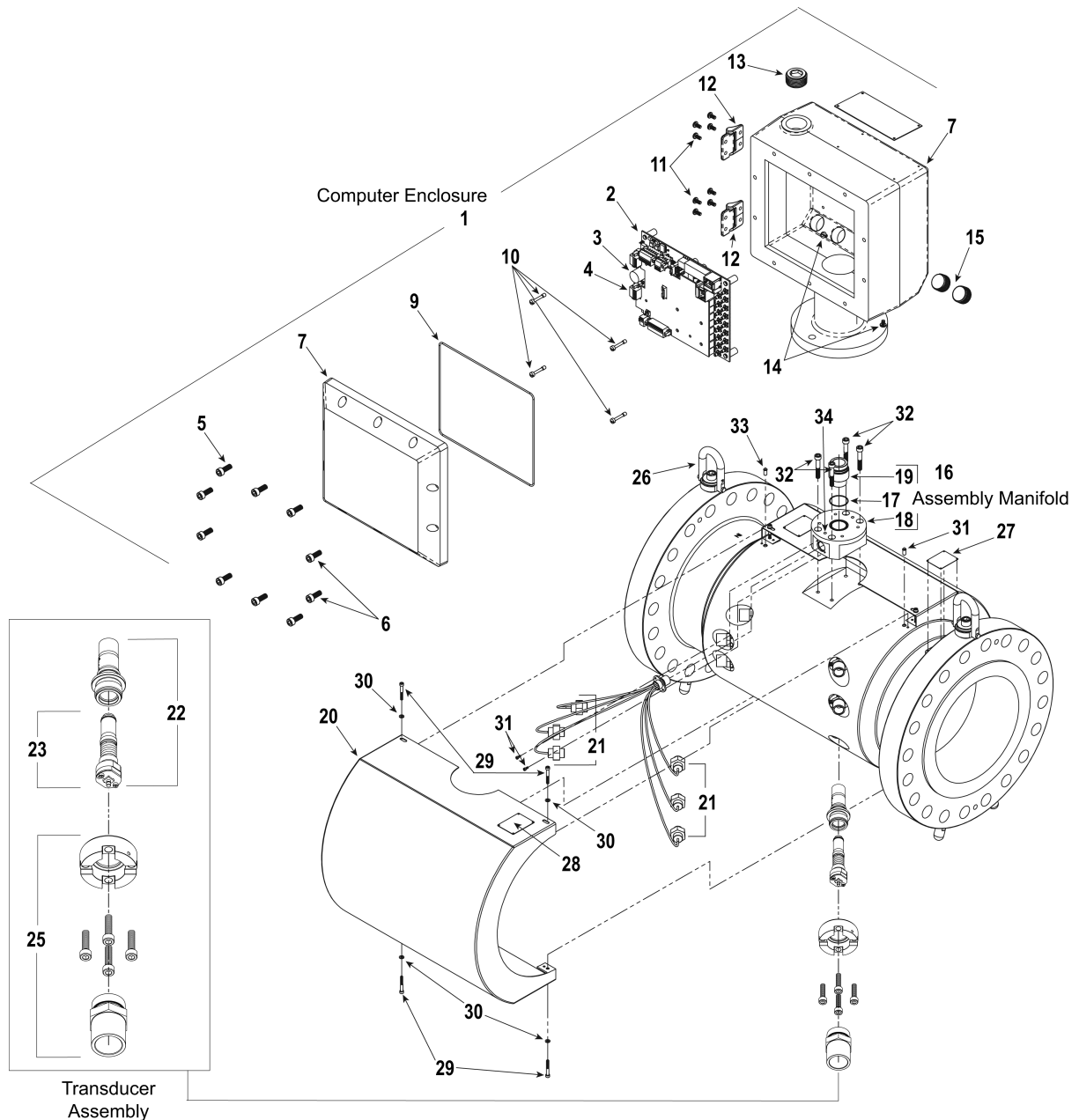


# Ultra™ Series Ultra 8c, Ultra 6c, and Ultra 4c Liquid Ultrasonic Meters

Bulletin POLS002 Issue/Rev. 0.2 (1/24)



Item	Note	Description	Quantity	Part Number
1		Computer Enclosure:		
		Aluminum	1	840001-101
		Stainless Steel	1	840001-102
2	1	Meter Control Board	1	236156-101
3		Screw C, M6, 1.0 x 20 mm	8	P8000007970
4		Screw, M4 7 x 8 LNG	8	644970-420
5		Screw, M4 7 x 6 LNG	2	644970-421
6		O-ring, Buna-N	As required	646050-402
7		Hinge	2	646106-402
8		Screw, M4 7 x 22 LNG	4	646212-408
9		Plug, 1/2 - 14 NPT:		
		Aluminum	4	647000-515
		Stainless Steel	4	647000-525
10		Plug, 3/4 - 14 NPT:		
		Aluminum	1	647000-516
		Stainless Steel	1	647000-526
11		Housing:		
		Aluminum	1	840001-001
		Stainless Steel	1	840001-002
12	3	Pad, Foam 1 x 1 x 1/4"	1	647001-443
13		Assembly, Manifold Mounting Block	1	840005-101
14		O-ring, Buna-N	1	640887-429
15		Block, Manifold Mounting	1	840005-001
16		Hub, Manifold Mounting Block	1	840005-002
17		Cover:		
		6"	2	840006-002
		8"	2	840006-003
		10"	2	840006-001
		12"	2	840006-004
		16"	2	840006-005
		18"	2	840006-006
		20"	2	840006-007
		24"	2	840006-008
		30"	2	840006-009
18		Assembly, Wired Manifold:		
		6" - 8"		
		Ultra 4c	2	840006-119
		Ultra 6c	2	840006-112
		Ultra 8c	2	840006-126
		10" - 12"		
		Ultra 4c	2	840006-120
		Ultra 6c	2	840006-113
		Ultra 8c	2	840006-127
		16" - 18"		
		Ultra 4c	2	840006-121
		Ultra 6c	2	840006-114
		Ultra 8c	2	840006-128
		20" - 24"		
		Ultra 4c	2	840006-122

Item	Note	Description	Quantity	Part Number
		Ultra 6c	2	840006-115
		Ultra 8c	2	840006-129
		30"		
		Ultra 4c	2	840006-123
		Ultra 6c	2	840006-116
		Ultra 8c	2	840006-130
		Transducer Components:		
19		Transducer Assembly:		
		MFT	1	P800005651
		LFT	1	P800005656
		HFT	1	870015-220
20	2	Inner Transducer Replacement Kit		
		KFT	1	P800005878
		LFT	1	P800006018
		HFT	1	P8000011098
21		Transducer Well		
		MFT	1	870015-020
		LFT	1	870015-040
		HFT	1	870015-219
22	1, 3	Transducer O-ring Kit		
		MFT	1	870000-001
		LFT	1	870015-046
		HFT	1	P8000011099
23		Adapters and Screws		
		MFT:		
		Adapter, Manifold		554481-101
		Adapter, Plate		870015-023
		Screw, M6 Cap 1.0 x 25		644970-415
		Screw, M2 Set 0.4 x 4		644970-403
		LFT:		
		Adapter, Manifold		554481-201
		Adapter, Transducer Coupling		870015-037
		Adapter, Plate		870015-022
		Screw, M8 Cap 1.25 X 20		644970-418
		Screw, M8 Cap 1.25 X 25		644970-419
		Screw, M2 Set 0.4 X 4		644970-403
		HFT:		
		M6 Adapter		P8000008855
		M4 Adapter		870015-224
		Screw, M6 Low Profile 1 x 12		P8000008857
		Screw, M4		P8000006778
		Screw, M2.5 x 0.4		P8000006782
24		Ring, Center-Pull Hoist:		
		M24 x 3.0	2	655425-413
		M30 x 3.5	2	655425-414
		M16 x 2.0	2	655425-415
25		Nameplate	1	568006-004
26		Nametag	1	568006-010
27		Screw, M6 1 x 45 SS Socket Head	8	646999-001

Item	Note	Description	Quantity	Part Number
28		Wasther	8	646999-002
29		Screw, M14 07 x 10 Socket Head	4	646999-003
30		Screw, M10 1.5 x 60 SS Socket Head	4	646999-004
31		Pin	4	646999-005
32		Screw, M8 1.25 x 25 SS Socket Head	2	646999-006
33	2	Coax Torque Tool	As required	P8000005191
34	2	Replacement UMCB Fuse	1	P8000006435
35	2	Replacement Terminal Plug Kit	1	P8000005165
36	3	Synthetic Sight-Glass Fluid	As required	P8000005877
37	3	Screw, Seal, M6 x 1.0 x 20 mm	2	P8000007847
38	3	Display, Series C LCD Cover Stainless Steel	1	P570345
39	3	Display, Series C LCD Cover Aluminum	1	P80000019647

Note	Description
1	Recommended commissioning spares
2	Recommended capital spares
3	Not illustrated
4	As required



The specifications contained herein are subject to change without notice and any user of said specifications should verify from the manufacture that the specifications are currently in effect. Otherwise, the manufacturer assumes no responsibility for the use of specifications which may have been changed and are no longer in effect.

**TechnipFMC.com**

Copyright © 2023 TechnipFMC plc. All rights reserved.

TechnipFMC Corporate Headquarters  
13460 Lockwood Road  
Building S01  
Houston, TX 77044 USA  
+1 281.591.4000

USA Operations  
1602 Wagner Avenue  
Erie, PA 16510 USA  
+1 814.898.5000

Germany Operations  
Smith Meter GmbH  
Regentstrasse 1  
25474 Ellerbek, Germany  
+49 4101 304.0