

Diaphragm Operated Two-way Single Port Valves – Series 468, Ductile Body

Bulletin SSIN053 Issue/Rev. 0.0 (11/16)



**We put you first.
And keep you ahead.**

The INVALCO Series 468 Valve is perfect for use as a fuel regulating valve for precise burner controls. Suitable applications include thermostat service, fuel shut-off, for oil, gas, glycol, and distillate service.

Features

- » **Soft Plug**
Assures tight shutoff.
- » **Adjustable Spring**
Meets various application demands.
- » **Nace Adaptable**
Can be modified for use in sour service.



Series 468 Single Port Valve, Ductile Body

Ordering Information							
Size	Model	Max W.P.	Trim	Full Open		Part No.	Weight (lb)
				Cv	Cg		
¾"	DSG-7501B-468	150 psi	Stainless Steel Throttling Buna-N Insert ¾" Orifice*	6	160	80004509	10
1"	DSG-101B-468	150 psi	Stainless Steel Throttling Buna-N Insert 1" Orifice*	12	350	80004303	10

Standard Specifications

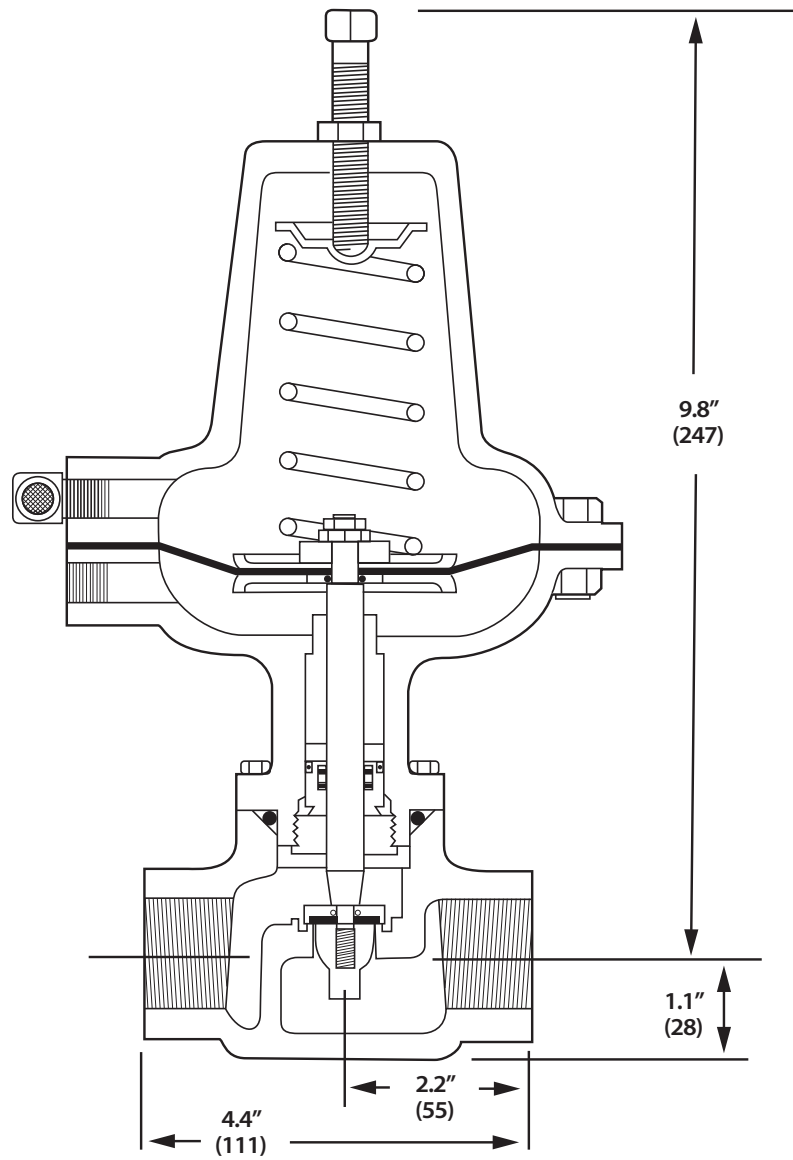
Body Material	Ductile Iron A-395
Body Cover/Lower Diaphragm Case	Ductile Iron A-395
End Connections	¾" or 1" FNPT
Diaphragm Operator	<ul style="list-style-type: none"> – Upper diaphragm case cast aluminum. – Diaphragm: 10 sp. in. of nylon reinforced Buna-N diaphragm. – Maximum working pressure 70 psi. – Maximum containment pressure 100 psi.

Standard Specifications - continued

Packing	Standard O-Ring, Buna-N
Maximum Working Pressure	150 psi
Temperature Limits	-20°F to 250°F
Stem Material	303 Stainless Steel

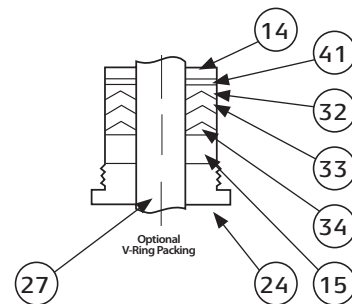
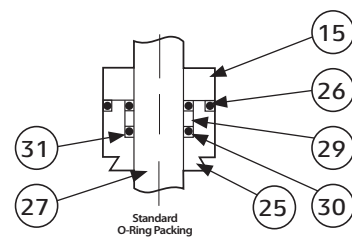
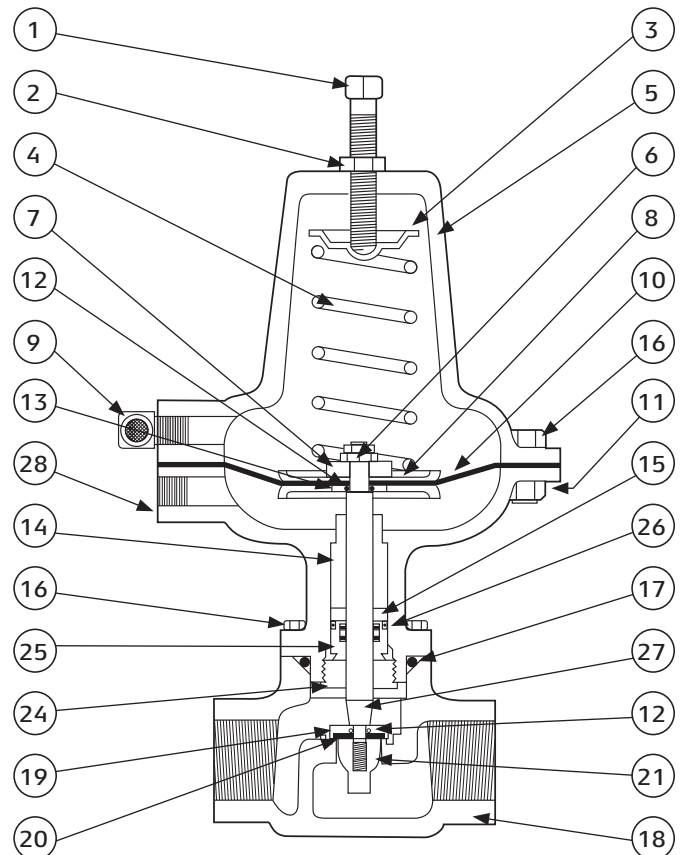
- NOTES:
1. Cv and Cg values are for fully open inner valve.
 3. Part numbers applicable only when valve desired is exactly as described above.
 4. To order specify Model Number, Part Number, Trim Description.
 5. See attached parts list.

Dimensions - Inches (mm)



Dimensions -- Inches to the nearest tenth (millimeters to the nearest whole mm), each independently dimensioned from engineering drawings.

Parts				
Item	N	Description	Qty.	Part No.
1		Screw 3/8"-16x2-1/2 SQHSS		65003335
2		Nut 3/8"-16 Hex Jam		65008477
3		Upper Spring Rest		45003556
4	*	Spring		45008532
5		Upper Diaphragm Case		45003286
6		Nut 1/4"-28 Flexloc		65003530
7		Spring Guide		45005769
8		Diaphragm Plate	2	45003464
9		1/4" Bleeder Filter		45002612
10	*	Diaphragm		45004053
11		Nut 5/16-18 Hex	8	65002100
12	*	O-Ring BUN-010-90	2	67101327
13		Washer	2	45003186
14		Stem Guide		45006577
15		Packing Washer		45005478
16		Screw 5/16-18x7/8 HHCS	12	65004543
17	*	O-Ring BUN-226-90		67101534
18		Body DSG-7501B (3/4" Orifice)		45009798
		Body DSG-101B (1" Orifice)		45009796
19	*	Plug (3/4" Orifice)		45005417
		Plug (1" Orifice)		45005404
20	*	Seal (3/4" Orifice) Buna		45005418
		Seal (3/4" Orifice) Polytetrafluoroethylene (PTFE)		44512318
		Seal (1" Orifice) Buna		45005405
		Seal (1" Orifice) Polytetrafluoroethylene (PTFE)		45012345
21		Throttle Nose (3/4" Orifice)		45010175
		Throttle Nose (1" Orifice)		45010202
24		Packing Nut		45005476
25	+	Packing Bushing		45005479
26	*+	O-Ring BUN-115-90		67101531
27		Stem		45005768
28		Body Cover		45005480
29	+	Packing Spacer		45005481
30	+	O-Ring BUN-012-90	2	67102312
31	+	Backer Ring	2	79005484
Optional V-Ring Packing (Replacement Parts Only)				
32		Polytetrafluoroethylene (PTFE) V-Ring 3/8" x 7/8" (top)		79012434
33		Polytetrafluoroethylene (PTFE) V-Ring 3/8" x 7/8" (middle)	3	79012435
34		Polytetrafluoroethylene (PTFE) V-Ring 3/8" x 7/8" (bottom)		79012436
35		Washer		65004234



Parts Key

* Recommended spare parts.



**We put you first.
And keep you ahead.**

The specifications contained herein are subject to change without notice and any user of said specifications should verify from the manufacturer that the specifications are currently in effect. Otherwise, the manufacturer assumes no responsibility for the use of specifications which may have been changed and are no longer in effect.

USA Operation
1602 Wagner Avenue
Erie, Pennsylvania 16510 USA
P: +1 814.898.5000

FMC Technologies
Measurement Solutions, Inc.
500 North Sam Houston Pkwy West,
Suite 100
Houston, TX 77067 USA
P: +1 281.260.2190

SSIN053 replaces former publication number SSIV008.

www.fmctechnologies.com/measurementsolutions

© 2016 FMC Technologies. All rights reserved. SSIN053 Issue/Rev. 0.0 (11/16)