

# Diaphragm Operated Two-way Single Port Valves – Series 470, Steel Body

Bulletin SSIN054 Issue/Rev. 0.1 (1/19)

The **INVALCO Series 470 Valve** is perfect for use when precise burner control is required. Suitable applications include thermostat service or fuel shut-off for oil, gas, glycol, and distillate service.

## Features

- **Soft Plug** – Assures bubble tight shut-off.
- **Adjustable Spring** – Meets various application demands.
- **Steel Body** – Meets most application requirements.
- **RNCE Adaptable** – Can be modified for use in sour service.



## Standard Specifications

### Body Material

Carbon Steel

### End Connections

3/4" and 1" FNPT

### Maximum Working Pressure

275 psi

### Temperature Limits

-20°F to 250°F

### Body Cover

18-8 Stainless

### Diaphragm Operator

- Case: Cast aluminum
- Diaphragm: Nylon Reinforced Buna N
- Area: 10 sq. in.
- Maximum Recommended Operating Pressure: 70 psi
- Maximum Containment Pressure: 100 psi

### Packing

Standard O-Ring, Buna N

### Stem Material

303 Stainless Steel

### Plug and Seat

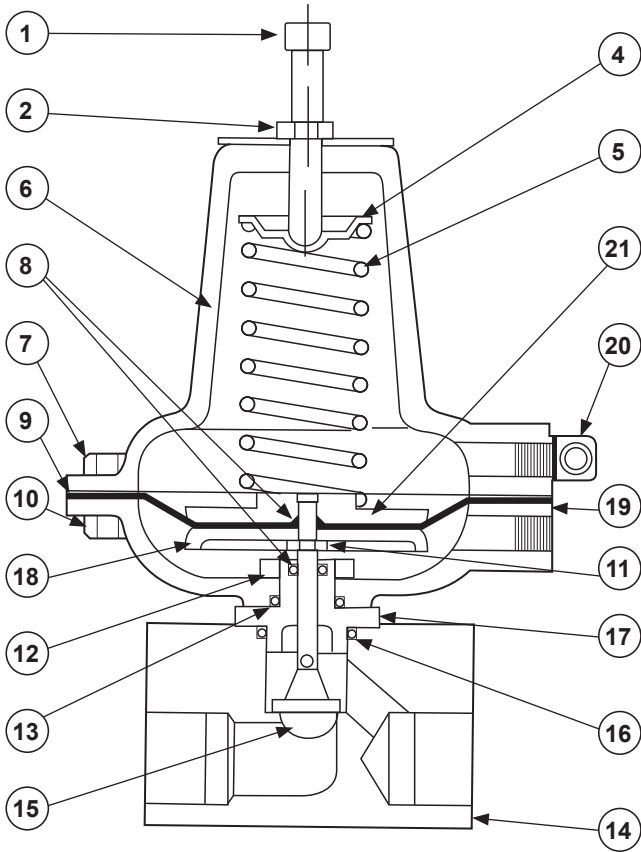
Soft Seat

### Maximum Differential Pressure

- Flow-Over-the-Seat: 50 psi
- Flow-Under-the-Seat: 100 psi

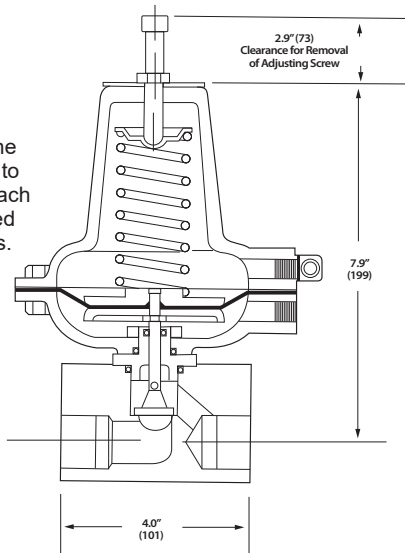
## Ordering Information

Size	Model	Max W.P.	Full Open		Part No.	Weight (lb)
			Cv	Cg		
3/4"	DSG-7501-470	275 psi	3.3	96	80004506	10
1"	DSG-101-470	275 psi	3.3	96	80004302	10



### Dimensions – Inches (mm)

Dimensions – Inches to the nearest tenth (millimeters to the nearest whole mm), each independently dimensioned from engineering drawings.



### Parts

Item	N	Description	Qty.	Part No.
1		Screw 3/8-16 x 2-1/2 SHSS	1	65003335
2		Nut 3/8-16 Hex Jam	1	65008477
4		Upper Spring Rest	1	45003556
5	*	Spring	1	45008532
6		Upper Diaphragm Case	1	45003286
7		Screw 5/6-18 x 3/4 HHCS	8	65002073
8	*	O-Ring BUN-010-90	2	67101327
9	*	Diaphragm	1	45004053
10		Nut 5/16 - 18 Hex	8	65002100
11		Nut 1/4 - 28 Jam	1	65011436
12		Nut (DSG - 7501)	1	45003184
		Nut (DSG - 101)	1	65003917
13	*	O-Ring BUN-113-90	1	67101636
14		Body (DSG - 7501)	1	45003565
		Body (DSG - 101)	1	45009993
15	*	Stem and Plug	1	45004222
16	*	O-Ring BUN-212-90	1	57102151
17		Body Cover	1	45003225
18		Lower Diaphragm Plate	1	45003464
19		Lower Diaphragm Case	1	45003287
20		1/4" NPT Bleeder	1	45002612
21		Upper Diaphragm Plate	1	45003342

### Parts Key

\*Recommended spare parts.

The specifications contained herein are subject to change without notice and any user of said specifications should verify from the manufacturer that the specifications are currently in effect. Otherwise, the manufacturer assumes no responsibility for the use of specifications which may have been changed and are no longer in effect.