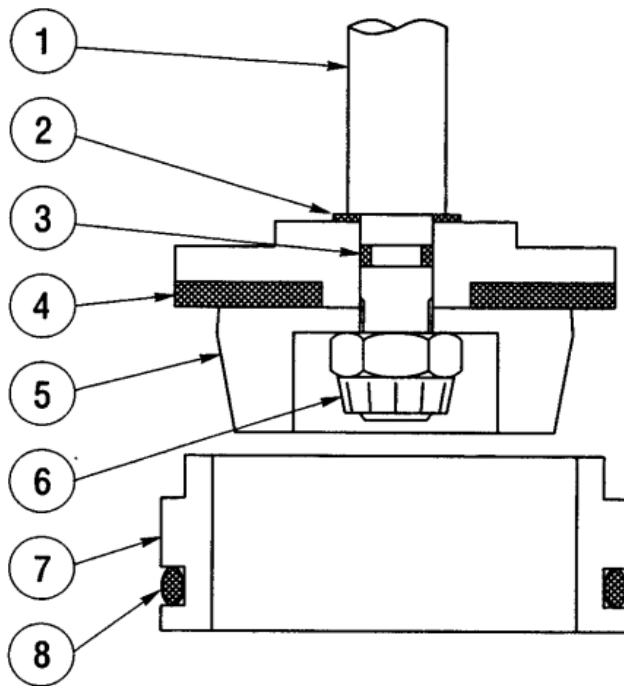


Invalco Series 415 and 416 Valve Trim Set

Bulletin SSI028 Issue/Rev. 0.5 (5/26)

Ordering Information



Replacement Series 415 and 416 trim components should be ordered individually using the chart below.

Item	Notes	Description	Quantity	Part Number
1		Stem, 303 Stainless (Standard) - 415 only	1	45001936
		Stem, 316 Stainless - 415 only	1	45010549
		Stem, 303 Stainless (Standard) - 416 only	1	45011947
		Stem, 316 Stainless - 416 only	1	45015607
2		Copper Basket (Pre-1994 Stems)	1	45001942
3		O-Ring, BUN-010-90 (Standard) (Post 1994 Stems)	1	67101327
		O-Ring, VIT-010-90 (Post 1994 Stems)	1	67306110

Item	Notes	Description	Quantity	Part Number
4		Plug, Viton on 416 Stainless	1	45001851
		Plug, Viton on 316 Stainless	1	45015609
5	*	Throttle Nose, 1-1/4" 303 Stainless (Standard)	1	45015538
		Throttle Nose, 1-1/4" 316 Stainless	1	45015615
		Throttle Nose, 1-3/4" 303 Stainless (Standard)	1	45015539
		Throttle Nose, 1-3/4" 316 Stainless	1	45015617
6		Nut, 3/8-24 Thin Flexloc	1	65003075
7		Seat Ring, 1-1/4" 303 Stainless (Standard)	1	45003161
		Seat Ring, 1-1/4" 316 Stainless	1	45015614
		Seat Ring, 1-3/4" 303 Stainless (Standard)	1	45006687
		Seat Ring, 1-3/4" 316 Stainless	1	45010607
8		O-Ring, BUN-226-90 (Standard)	1	67101534
		O-Ring, VIT-226-75	1	67307580

NOTE: Omit throttle nose for quick opening trim.

The specifications contained herein are subject to change without notice and any user of said specifications should verify from the manufacture that the specifications are currently in effect. Otherwise, the manufacturer assumes no responsibility for the use of specifications which may have been changed and are no longer in effect.

USA
1602 Wagner Avenue
Erie, PA 16510 USA
+1 814.898.5000

Corporate Headquarters
5825 North Sam Parkway West
Suite 120
Houston, TX 77086 USA

Germany
Regentstrasse 1
25474 Ellerbek, Germany
+49 4101 304.0

[GuidantMeasurement.com](https://www.GuidantMeasurement.com)
© 2026 Guidant Corporation
All rights reserved.