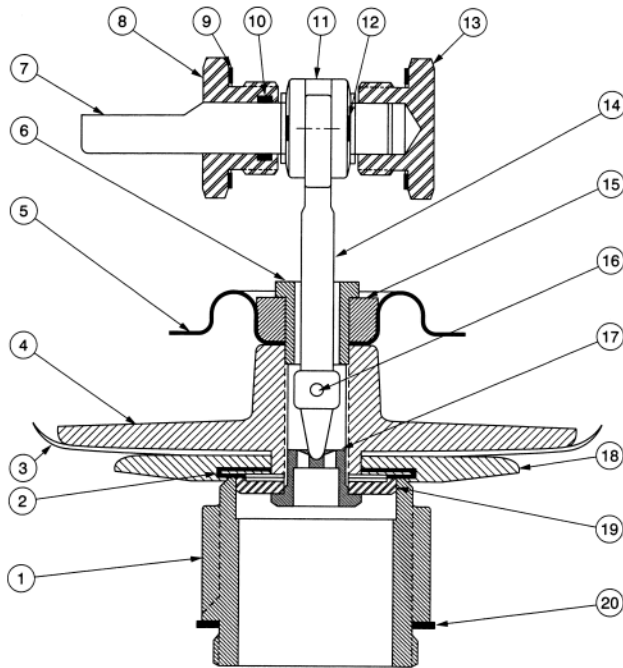


Invalco Series 442 Valve Trim Sets

Bulletin SSI036 Issue/Rev. 0.2 (5/26)

Ordering Information



Item	Description	Quantity	LDSA-201 Part Number	LDA-301 LDA-401 Part Number
14	Valve Stem	1	45001822	45002116
15	Diaphragm Retainer	1	45001819	45002118
16	Lift Pin	1	45002214	45002119
17	Equalizing Plug	1	45001821	45001821
18	Lower Diaphragm Plate	1	45001812	45002112
19	Retaining Washer	1	45001823	45002121
20	Seat Gasket	1	45016176	45001224

NOTE: To order, specify part number.

Item	Description	Quantity	LDSA-201 Part Number	LDA-301 LDA-401 Part Number
1	Seat	1	45011811	45003113
2	Seat Insert	1	45001824	45002120
3	Lower Diaphragm	1	45001813	45002109
4	Upper Diaphragm Plate	1	45001814	45002108
5	Upper Diaphragm	1	45001877	45002032
6	Diaphragm Screw	1	45001820	45002117
7	Lever Stem	1	45001816	45002125
8	Stuffing Box	1	45001818	45002124
9	Gasket	1	45016178	45013386
10	O-Ring	1	67101304	67101263
11	Hinge	1	45001817	45002114
12	Hinge Pin	1	45002880	79015295
13	Bushing	1	45001815	45002123

The specifications contained herein are subject to change without notice and any user of said specifications should verify from the manufacture that the specifications are currently in effect. Otherwise, the manufacturer assumes no responsibility for the use of specifications which may have been changed and are no longer in effect.

USA
1602 Wagner Avenue
Erie, PA 16510 USA
+1 814.898.5000

Corporate Headquarters
5825 North Sam Parkway West
Suite 120
Houston, TX 77086 USA

Germany
Regentstrasse 1
25474 Ellerbek, Germany
+49 4101 304.0

[GuidantMeasurement.com](https://www.GuidantMeasurement.com)
© 2026 Guidant Corporation
All rights reserved.