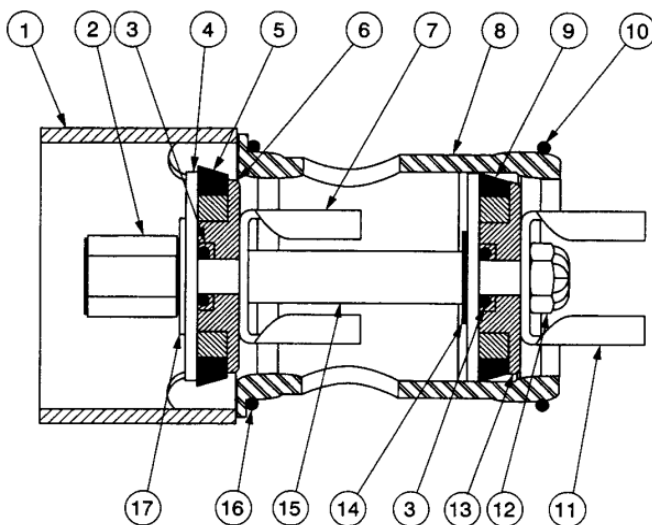


# Invalco 2-, 3-, 4-, and 6-Inch Series 455 and 510 Valve Trim Set

Bulletin SSIV037 Issue/Rev. 0.5 (5/26)

## Ordering Information for 2, 3, and 4-Inch

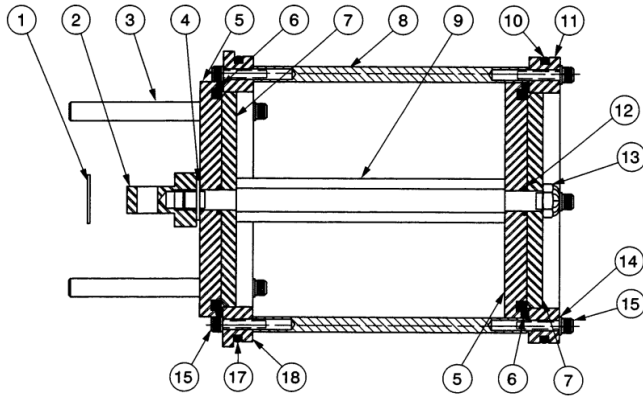


Trim set part number includes all parts shown.  
Individual components parts may be ordered from the following chart.

Item	Description	Quantity	DF*-201 Part Number	DF*-301/401 Part Number
	Complete Trim Set		83000112	83000113
1	Space Cage	1	45002431	45003389
2	Stem Connector	1	45010518	45010521
3	O-Ring	2	67101532	67101408
4	Lower Washer	2	45002436	45003392
5	Upper Seal	1	45002423	45003359
6	Upper Seal Washer	1	45002432	45003390
7	Upper Stem Guide	1	45002434	45003384
8	Seat Cage	1	45016100	45016102
9	Lower Seal	1	45002424	45003359
10	O-Ring	1	67101530	67102331
11	Lower Stem Guide	1	45002435	45003386
12	Nut, Thin Flexloc	1	65003075	65003402
13	Lower Seal Washer	1	45002433	45003395
14	.005 Shim	AR	45012494	45012496
	.001 Shim	AR	45011336	45016285
15	Stem	1	45002429	45003358
16	O-Ring	1	67101530	67101736
17	Washer Tooth	1	65004401	65005389

**NOTE:** \*Placeholder can be A or G.

## Ordering Information for 6-Inch



Trim set part number 83000162 includes all parts shown. Individual component parts may be ordered from the following table.

Item	Description	Quantity	Part Number
1	Washer, 1/2 Tooth Lock	1	65005389
2	Stem Adapter	1	45006273
3	Upper Cage Pin	4	45006275
4	Washer, 3/8 Tooth Lock	1	65004401
5	Plug Body	2	45006270
6	O-Ring, VIT-346-75	2	67306345
7	Plug Cap	2	45006271
8	Cage Pin	4	45006274
9	Lower Stem	1	45006272
10	O-Ring, BUN-253-90	1	67106465
11	Lower Seat	1	45006268
12	O-Ring, BUN-110-90	2	67101532
13	Nut, 3/8-24 Flexloc	1	65003075
14	Washer, 1/4 Spring Lock	8	65006386
15	Screw, 1/4-20 SHCS	12	65006180
16	Upper Seat	1	45006269
17	O-Ring, BUN-254-90	1	67106178

The specifications contained herein are subject to change without notice and any user of said specifications should verify from the manufacture that the specifications are currently in effect. Otherwise, the manufacturer assumes no responsibility for the use of specifications which may have been changed and are no longer in effect.

USA  
 1602 Wagner Avenue  
 Erie, PA 16510 USA  
 +1 814.898.5000

[GuidantMeasurement.com](http://GuidantMeasurement.com)  
 © 2026 Guidant Corporation  
 All rights reserved.

Corporate Headquarters  
 5825 North Sam Parkway West  
 Suite 120  
 Houston, TX 77086 USA

Germany  
 Regentstrasse 1  
 25474 Ellerbek, Germany  
 +49 4101 304.0