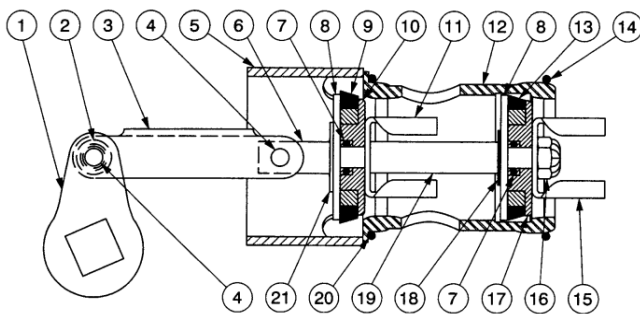


Invalco 2-, 3-, 4-, and 6-Inch Series 524 and 529 Valve Trim Sets

Bulletin SSIV039 Issue/Rev. 0.5 (5/26)

Ordering Information for 2-, 3-, and 4-Inch

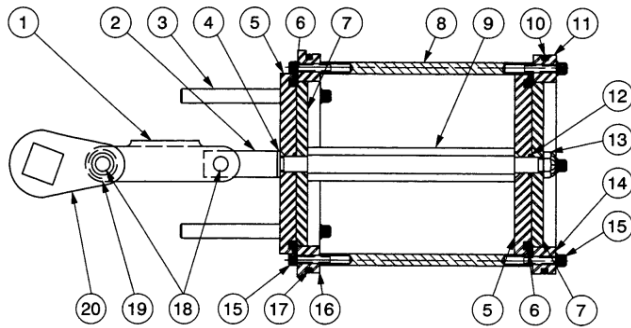


Trim set part number includes all parts shown.

Individual component parts may be ordered from the following table.

Item	Description	Quantity	LF*-201 Part Number	LF*-301/401 Part Number
	Complete Trim Set		83000108	83000109
1	Upper Hinge	2	45002437	45003381
2	Hinge Spacer	1	45002425	45003382
3	Lower Hinge	1	45002427	45003383
4	Hinge Pin	2	45002428	45003387
5	Spacer Cage	1	45002431	45003389
6	Stem Connector	1	45002426	45003388
7	O-Ring	2	67101532	67101408
8	Lower Washer	2	45002433	45003392
9	Upper Seal	1	45002423	45003359
10	Upper Seal	1	45002436	45003390
11	Upper Stem Guide	1	45002434	45003384
12	Seat Cage	1	45016100	45016102
13	Lower Seal	1	45002424	45003359
14	O-Ring	1	67101530	67102331
15	Lower Stem Guide	1	45002435	45003386
16	Nut, Thin Flexloc	1	65003075	65003402
17	Lower Seal Washer	1	45002436	45003395
18	.005 Shim	AR	45012494	45012496
	.010 Shim	AR	45011336	45012685
19	Stem	1	45002429	45003385
20	O-Ring	1	67101530	67101736
21	Washer Tooth Lock	1	65004401	65005389

Ordering Information for 6-Inch



Trim set part number 83000114 includes all parts shown.

Individual component parts may be ordered from the following table.

Item	Description	Quantity	Part Number
1	Lower Hinge	1	45003383
2	Stem Connector	1	45011835
3	Upper Cage Pin	4	45006275
4	Washer, 3/8 Tooth Lock	1	65004401
5	Plug Body	2	45006270
6	O-Ring, VIT-346-75	2	67306345
7	Plug Cap	2	45006271
8	Cage Pin	4	45006274
9	Lower Seal	1	45006272
10	O-Ring, BUN-253-90	1	67106465
11	Lower Seat	1	45006268
12	O-Ring, BUN-110-90	2	67101532
13	Nut, 3/8-24 Flexloc	1	65003075
14	Washer, 1/4 Spring Lock	8	65006386
15	Screw, 1/4-20 SHCS	12	65006180
16	Upper Seat	1	45006269
17	O-Ring, BUN-254-90	1	67106178
18	Hinge Pin	2	45003387
19	Spacer Hinge	1	45003382
20	Upper Hinge	2	45003381

The specifications contained herein are subject to change without notice and any user of said specifications should verify from the manufacture that the specifications are currently in effect. Otherwise, the manufacturer assumes no responsibility for the use of specifications which may have been changed and are no longer in effect.

USA
1602 Wagner Avenue
Erie, PA 16510 USA
+1 814.898.5000

Corporate Headquarters
5825 North Sam Parkway West
Suite 120
Houston, TX 77086 USA

Germany
Regentstrasse 1
25474 Ellerbek, Germany
+49 4101 304.0

GuidantMeasurement.com
© 2026 Guidant Corporation
All rights reserved.