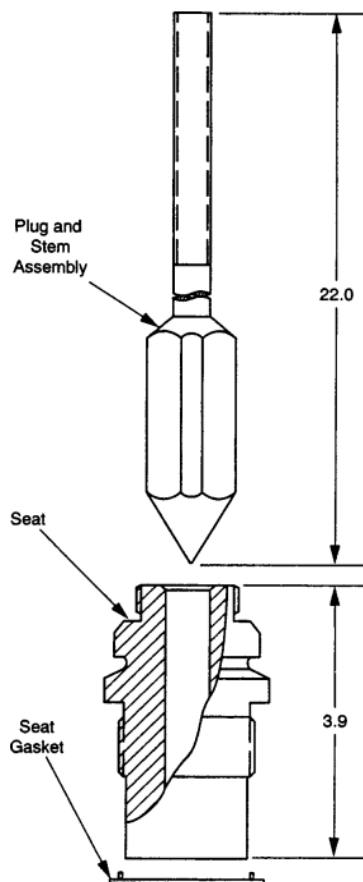


Invalco Series 546 and 548 Valve Trim Set

Bulletin SSIV041 Issue/Rev. 0.5 (5/26)

Ordering Information for Series 546

The following trim sets fit INVALCO Model WDKLNSSA-265-546 and WDKLNBVA-265-546 long nose diaphragm chokes.

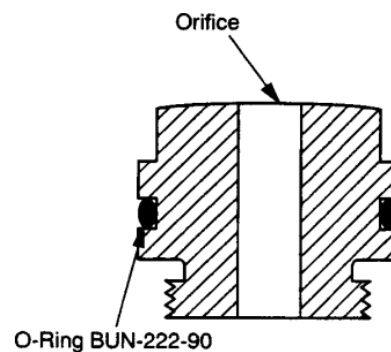


Size	Material	Part Number
1/2"	Polished 303 Stainless Steel Stem	83000103
3/4"	Hardened 416 Stainless Steel	83000104
1"	Plug and Seat	83000106

NOTE: The trim sets listed above contain the parts shown above. A 1-13/16" thin walled deep socket is required to install seat in body.

Ordering Information for Series 548

The following orifices fit INVALCO Model KPSA-160-548, KPSA-230-548, and KPBVA-230-548 positive chokes.



Size	Material	Part Number
1/8"	316 Stainless Steel	49002871
1/4"		49002869
3/8"		49002867
1/2"		49002866
5/8"		49002865

NOTE: It is recommended that O-ring BUN-222-90, Part Number 6710872 be replaced when a new orifice is installed.

NOTE: To order, specify part number.

The specifications contained herein are subject to change without notice and any user of said specifications should verify from the manufacture that the specifications are currently in effect. Otherwise, the manufacturer assumes no responsibility for the use of specifications which may have been changed and are no longer in effect.

USA
1602 Wagner Avenue
Erie, PA 16510 USA
+1 814.898.5000

Corporate Headquarters
5825 North Sam Parkway West
Suite 120
Houston, TX 77086 USA

Germany
Regentstrasse 1
25474 Ellerbek, Germany
+49 4101 304.0

[GuidantMeasurement.com](https://www.GuidantMeasurement.com)
© 2026 Guidant Corporation
All rights reserved.